

BALDOR® • **RELIANCE**

Product Information Packet

EM2559T-4

125HP, 1775RPM, 3PH, 60HZ, 405T, 4488M, OPSB, F

Part Detail							
Revision:	P	Status:	PRD/A	Change #:		Proprietary:	No
Type:	AC	Elec. Spec:	44WG047	CD Diagram:	CD0382	Mfg Plant:	
Mech. Spec:	44E195	Layout:	44LYE195	Poles:	04	Created Date:	08-06-2009
Base:	RG	Eff. Date:	07-06-2017	Leads:	6#6		

Specs			
Catalog Number:	EM2559T-4	KVA Code:	G
Enclosure:	OPSB	Lifting Lugs:	Standard Lifting Lugs
Frame:	405T	Locked Bearing Indicator:	Locked Bearing
Frame Material:	Steel	Motor Lead Quantity/Wire Size:	6 @ 6 AWG
Output @ Frequency:	125.000 HP @ 60 HZ	Motor Lead Exit:	Ko Box
Synchronous Speed @ Frequency:	1800 RPM @ 60 HZ	Motor Lead Termination:	Flying Leads
Voltage @ Frequency:	460.0 V @ 60 HZ	Motor Type:	4488M
Agency Approvals:	CSA	Mounting Arrangement:	F1
	CSA EEV	Power Factor:	86
	UR	Product Family:	General Purpose
Auxillary Box:	No Auxillary Box	Pulley End Bearing Type:	Ball
Auxillary Box Lead Termination:	None	Pulley Face Code:	Standard
Base Indicator:	Rigid	Pulley Shaft Indicator:	Standard
Bearing Grease Type:	Polyrex EM (-20F +300F)	Rodent Screen:	None
Blower:	None	Shaft Extension Location:	Pulley End
Current @ Voltage:	143.000 A @ 460.0 V	Shaft Ground Indicator:	No Shaft Grounding
Design Code:	A	Shaft Rotation:	Reversible
Drip Cover:	No Drip Cover	Shaft Slinger Indicator:	No Slinger

Duty Rating:	CONT	Speed Code:	Single Speed
Electrically Isolated Bearing:	Not Electrically Isolated	Motor Standards:	NEMA
Feedback Device:	NO FEEDBACK	Starting Method:	Wye Start - Delta Run
Front Face Code:	Standard	Thermal Device - Bearing:	None
Front Shaft Indicator:	None	Thermal Device - Winding:	None
Heater Indicator:	No Heater	Vibration Sensor Indicator:	No Vibration Sensor
Insulation Class:	F	Winding Thermal 1:	None
Inverter Code:	Inverter Ready	Winding Thermal 2:	None

Nameplate NP2138LUA												
CAT.NO.	EM2559T-4			P/N				ENCLOSURE	OPSB			
SPEC.	44E195W047		CC	010A		FRAME	405T		S/N			
HP	125			CLASS	F		HZ	60				
RPM	1775			PH	3		DES	A				
VOLT	460			KVA-CODE	G		ODE BRG	6312		DE BRG	6316	
AMP	143			USABLE AT 208V								
RATING	40C AMB-CONT			GREASE	POLYREX EM							
NEMA-NOM-EFF	95.4		PF	86		SER.F.	1.15					
HTR-VOLTS	50Hz 125Hp 380V 118A SF 1.0											
	HTR-AMPS				MAX. SPACE HEATER TEMP.							

AC Induction Motor Performance Data

Record # 13893 - Typical performance - not guaranteed values

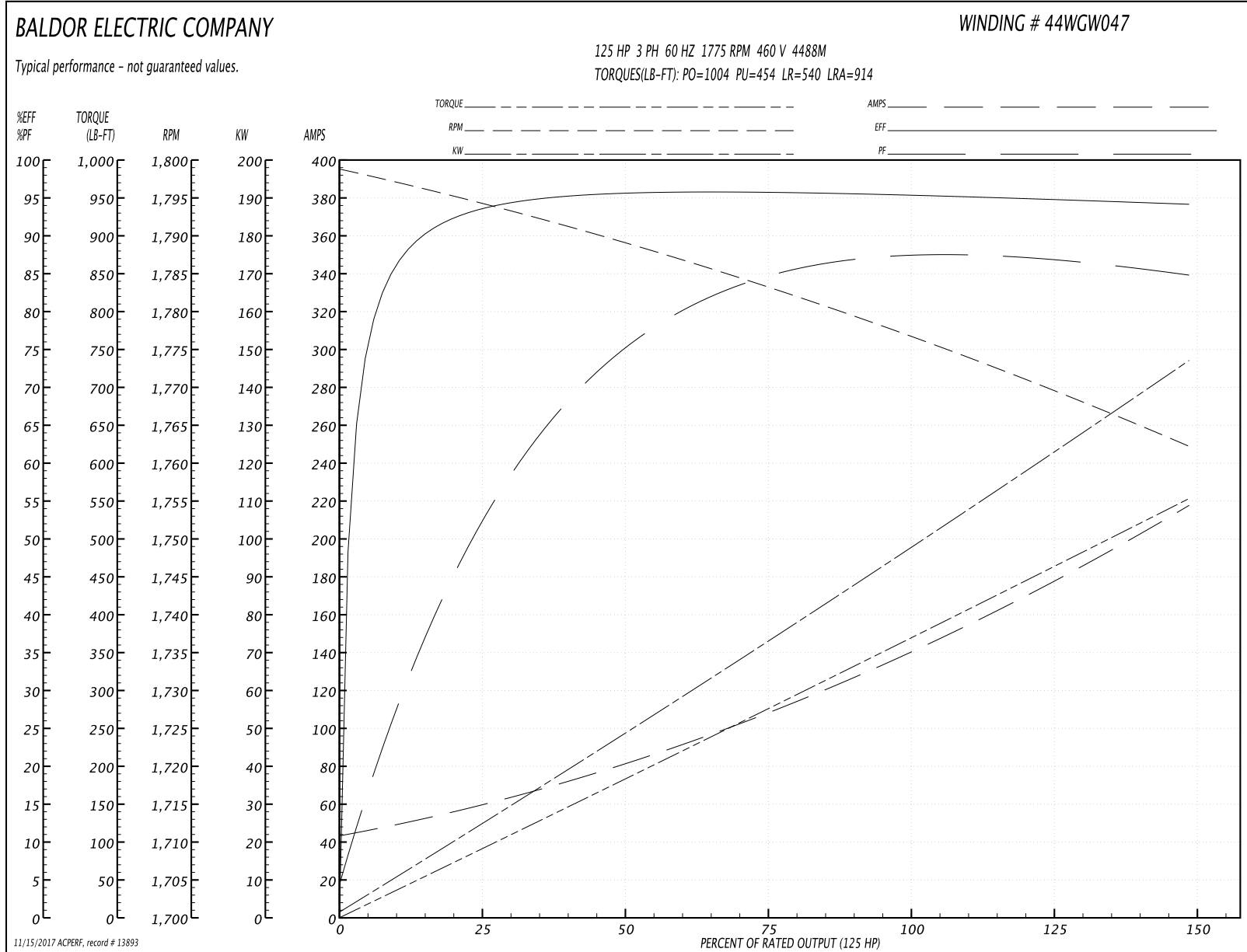
Winding: 44WGW047-R001	Type: 4488M	Enclosure: OPSB
-------------------------------	--------------------	------------------------

Nameplate Data				460 V, 60 Hz: Single Voltage Motor	
Rated Output (HP)	125			Full Load Torque	369 LB-FT
Volts	460			Start Configuration	direct on line
Full Load Amps	143			Breakdown Torque	1004 LB-FT
R.P.M.	1775			Pull-up Torque	454 LB-FT
Hz	60	Phase	3	Locked-rotor Torque	540 LB-FT
NEMA Design Code	A	KVA Code	G	Starting Current	914 A
Service Factor (S.F.)	1.15			No-load Current	46 A
NEMA Nom. Eff.	95.4	Power Factor	86	Line-line Res. @ 25°C	0.0379 Ω
Rating - Duty	40C AMB-CONT			Temp. Rise @ Rated Load	48°C
S.F. Amps				Temp. Rise @ S.F. Load	64°C
				Locked-rotor Power Factor	25.5
				Rotor inertia	16.6 LB-FT ²

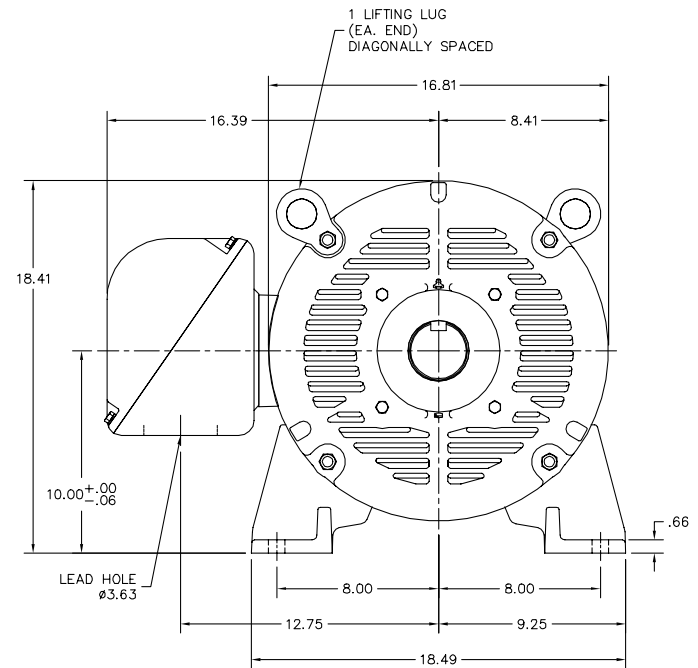
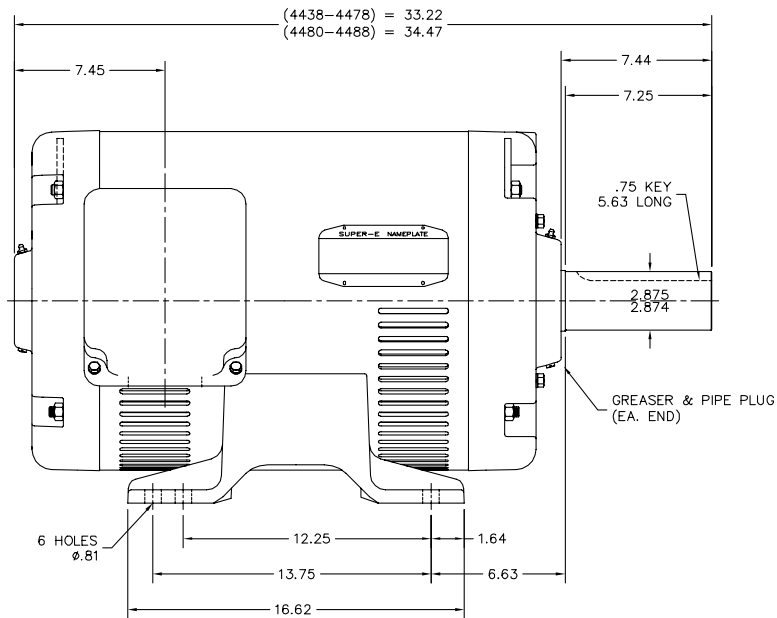
Load Characteristics 460 V, 60 Hz, 125 HP

% of Rated Load	25	50	75	100	125	150	S.F.
Power Factor	56	77	84	86	87	86	87
Efficiency	93.5	95.5	95.7	95.4	94.9	94.1	95.1
Speed	1794	1789	1783	1777	1770	1762	1773
Line amperes	56.3	79.8	109.4	142.6	177.7	216	163.7

Performance Graph at 460V, 60Hz, 125.0HP Typical performance - Not guaranteed values



44LYE195



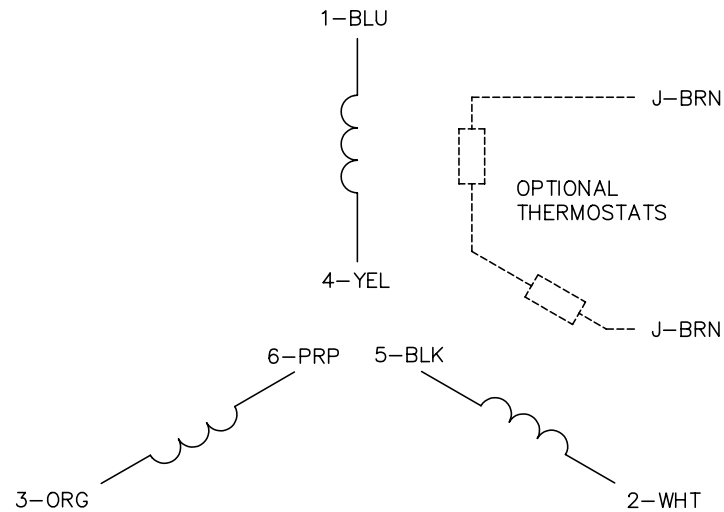
CUSTOMER IS RESPONSIBLE FOR DETERMINING THAT BALDOR'S PRODUCT WILL PERFORM SUITABLY IN THE INTENDED APPLICATION.

REV. DESC: NEW	VERSION: 00	TDR: 000000505270
REV. LTR: -	REVISED: 07:36:24 07/13/2009	BY: ENGAMG0
FILE: \AAA\00164\074		
MTL: -		

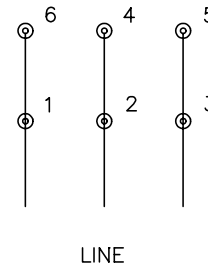
BALDOR • DODGE • RELIANCE
 HORZ OPSB 404-5T, SUPER-E
 SH 1 of 1

44LYE195

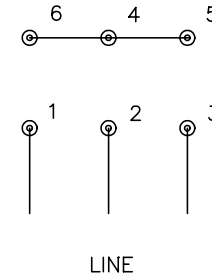
CD0382



RUN CONNECTION
(1D)



START CONNECTION
(1Y)



NOTES:

1. INTERCHANGE ANY TWO LINE LEADS TO REVERSE ROTATION.
2. OPTIONAL THERMOSTATS ARE PROVIDED WHEN SPECIFIED.
3. ACTUAL NUMBER OF INTERNAL PARALLEL CIRCUITS MAY BE A MULTIPLE OF THOSE SHOWN ABOVE.
4. LEAD COLORS ARE OPTIONAL. LEADS MUST ALWAYS BE NUMBERED AS SHOWN.
5. FOR ACROSS-THE-LINE STARTING, USE 'RUN' CONNECTION.

REV. DESC: ADD NOTE 5 FOR DOL STARTING			
REV. LTR: E	BY: JLP	REVISED: 11/30/00 2:26	TDR: 0226155
CD0382		FILE: AAA00005243	REF: -
		MTL: -	

BALDOR ELECTRIC Co.

3PH, SV, 6 LEADS, Y START/D RUN

CD0382