

BALDOR® • ***RELIANCE***

Product Information Packet

GP7420

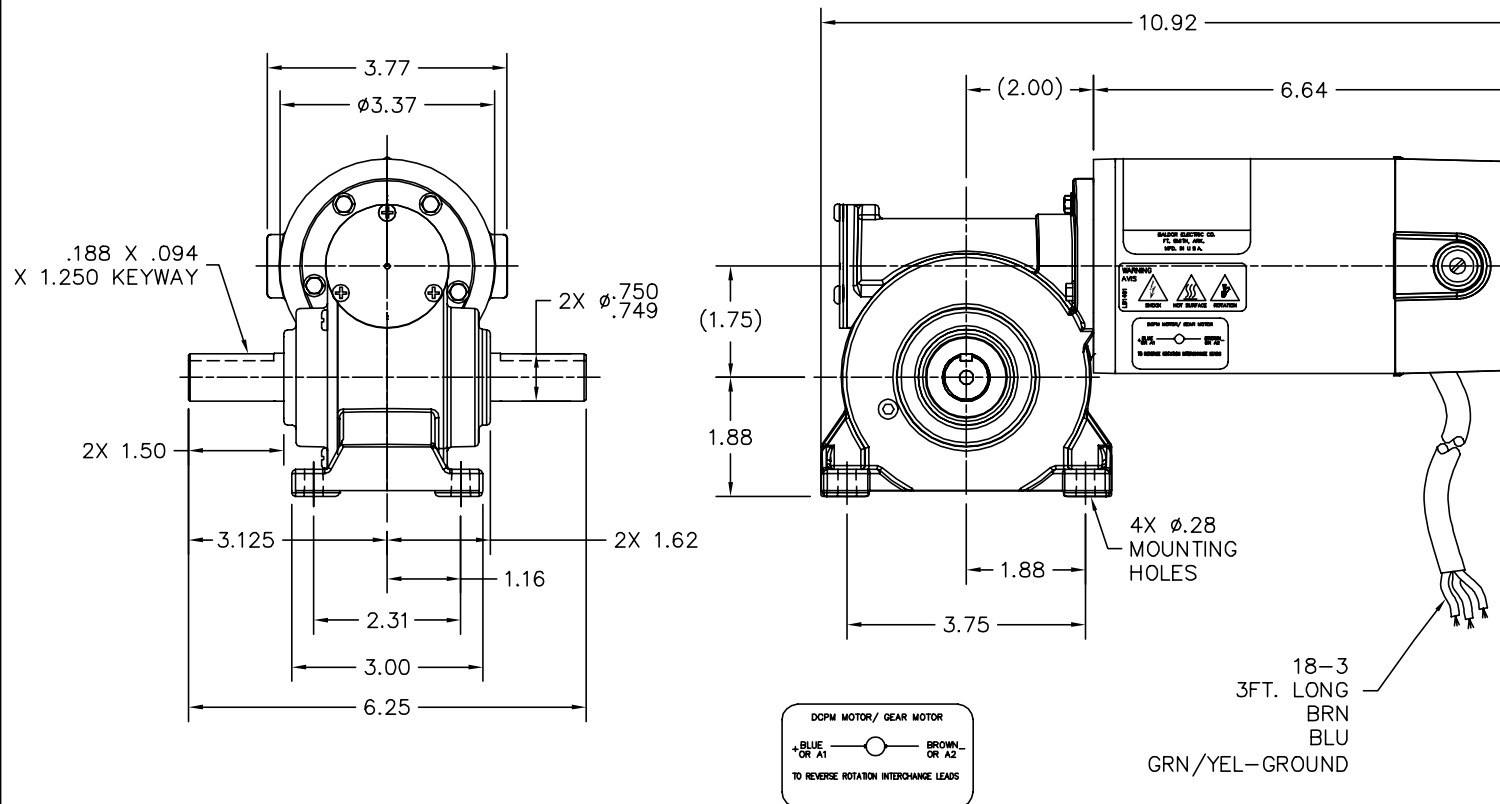
G.M. D24JA 180VDC 173RPM CAT# GP7420

Part Detail							
Revision:	Z	Status:	PRD/A	Change #:		Proprietary:	No
Type:	DC	Prod. Type:	2424P	Elec. Spec:	24WGZ134	CD Diagram:	CD1899
Enclosure:	TENV	Mfg Plant:		Mech. Spec:		Layout:	24A001Z134G1
Frame:		Mounting:		Poles:	00	Created Date:	
Base:		Rotation:	R	Insulation:	F	Eff. Date:	09-07-2016
Field Type:		Literature:		Elec. Diagram:		Replaced By:	

Specs			
Enclosure:	TENV		
Gearhead Type:	RIGHT ANGLE		
Gear Ratio:	11:1		
Gear Style:	JK		
Mounting Arrangement:	0.000		
Product Family:	General Purpose		

Nameplate NP1220A08	
CAT.NO.	GP7420
SER.NO.	
SPEC.	24A001Z134G1
FRAME	JK TYPE 2424P
HP	.13 TE
VOLTS	180DC
AMP	.66
F.F.	1.44 CLASS F
AMB.	40 DUTY CONT
BRUSHES	2/BP5052BP01
R.P.M.	173
TORQ/IN LB	32
RATIO	11:1
APRV-CE	<input type="checkbox"/> APRV-CUL <input type="checkbox"/>

24A001Z134G1



CUSTOMER IS RESPONSIBLE FOR DETERMINING THAT BALDOR'S PRODUCT WILL PERFORM SUITABLY IN THE INTENDED APPLICATION.

REV. DESC: ADD WARNING LABEL, UPDATE CABLE DESC.

REV. LTR: A	VERSION: 01	TDR: 000000733174
FILE: \CKA\00025\223	REVISED: 02:05:02 02/10/2012	
MTL: -	BY: CKAPRBO	

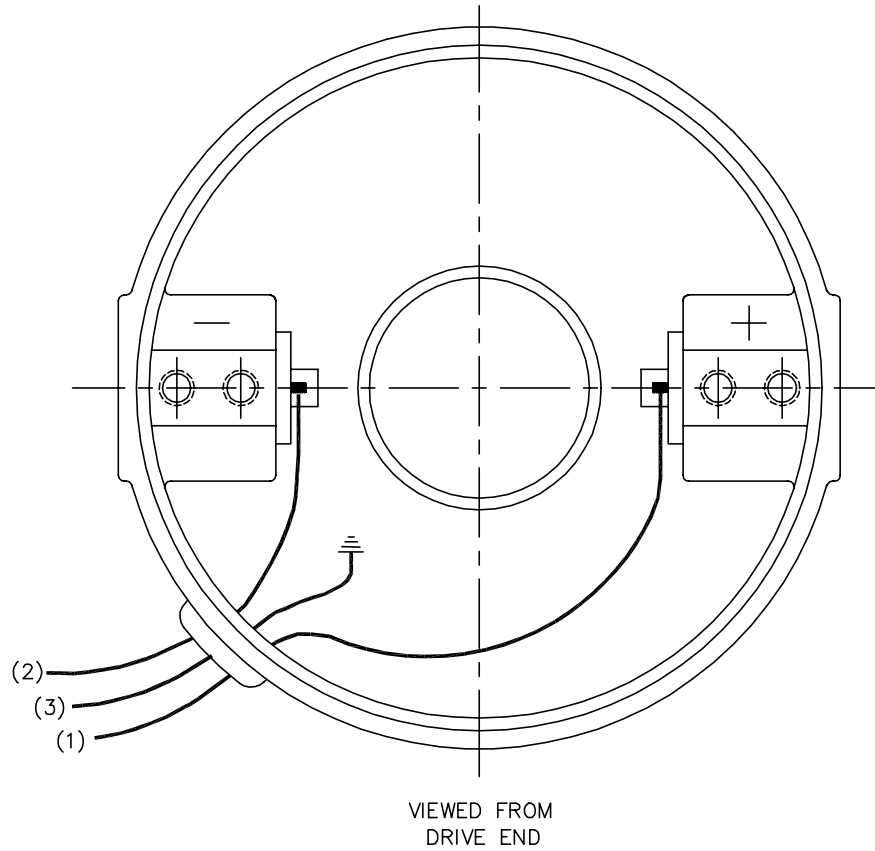
BALDOR • DODGE • RELIANCE

LY,24DC JK DOM TENV 2X .7500 2.00

SH 1 of 2

24A001Z134G1

CD1899



(1) COLOR MAY BE
RED
WHT
BLU

(2) COLOR MAY BE
BLK
BRN

(3) COLOR WHEN REQ.
GRN
GRN/YEL

VIEWED FROM
DRIVE END

REV. DESC: NEW			
REV. LTR: -	BY: PAW	REVISED: 09:06:34 09/16/2004	TDR: 341564
668100		FILE: CKA00025830	REF: CD1899
		MTL: -	

BALDOR ELECTRIC Co.

PM,2LD,REV,TANG,CK

CD1899