

BALDOR® • **RELIANCE**

Product Information Packet

ECP3665T

5HP,1750RPM,3PH,60HZ,184T,0642M,TEFC,F1

Part Detail							
Revision:	S	Status:	PRD/A	Change #:		Proprietary:	No
Type:	AC	Elec. Spec:	06WGX182	CD Diagram:	CD0005	Mfg Plant:	
Mech. Spec:	06H483	Layout:	06LYH483	Poles:	04	Created Date:	04-05-2012
Base:	RG	Eff. Date:	04-28-2017	Leads:	9#16		

Specs			
Catalog Number:	ECP3665T	Heater Indicator:	No Heater
Enclosure:	TEFC	Insulation Class:	F
Frame:	184T	Inverter Code:	Inverter Duty
Frame Material:	Iron	KVA Code:	J
Output @ Frequency:	5.000 HP @ 60 HZ	Lifting Lugs:	Standard Lifting Lugs
Synchronous Speed @ Frequency:	1800 RPM @ 60 HZ	Locked Bearing Indicator:	No Locked Bearing
Voltage @ Frequency:	208.0 V @ 60 HZ	Motor Lead Quantity/Wire Size:	9 @ 16 AWG
	460.0 V @ 60 HZ	Motor Lead Exit:	Ko Box
	230.0 V @ 60 HZ	Motor Lead Termination:	Flying Leads
XP Class and Group:	CLI GP A,B,C,D	Motor Type:	0642M
XP Division:	Division II	Mounting Arrangement:	F1
Agency Approvals:	CSA EEV	Power Factor:	79
	UR	Product Family:	Chemical Processing (Not DC)
	CSA	Pulley End Bearing Type:	Ball
	CCSA US	Pulley Face Code:	Standard
Auxillary Box:	No Auxillary Box	Pulley Shaft Indicator:	Standard
Auxillary Box Lead Termination:	None	Rodent Screen:	None
Base Indicator:	Rigid	RoHS Status:	ROHS COMPLIANT

Bearing Grease Type:	Polyrex EM (-20F +300F)	Shaft Extension Location:	Pulley End
Blower:	None	Shaft Ground Indicator:	No Shaft Grounding
Constant Torque Speed Range:	1.7	Shaft Rotation:	Reversible
Current @ Voltage:	6.500 A @ 460.0 V	Shaft Slinger Indicator:	Shaft Slinger
	14.000 A @ 208.0 V	Speed Code:	Single Speed
	13.000 A @ 230.0 V	Motor Standards:	NEMA
Design Code:	B	Starting Method:	Direct on line
Drip Cover:	No Drip Cover	Thermal Device - Bearing:	None
Duty Rating:	CONT	Thermal Device - Winding:	None
Electrically Isolated Bearing:	Not Electrically Isolated	Vibration Sensor Indicator:	No Vibration Sensor
Feedback Device:	NO FEEDBACK	Winding Thermal 1:	None
Front Face Code:	Standard	Winding Thermal 2:	None
Front Shaft Indicator:	None	XP Temp Code:	T3C

Nameplate NP3257E										
CAT.NO.	ECP3665T									
SPEC.	06H483X182G1									
HP	5	TE								
VOLTS	208-230/460									
AMP	14-13/6.5									
RPM	1750									
FRAME	184T						HZ	60		
SER.F.	1.15				CODE	J	DES	B		
RATING	40C AMB-CONT									
SN										
DE	6206						ODE	6206		
NEMA-NOM-EFF	89.5				PF	79				
G.MIN.EFF	87.5				CC	010A				
T. CODE	T3C				T=	160				
							PH	3		
							CL	F		

Nameplate NP3260E	
SPEC.	06H483X182G1
D.E. BRG.	30BC02XP30X
O.D.E. BRG.	30BC02XP30X
GREASE	POLYREX EM
RPM MAX	2700
MAX. KVAR	1.7
BLANK	
INV. TYPE	PWM
T=	160
C HP FR	60
CT HZ FROM	1.7
VT HZ FROM	0-
C HP TO	90
CT HZ TO	60
VT HZ TO	60
HTR-VOLTS	
HTR-WATTS	
HTR-AMPS	
MAX. SPACE HEATER TEMP.	

AC Induction Motor Performance Data

Record # 47003 - Typical performance - not guaranteed values

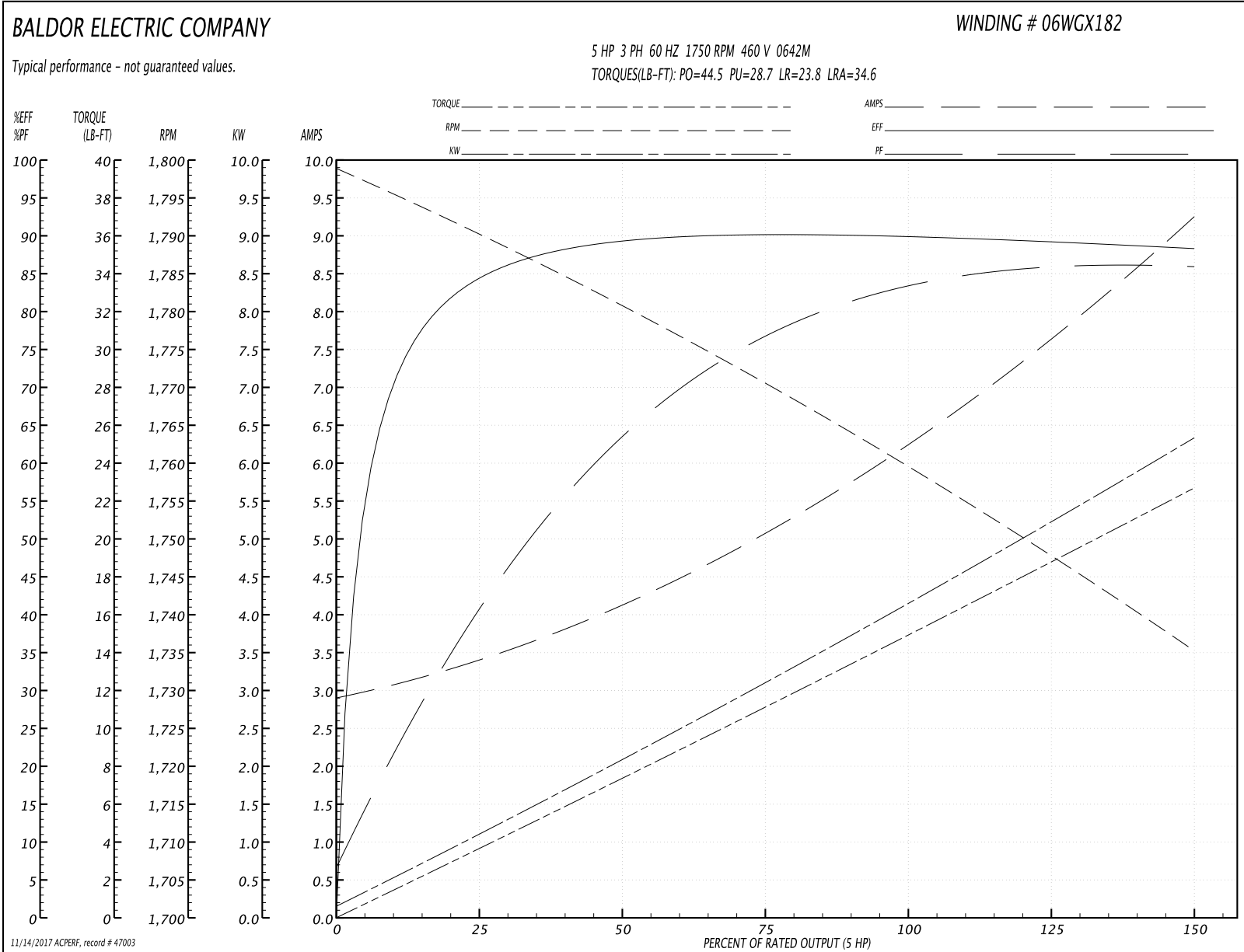
Winding: 06WGX182-R063	Type: 0642M	Enclosure: TEFC
-------------------------------	--------------------	------------------------

Nameplate Data				460 V, 60 Hz: High Voltage Connection	
Rated Output (HP)	5			Full Load Torque	14.9 LB-FT
Volts	208-230/460			Start Configuration	direct on line
Full Load Amps	14-13.2/6.6			Breakdown Torque	44.5 LB-FT
R.P.M.	1750			Pull-up Torque	28.7 LB-FT
Hz	60	Phase	3	Locked-rotor Torque	23.8 LB-FT
NEMA Design Code	B	KVA Code	J	Starting Current	34.6 A
Service Factor (S.F.)	1.15			No-load Current	2.99 A
NEMA Nom. Eff.	89.5	Power Factor	79	Line-line Res. @ 25°C	2.63 Ω
Rating - Duty	40C AMB-CONT			Temp. Rise @ Rated Load	54°C
S.F. Amps				Temp. Rise @ S.F. Load	67°C
				Locked-rotor Power Factor	40.5
				Rotor inertia	0.391 LB-FT ²

Load Characteristics 460 V, 60 Hz, 5 HP

% of Rated Load	25	50	75	100	125	150	S.F.
Power Factor	42	65	76	82	85	87	81
Efficiency	84.3	89.2	90.2	90.1	89.3	88.3	89.2
Speed	1790	1781	1770	1760	1748	1735	1743
Line amperes	3.3	4.06	5.09	6.32	7.69	9.19	7.48

Performance Graph at 460V, 60Hz, 5.0HP Typical performance - Not guaranteed values



AC Induction Motor Performance Data

Record # 49253 - Typical performance - not guaranteed values

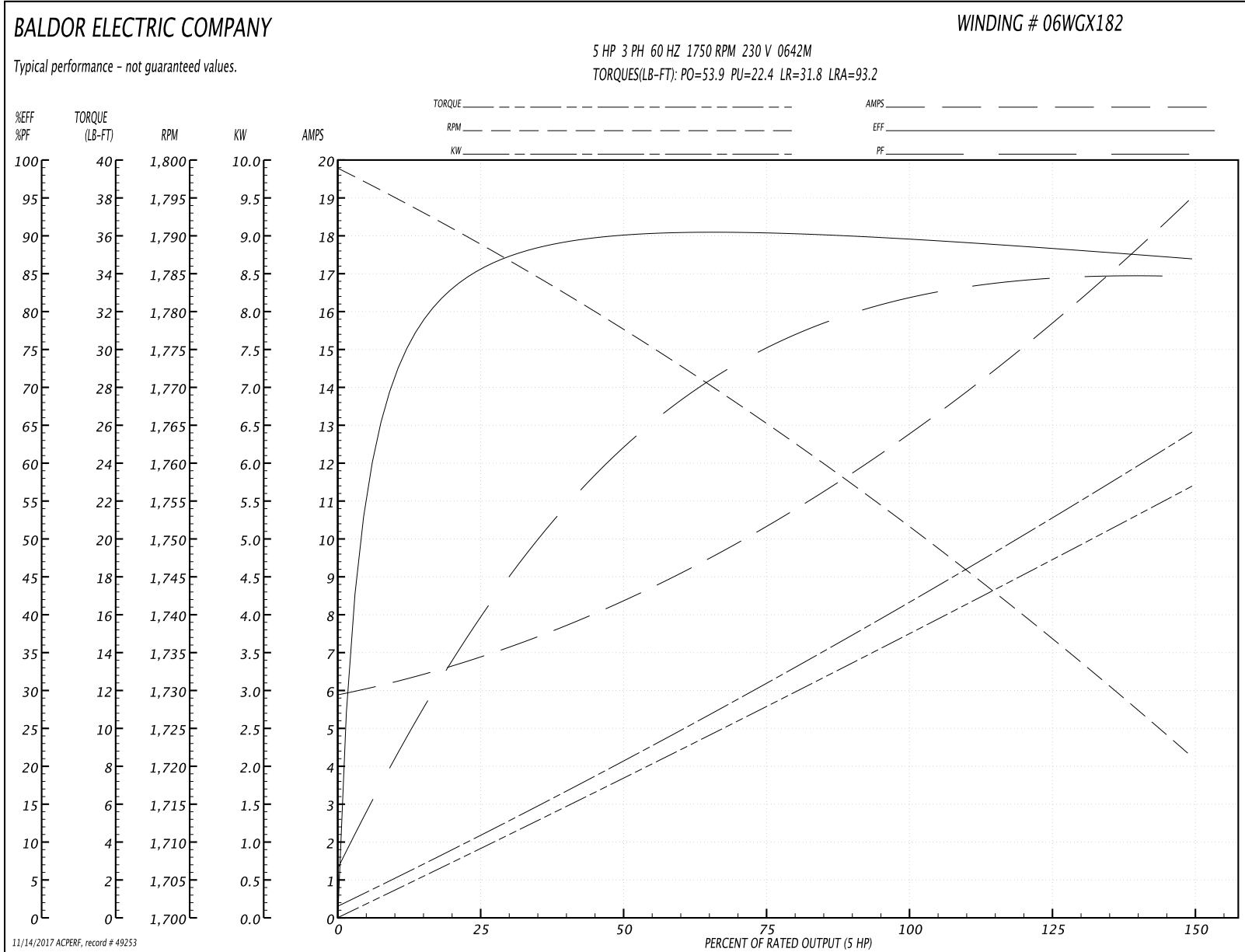
Winding: 06WGX182-R063	Type: 0642M	Enclosure: TEFC
-------------------------------	--------------------	------------------------

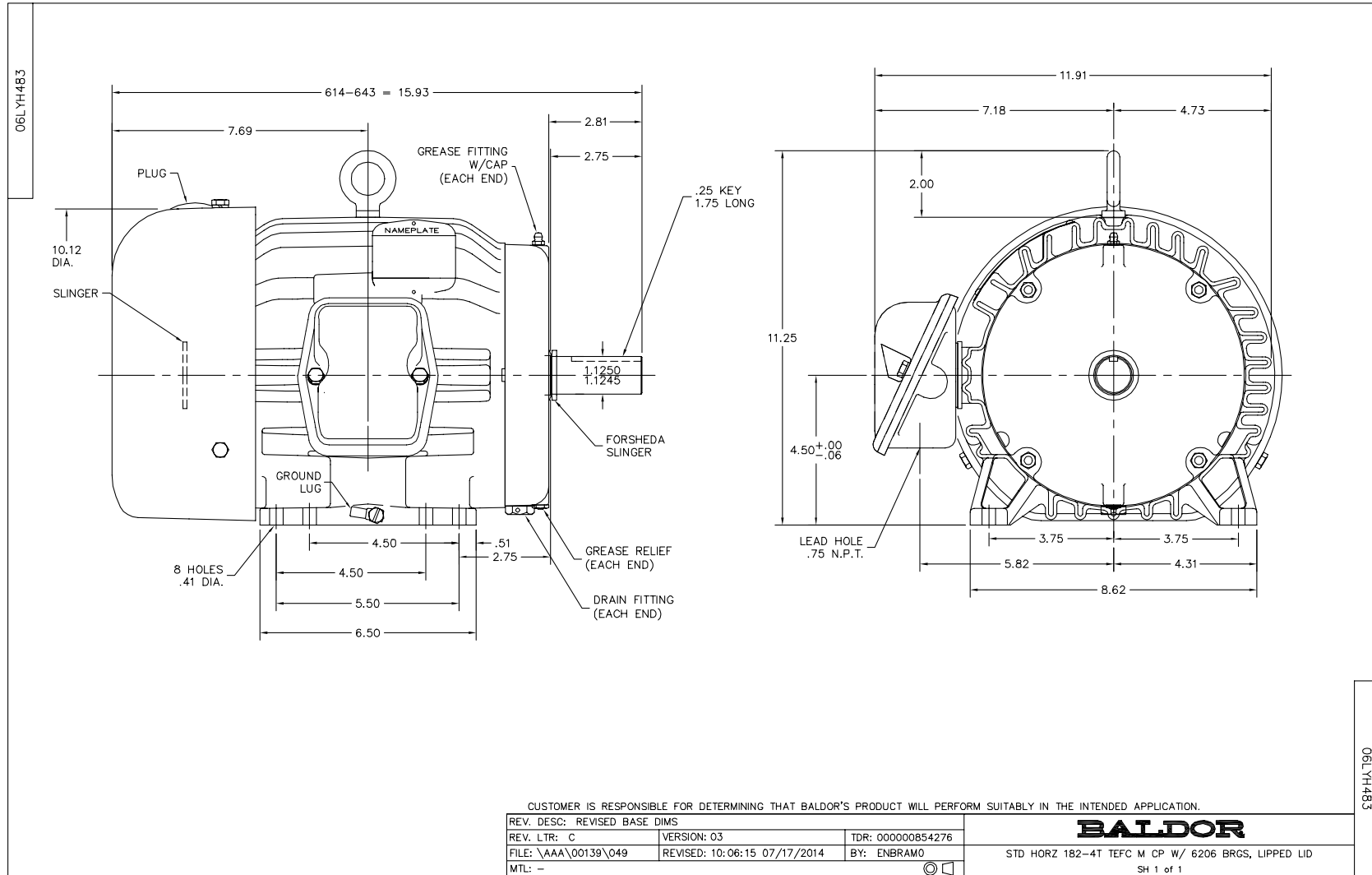
Nameplate Data				230 V, 60 Hz: Low Voltage Connection	
Rated Output (HP)	5			Full Load Torque	15 LB-FT
Volts	208-230/460			Start Configuration	direct on line
Full Load Amps	14-13/6.5			Breakdown Torque	53.9 LB-FT
R.P.M.	1750			Pull-up Torque	22.4 LB-FT
Hz	60	Phase	3	Locked-rotor Torque	31.8 LB-FT
NEMA Design Code	B	KVA Code	J	Starting Current	93.2 A
Service Factor (S.F.)	1.15			No-load Current	6.04 A
NEMA Nom. Eff.	89.5	Power Factor	79	Line-line Res. @ 25°C	0.658 Ω
Rating - Duty	40C AMB-CONT			Temp. Rise @ Rated Load	53°C
S.F. Amps				Temp. Rise @ S.F. Load	65°C
				Locked-rotor Power Factor	40.5
				Rotor inertia	0.391 LB-FT ²

Load Characteristics 230 V, 60 Hz, 5 HP

% of Rated Load	25	50	75	100	125	150	S.F.
Power Factor	41	63	75	81	84	85	81
Efficiency	85.2	89.8	90.4	89.8	88.4	86.9	88.8
Speed	1789	1777	1765	1752	1737	1721	1739
Line amperes	6.7	8.28	10.4	12.9	15.8	18.9	15

Performance Graph at 230V, 60Hz, 5.0HP Typical performance - Not guaranteed values

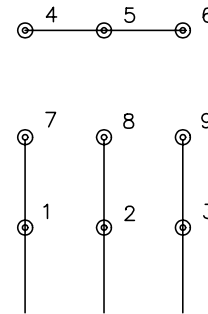




CD0005

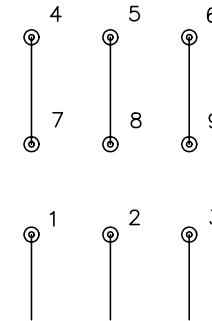


LOW VOLTAGE
(2Y)



LINE

HIGH VOLTAGE
(1Y)



LINE

NOTES:

1. INTERCHANGE ANY TWO LINE LEADS TO REVERSE ROTATION.
2. OPTIONAL THERMOSTATS ARE PROVIDED WHEN SPECIFIED.
3. ACTUAL NUMBER OF INTERNAL PARALLEL CIRCUITS MAY BE A MULTIPLE OF THOSE SHOWN ABOVE.
4. LEAD COLORS ARE OPTIONAL. LEADS MUST ALWAYS BE NUMBERED AS SHOWN.

REV. DESC: REVISE TO SHOW OPTIONAL COLORS			
REV. LTR: E	BY: JLP	REVISED: 01/19/99 10:15	TDR: 0171435
900000		FILE: AAA00005140	MDL: -
		MTL: -	

BALDOR ELECTRIC Co.

3PH, DV, 9 LEADS

CD0005