

BALDOR® • RELIANCE

Product Information Packet

VM3158T

3HP,3450RPM,3PH,60HZ,145TC,3528M,OPEN,F1

Part Detail							
Revision:	H	Status:	INA/A	Change #:		Proprietary:	No
Type:	AC	Elec. Spec:	35WGR986	CD Diagram:	CD0005	Mfg Plant:	
Mech. Spec:	35BB005	Layout:	35LYBB005	Poles:	02	Created Date:	06-07-2010
Base:	N	Eff. Date:	03-08-2016	Leads:	9#18		

Specs			
Catalog Number:	VM3158T	Insulation Class:	F
Enclosure:	ODP	Inverter Code:	Not Inverter
Frame:	145TC	KVA Code:	K
Frame Material:	Steel	Lifting Lugs:	No Lifting Lugs
Output @ Frequency:	3.000 HP @ 60 HZ	Locked Bearing Indicator:	Locked Bearing
Synchronous Speed @ Frequency:	3600 RPM @ 60 HZ	Motor Lead Quantity/Wire Size:	9 @ 18 AWG
Voltage @ Frequency:	208.0 V @ 60 HZ	Motor Lead Exit:	Ko Box
	230.0 V @ 60 HZ	Motor Lead Termination:	Flying Leads
	460.0 V @ 60 HZ	Motor Type:	3528M
XP Class and Group:	None	Mounting Arrangement:	F1
XP Division:	Not Applicable	Power Factor:	89
Agency Approvals:	UR	Product Family:	General Purpose
	CSA	Pulley End Bearing Type:	Ball
Auxillary Box:	No Auxillary Box	Pulley Face Code:	C-Face
Auxillary Box Lead Termination:	None	Pulley Shaft Indicator:	Standard
Base Indicator:	No Mounting	Rodent Screen:	None
Bearing Grease Type:	Polyrex EM (-20F +300F)	RoHS Status:	ROHS COMPLIANT
Blower:	None	Shaft Extension Location:	Pulley End

Current @ Voltage:	3.700 A @ 460.0 V	Shaft Ground Indicator:	No Shaft Grounding
	7.400 A @ 230.0 V	Shaft Rotation:	Reversible
	8.200 A @ 208.0 V	Shaft Slinger Indicator:	No Slinger
Design Code:	B	Speed Code:	Single Speed
Drip Cover:	Drip Cover	Motor Standards:	NEMA
Duty Rating:	CONT	Starting Method:	Direct on line
Electrically Isolated Bearing:	Not Electrically Isolated	Thermal Device - Bearing:	None
Feedback Device:	NO FEEDBACK	Thermal Device - Winding:	None
Front Face Code:	Drip Cover Mounting	Vibration Sensor Indicator:	No Vibration Sensor
Front Shaft Indicator:	None	Winding Thermal 1:	None
Heater Indicator:	No Heater	Winding Thermal 2:	None

Nameplate NP1256L										
CAT.NO.	VM3158T									
SPEC.	35BB005R986H1									
HP	3									
VOLTS	208-230/460									
AMP	8.2-7.4/3.7									
RPM	3450									
FRAME	145TC				HZ	60			PH	3
SER.F.	1.15		CODE	K	DES	B		CLASS	F	
NEMA-NOM-EFF	84		PF	89						
RATING	40C AMB-CONT									
CC	010A				USABLE AT 208V			8.2		
DE	6205				ODE	6203				
ENCL	OPEN		SN							

AC Induction Motor Performance Data

Record # 36624 - Typical performance - not guaranteed values

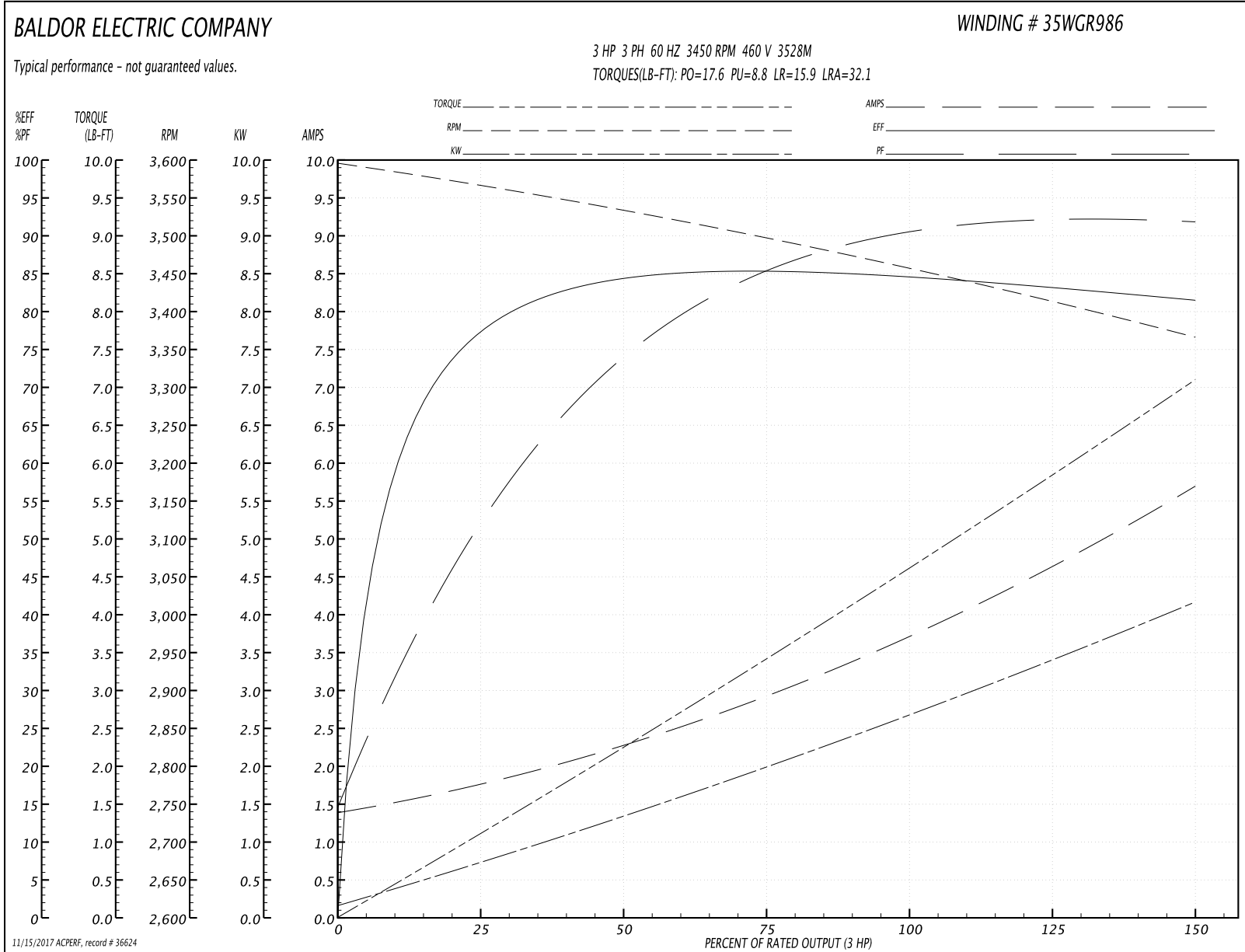
Winding: 35WGR986-R002	Type: 3528M	Enclosure: ODTF
-------------------------------	--------------------	------------------------

Nameplate Data				460 V, 60 Hz: High Voltage Connection	
Rated Output (HP)	3			Full Load Torque	4.74 LB-FT
Volts	208-230/460			Start Configuration	direct on line
Full Load Amps	8.2-7.4/3.7			Breakdown Torque	17.6 LB-FT
R.P.M.	3450			Pull-up Torque	8.8 LB-FT
Hz	60	Phase	3	Locked-rotor Torque	15.9 LB-FT
NEMA Design Code	B	KVA Code	K	Starting Current	32.1 A
Service Factor (S.F.)	1.15			No-load Current	1.41 A
NEMA Nom. Eff.	84	Power Factor	89	Line-line Res. @ 25°C	4.88 Ω
Rating - Duty	40C AMB-CONT			Temp. Rise @ Rated Load	39°C
S.F. Amps				Temp. Rise @ S.F. Load	47°C
				Locked-rotor Power Factor	52
				Rotor inertia	0.0767 LB-FT ²

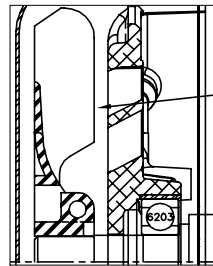
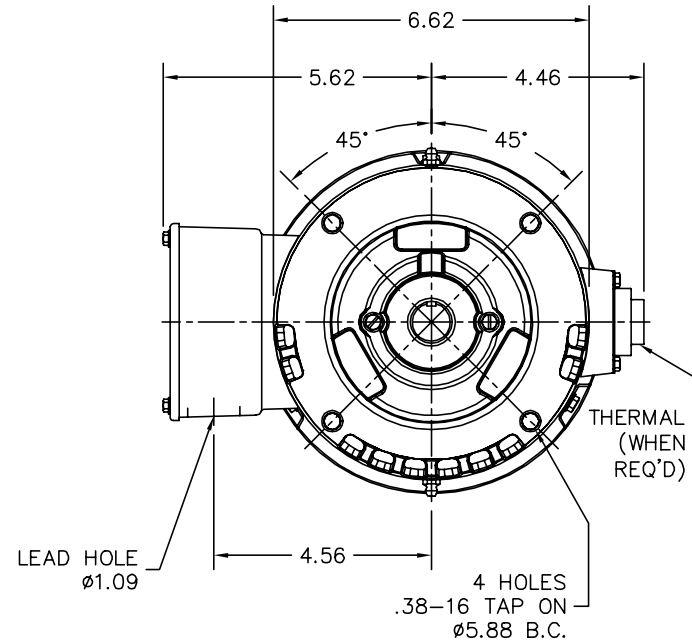
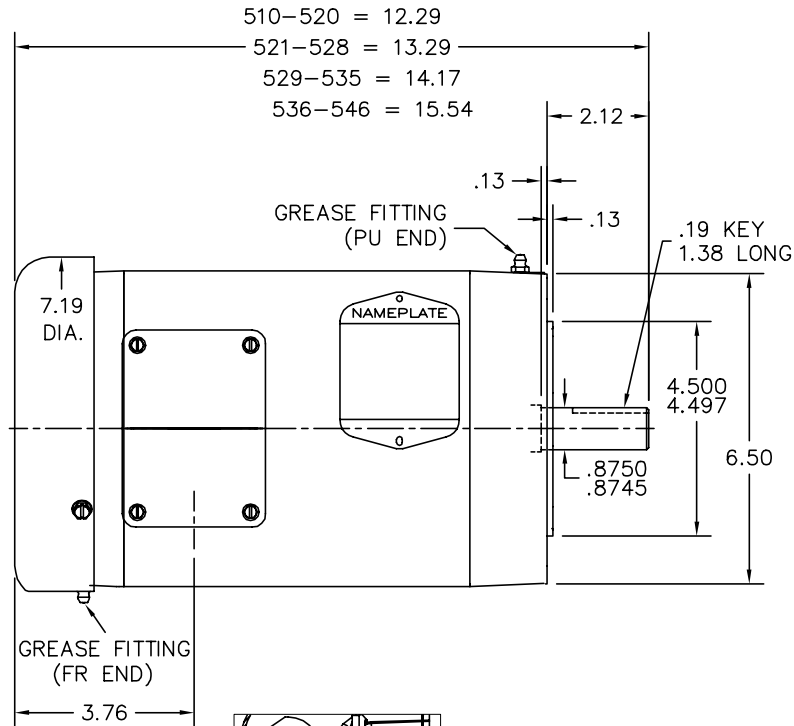
Load Characteristics 460 V, 60 Hz, 3 HP

% of Rated Load	25	50	75	100	125	150	S.F.
Power Factor	55	76	86	90	92	92	91
Efficiency	78.2	84	85.3	84.6	83.4	81.3	83.9
Speed	3562	3528	3494	3454	3412	3364	3429
Line amperes	1.76	2.32	3.02	3.84	4.7	5.69	4.36

Performance Graph at 460V, 60Hz, 3.0HP Typical performance - Not guaranteed values



35LYBB005



INSTALL EXT. FAN W/BLADES
 FACING THE FRONT ENDPLATE

CUSTOMER IS RESPONSIBLE FOR DETERMINING THAT BALDOR'S PRODUCT WILL PERFORM SUITABLY IN THE INTENDED APPLICATION.

REV. DESC: REPLACE ENDPLATES		
REV. LTR: C	VERSION: 03	TDR: 000001041474
FILE: \AAA\00172\253	REVISED: 02:07:36 09/06/2017	BY: USJOBUR22
MTL: -		

BALDOR

STD VER 143-5TC ODTF 35M W/DRIP CVR, EXT FAN, 1.09 LEAD HOLE

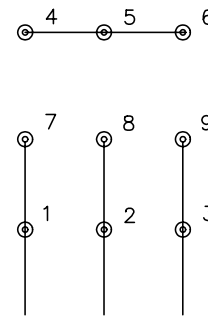
SH 1 of 1

35LYBB005

CD0005

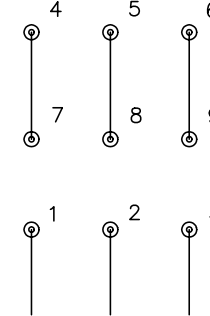


LOW VOLTAGE
(2Y)



LINE

HIGH VOLTAGE
(1Y)



LINE

NOTES:

1. INTERCHANGE ANY TWO LINE LEADS TO REVERSE ROTATION.
2. OPTIONAL THERMOSTATS ARE PROVIDED WHEN SPECIFIED.
3. ACTUAL NUMBER OF INTERNAL PARALLEL CIRCUITS MAY BE A MULTIPLE OF THOSE SHOWN ABOVE.
4. LEAD COLORS ARE OPTIONAL. LEADS MUST ALWAYS BE NUMBERED AS SHOWN.

REV. DESC: REVISE TO SHOW OPTIONAL COLORS

REV. LTR: E

BY: JLP

REVISED: 01/19/99 10:15

TDR: 0171435

90000

FILE: AAA00005140

MDL: -

MTL: -

BALDOR ELECTRIC Co.

3PH, DV, 9 LEADS

CD0005