

BALDOR® • ***RELIANCE***

Product Information Packet

CDP3440-V24

.75HP, 1800RPM, DC, 56C, 3424P, TEFC, F1

Part Detail							
Revision:	G	Status:	PRD/A	Change #:		Proprietary:	No
Type:	DC	Prod. Type:	3424P	Elec. Spec:	34WGZ611	CD Diagram:	CD0194
Enclosure:	TEFC	Mfg Plant:		Mech. Spec:	34-6893	Layout:	34LY6893
Frame:	56C	Mounting:	F1	Poles:	00	Created Date:	
Base:	RG	Rotation:	R	Insulation:	H	Eff. Date:	04-19-2016
Field Type:		Literature:		Elec. Diagram:		Replaced By:	

Specs			
Enclosure:	TEFC		
Frame:	56CZ		
Frame Material:	Steel		
XP Class and Group:	None		
Agency Approvals:	CSA		
	UR		
Base Indicator:	Rigid		
Bearing Grease Type:	Polyrex EM (-20F +300F)		
Drip Cover:	No Drip Cover		
Duty Rating:	CONT		
Feedback Device:	NO FEEDBACK		
Heater Indicator:	No Heater		
Insulation Class:	H		
Lifting Lugs:	No Lifting Lugs		
Motor Lead Quantity/Wire Size:	2 @ 12 AWG		
Motor Lead Exit:	Ko Box		

Motor Lead Termination:	Flying Leads		
Mounting Arrangement:	F1		
Product Family:	General Purpose		
Pulley End Bearing Type:	Ball		
Shaft Extension Location:	Pulley End		
Shaft Ground Indicator:	No Shaft Grounding		
Shaft Rotation:	Reversible		
Shaft Slinger Indicator:	No Slinger		
Motor Standards:	NEMA		

Nameplate NP0111L			
CAT.NO.	CDP3440-V24		
SPEC.	34-6893Z611		
HP	.75	ENCL	TEFC
RPM	1800		
FRAME	56CZ	TYPE	3424P
ARM V	24	ARM A	29.4
FLD V		FLD A	
INSUL	H	AMB.	40
DUTY	CONT	SUPPLY	A
BRG/DE	6203	BRG/ODE	6203
BRUSHES	2/BP5104BV01		
SER.		BLANK	
BLANK	---		
APRV-CSA	<input type="checkbox"/>	APRV-UL	<input type="checkbox"/>

DC Motor Performance Data

Record # 499 - Typical performance - not guaranteed values

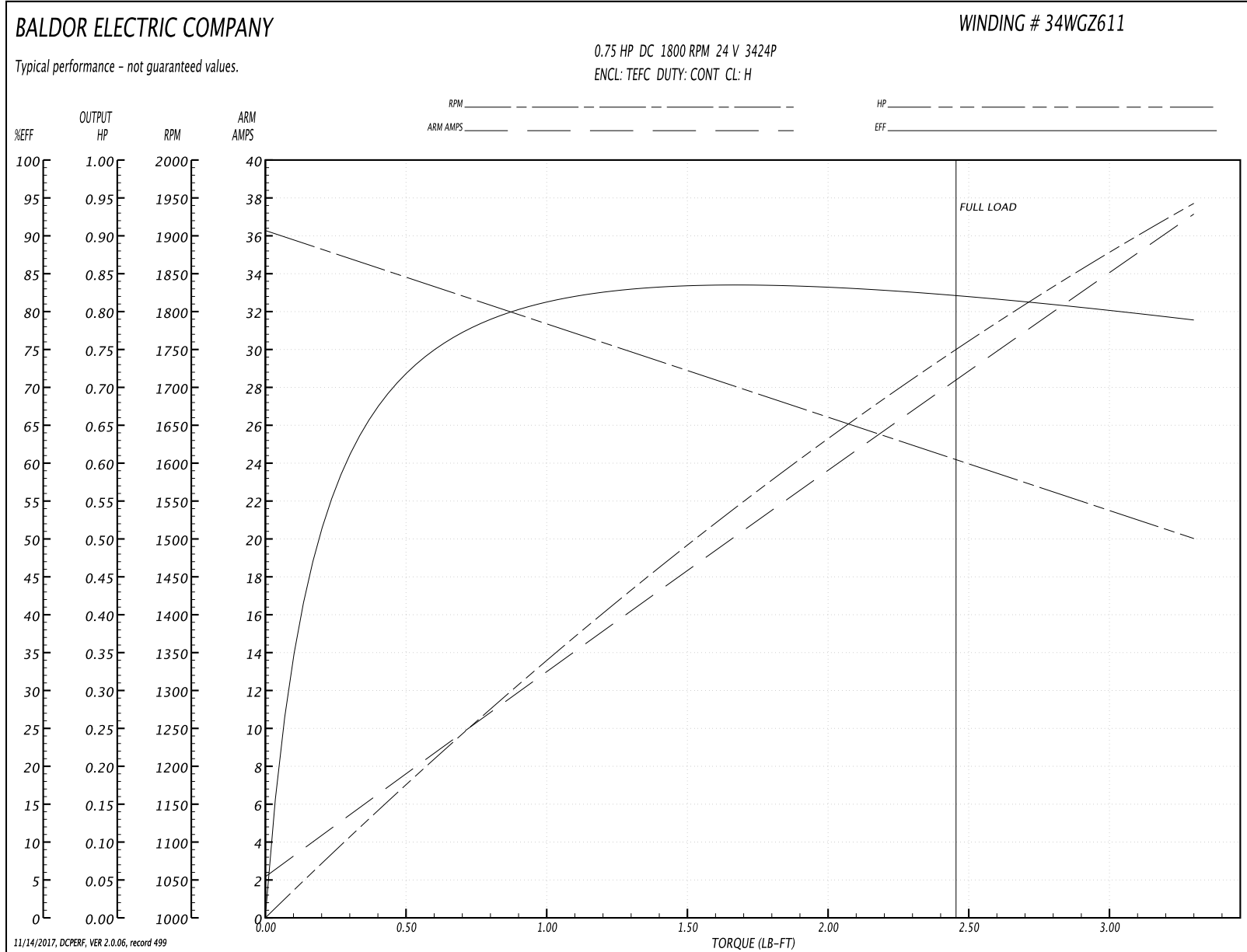
Winding: 34WGZ611-R001	Type: 3424P	Enclosure: TEFC
-------------------------------	--------------------	------------------------

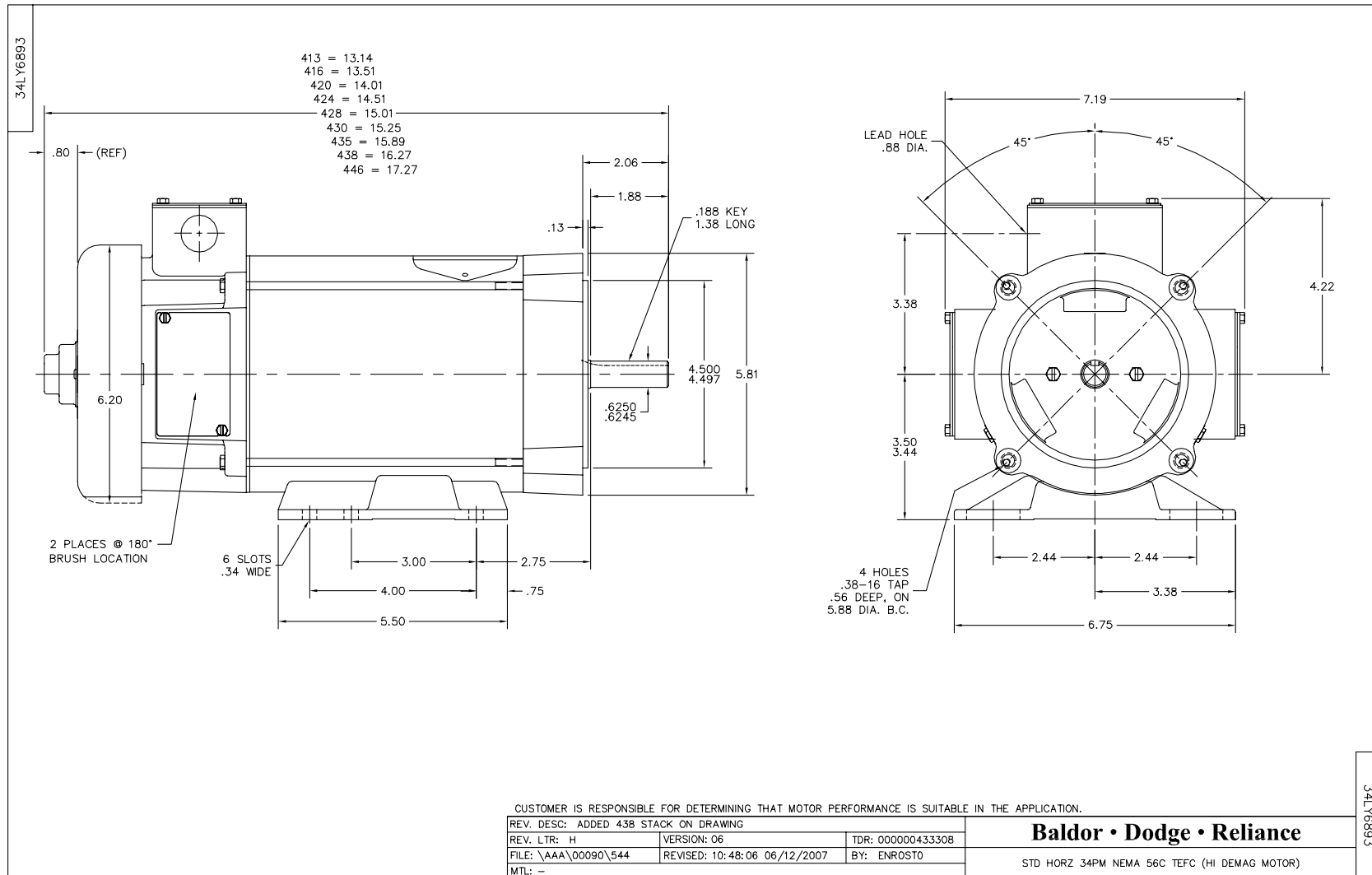
Nameplate Data		General Characteristics	
Rated Output (HP)	0.75	Armature Resistance @ 25°C	0.0933 Ω
R.P.M.	1800		
Armature Volts	24	Voltage Constant	12.46 v/krpm
Armature Amps	29.4		
Field Volts		Armature Inductance	0.7493 mH
Field Amps		Armature Inertia	8.2643 LI ²
Rating - Duty	40C AMB-CONT		
Power Supply Code	A		
		Temp. Rise @ Rated Load	103°C

Load Characteristics at 24 Armature Volts

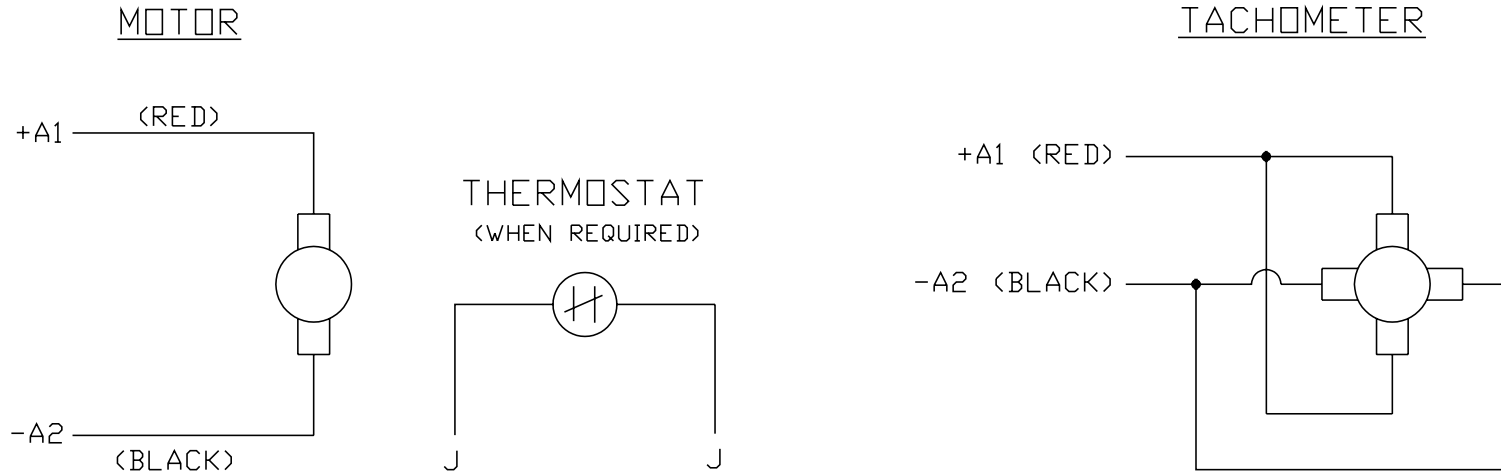
Load Point	1	2	3	4	5	6	7
Armature Amps	2.28	8.05	14.05	19.8	25.8	31.68	37
R.P.M.	1900	1843	1772	1709	1635	1574	1493
Torque (LB-FT)	0	0.55	1.1	1.65	2.2	2.75	3.3

Performance Graph at 24.0 Arm V, 0.75HP Typical performance - Not guaranteed values





CD0194



NOTES:

1. CCW ROTATION AS SHOWN FACING COMMUTATOR END. TO REVERSE MOTOR ROTATION OR TACHOMETER OUTPUT POLARITY INTERCHANGE LEADS A1(RED) & A2(BLACK)
2. LEAD COLORS FOR REFERENCE ONLY & NOT SPECIFIED BY THIS DRAWING. LEAD COLORS SPECIFIED BY LAYOUT DRAWING & BILL OF MATERIAL ONLY.

MATL: -			
REV: E	ADDED NOTE "LEAD COLORS FOR REFERENCE ONLY &..."		
CD0194	SCALE: -	BY: CK	REVISED: 07/28/95
	FILE: AAA00004503		TDR: 0078737

BALDOR ELECTRIC Co.

CD TYPE P DC PERMANENT MAGNET MOTORS AND TACHOMETERS

CD0194