

BALDOR® • RELIANCE

Product Information Packet

GF4024AG

F-924-40-B5-G

Specs			
Motor Mount:	56C		
Output Type:	RIGHT ANGLE		
Shaft Configuration:	SOLID SHAFT		
Sub Family:	F		
Product Series:	900		

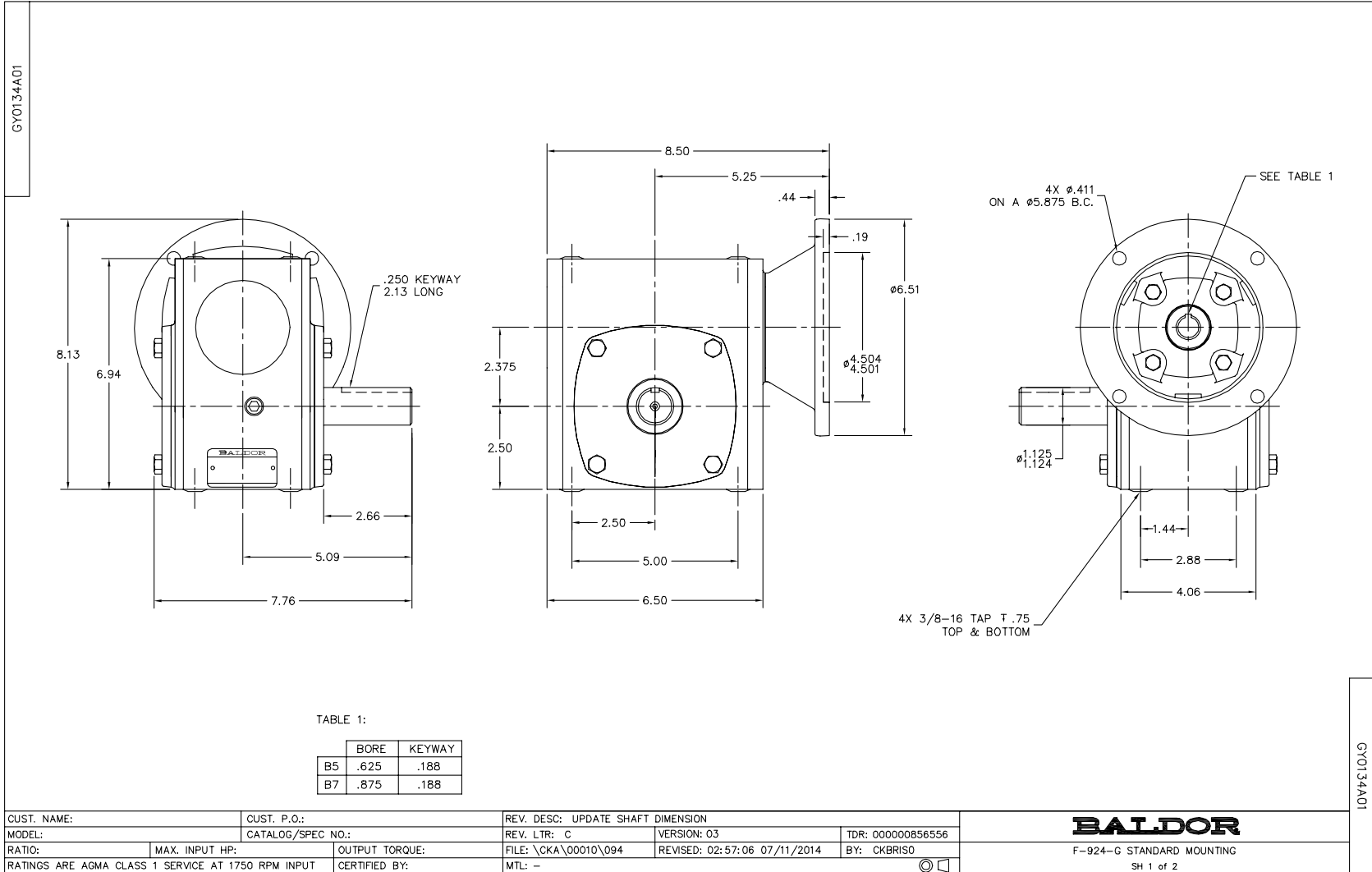
Nameplate NP1753L	
INPUT H.P.	.993
RATIO	40
	R TORQ-INLB 1030
	F-924-40-B5-G
CAT./SPEC	GF4024AG
	GR0134C025
SERIAL NO.	

Parts List		
Part Number	Description	Quantity
HG0018A07	924 WORMGEAR HOUSING, SYMM SEALED	1.000 EA
HW4001A02A01	3/8 HX SOC PIPE PLUG W/.75" TAPER (F/S)	1.000 EA
921-1SR	N5000-244 RET RING	2.000 EA
WM0061B07	924 MTZ WORM ASSY 40:1 RATIO 5/8 W/O	1.000 EA
BG6305A01	6305 OPEN,C3,SLUSH	1.000 EA
HW5060A58	RET RING 5160-98 WALDES FOR .984 OR 1.00	1.000 EA
HA3555A05	EXPANSION PLUG 2.447/2.443 X .28	1.000 EA
HW4600G24	SEAL 35MM X 62MM X 8MM SGL LIP FT802	1.000 EA
GF0005A01	921-3F56 GEAR FLANGE 2.06 & 2.38 CD NEMA	1.000 EA
10XN3118K22	5/16-18 X 1.38" HEX HD, GRADE 5 20043	4.000 EA
HW1001A31	LOCKWASHER 5/16, ZINC PLT.591 OD, .319 I	4.000 EA
BS0021A02	924-5 BEARING SUPPORT, OPEN - FOR SYMM H	1.000 EA
GS0036A01	WORMGEAR GASKET, .003 (GREEN), 4.15 ID X	1.000 EA
GS0036A02	WORMGEAR GASKET, .005 (BLUE), 4.15 ID X	2.000 EA
GS0036A03	WORMGEAR GASKET, .010 (BROWN), 4.15 ID X	2.000 EA
HW4600G32	SEAL 1.125 X 1.624 X 0.250 DBLLIP, FT802	1.000 EA
10XN3118K12	5/16-18 X .75 GRADE 5, ZINC PLATED	4.000 EA
SG0013B12	924 GR SHF ASSY 40:1, SGL O/P, W/COM	1.000 EA
BS0049A02	924-5 BEARING SUPPORT, CLOSED - FOR SYMM	1.000 EA
GS0036A01	WORMGEAR GASKET, .003 (GREEN), 4.15 ID X	1.000 EA
GS0036A02	WORMGEAR GASKET, .005 (BLUE), 4.15 ID X	2.000 EA
GS0036A03	WORMGEAR GASKET, .010 (BROWN), 4.15 ID X	2.000 EA
10XN3118K12	5/16-18 X .75 GRADE 5, ZINC PLATED	4.000 EA
MJ1000A90	KLUBERSYNTH UH1-6-460 WORMGEAR OIL	0.206 GA

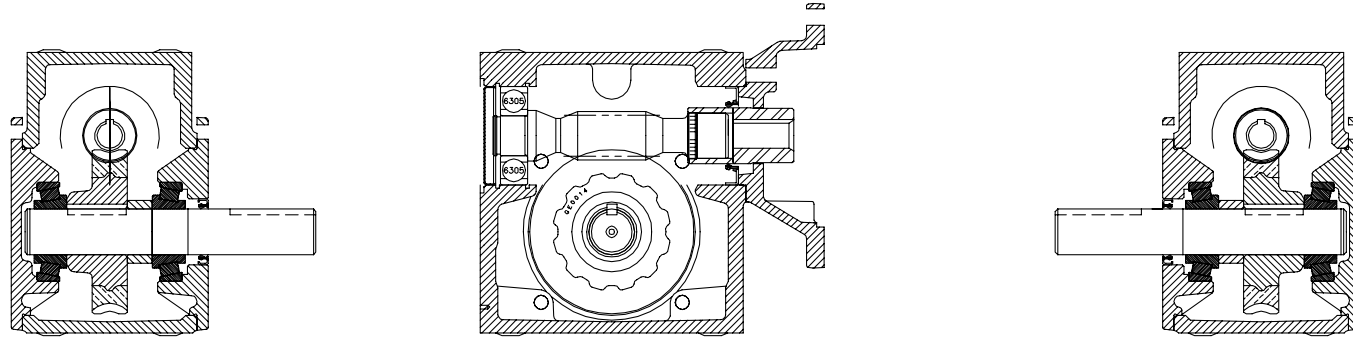
Parts List (continued)		
Part Number	Description	Quantity
MJ5019A01	ADHESIVE LOCTITE #680 WAS BAD4525	0.001 EA
MJ5004A35	ADHESIVE LOCTITE #243-31 50 ML	0.001 EA
MJ5001A19	LOCTITE #598 ULTRA BLACK, 50 LB PAIL, IT	0.010 LB
MG1000G27	S-9282E MED CHARCOAL METALLIC GREY	0.010 GA
LB5042	TOE TAG, OIL PREFILL KLUBERSYN (5000/bx)	1.000 EA
LT0066A08	REDUCER MAINT - KLUBE (1700/bx) 8/09	1.000 EA
NP1753L	RIVETED LASER NP, GEAR REDUCER, UH1 6-46	1.000 EA
LB1242	ADHESIVE PATCH 1.10 X 2.03 X .045 THICK	1.000 EA
G1PA1001	PKG. GROUP, MED GEAR W/G1PK5001A01	1.000 EA
HW2514A02	KEY .250 X 1.250 1045 STEEL	1.000 EA
MJ1000B01	ANTISEIZE - ALTEMP Q NB 50, 750 GRAM CAN	0.001 EA
HW0003D04	USER H/W PKG - 3/8 BOLT, WASHER & 3/8 P	1.000 EA
MG2000A02	RUST VETO-377-HF HOUGHTON	0.001 GA
HA3556A01	CAPPLUGS T-7X, ORM BORE PLUG 5/8 BORE	1.000 EA

Accessories		
Part Number	Description	Multiplier
B24H71	BASE-HORIZONTAL POS. A/B 924	A8
B24V81	BASE-VERTICAL LOW POS. D/F 924	A8
B24V91	BASE-VERTICAL HIGH POS. C/E 924	A8
B24J92	BASE-INPUT VERTICAL POS. X/Y 924	A8
FL24HK	OUTPUT FLANGE KIT, STAMP STEEL 924	A8
RBK24B5	RISER BLOCK KIT 56C/140TC 924	A8


No performance data has been
assigned to this product.



GY0134A01



GY0134A01

CUST. NAME:		CUST. P.O.:		REV. DESC: UPDATE SHAFT DIMENSION			BALDOR
MODEL:		CATALOG/SPEC NO.:		REV. LTR: C	VERSION: 03	TDR: 000000B56556	
RATIO:	MAX. INPUT HP:	OUTPUT TORQUE:	FILE: \CKA\00010\094	REVISED: 02:57:08 07/11/2014	BY: CKBRISO	F-924-G STANDARD MOUNTING	
RATINGS ARE AGMA CLASS 1 SERVICE AT 1750 RPM INPUT		CERTIFIED BY:	MTL: -			SH 2 of 2	