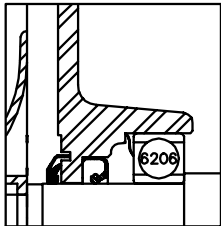
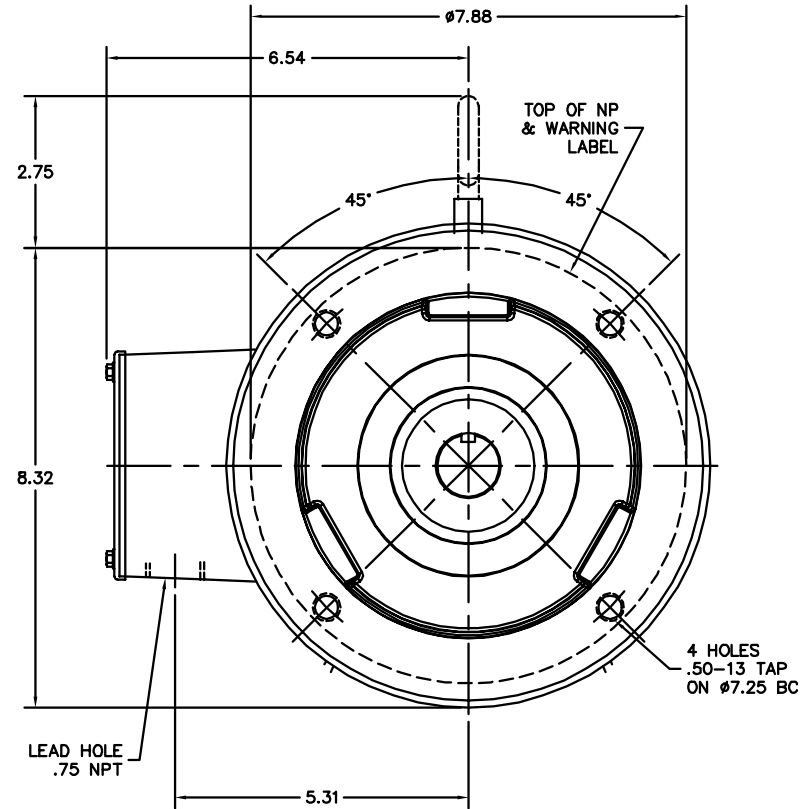
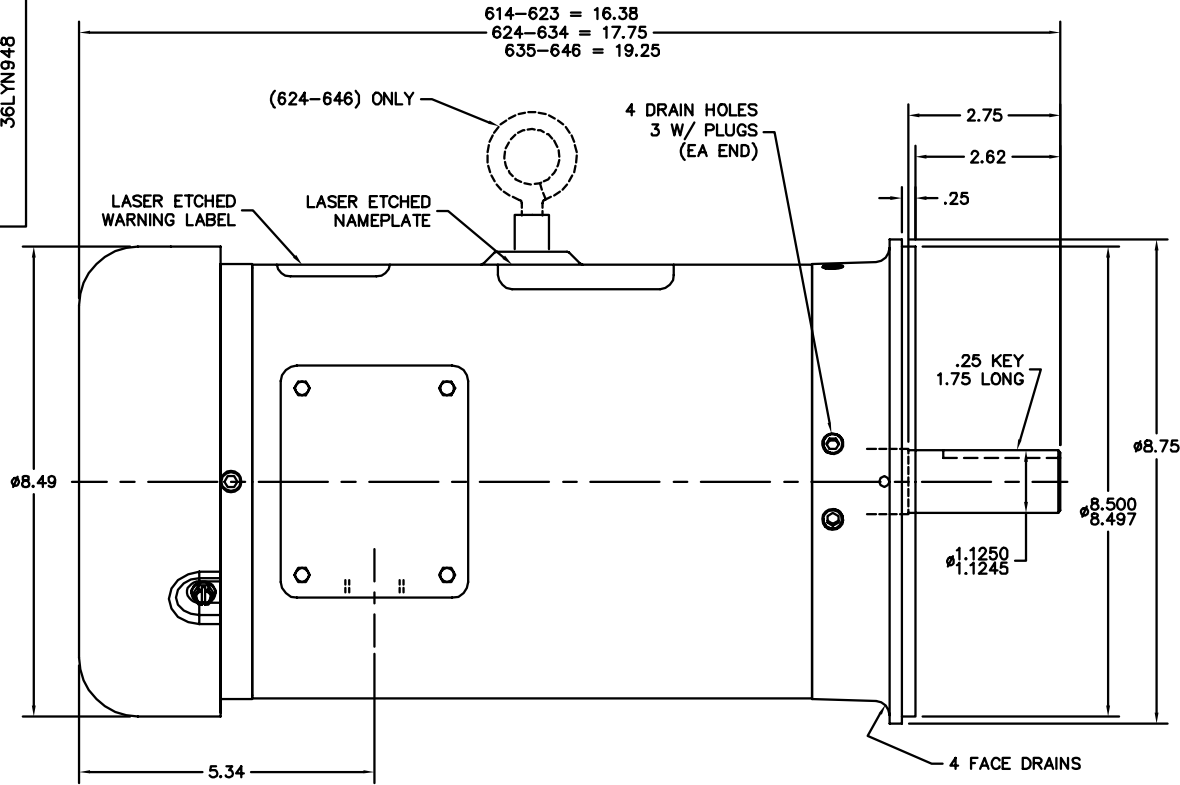
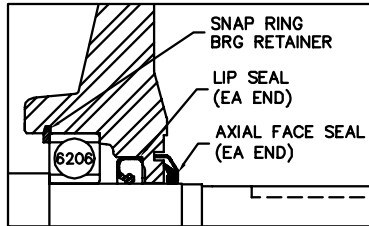


36LYN948



FRONT END DETAIL



PULLEY END DETAIL

CUSTOMER IS RESPONSIBLE FOR DETERMINING THAT BALDOR'S PRODUCT WILL PERFORM SUITABLY IN THE INTENDED APPLICATION.

REV. DESC: REMOVE CAT LASER ETCH GRAPHICS FROM SIDE OF BAND		
REV. LTR: B	VERSION: 02	TDR: 00000953840
FILE: \AAA\00199\863	REVISED: 02:37:16 11/17/2015	BY: ENALEMO
MTL: -		

**BALDOR**

VERT 182-4TC TEFC M WD10

SH 1 of 1

36LYN948