

BALDOR • RELIANCE

Customer information packet

VPECP84316T-4

75HP, 1780RPM, 3PH, 60HZ, 365VP, TEFC, V1

Class - None

Division - Division II

Copyright © All product information within this document is subject to ABB Motors and Mechanical Inc. copyright © protection, unless otherwise noted.

1/21/2025 4:48:22 PM

Specifications

Enclosure	TEFC
Frame	365VP
Frame Material	Iron
Frequency	60.00 Hz
Haz Area Class and Group	None
Haz Area Division	Division II
Motor Letter Type	Three Phase
Output @ Frequency	75.000 HP @ 60 HZ
Phase	3
Synchronous Speed @ Frequency	1800 RPM @ 60 HZ
Voltage @ Frequency	460.0 V @ 60 HZ
Agency Approvals	CCSA US NEMA PREMIUM UR
Ambient Temperature	40 °C
Auxillary Box	No Auxillary Box
Base Indicator	No Mounting
Bearing Grease Type	Polyrex EM (-20F +300F)
Constant Torque Speed Range	15-60
Current @ Voltage	86.000 A @ 460.0 V
Design Code	B
Drip Cover	Drip Cover
Duty Rating	CONT
Efficiency @ 100% Load	95.4 %
Enclosure Modification	841
Feedback Device	NO FEEDBACK
Haz Area Temp Code	T3
Heater Indicator	No Heater
High Voltage Full Load Amps	86.0 a
Insulation Class	F
Inverter Code	Inverter Ready
IP Rating	IP56

Part detail

Revision	F
Type	AC
Mech. spec.	
Base	
Status	PRD/A
Elec. spec.	A36WG1513
Layout	617428-660
Eff. date	03-15-2024
CD Diagram	416820-036
Poles	04
Leads	3#4
Proprietary	False
Created date	02-28-2019

KVA Code	G
Lifting Lugs	Vertical Lifting Lugs
Motor Lead Quantity/Wire Size	3 @ 4 AWG
Motor Standards	NEMA
Motor Type	A36070M
Mounting Arrangement	V1
No Load Current	27.1 a
Number of Poles	4
Overall Length	37.27 IN
Power Factor	86
Product Family	Pump - Centrifugal
Pulley End Bearing Type	Ball
Service Factor	1.15
Shaft Diameter	2.124 IN
Shaft Ground Indicator	No Shaft Grounding
Shaft Rotation	Reversible
Shaft Slinger Indicator	No Slinger
Speed	1780 rpm
Speed Code	Single Speed
Starting Method	Direct on line
Thermal Device - Winding	None

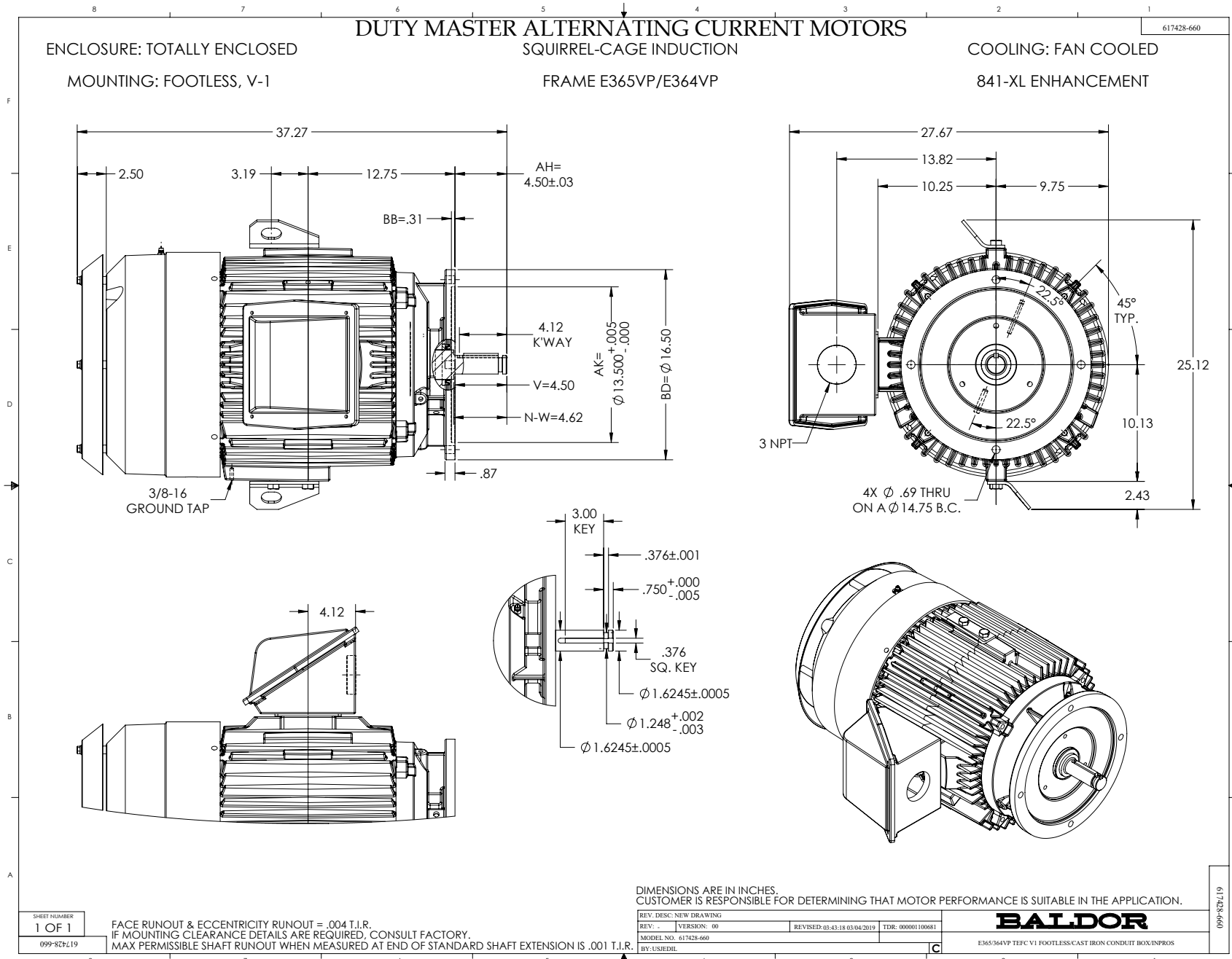
Nameplate

000613007EX

CAT NO	VPECP84316T-4	SPEC NO.	A36-7900-1513	
NO. ROTOR BARS	47	GREASE TYPE	POLYREX EM	
NO. SLOTS	60	NL AMPS AT RATED VOLTAGE	27.1	
5 YEAR WARRANTY		WINDING RES @25 C	.0843	OHMS
MFG. DATE		SER.NO		

NP4566

CAT NO	VPECP84316T-4	SPEC NO.	A36-7900-1513						
HP	75	AMPS	86	VOLTS	460	DESIGN	B		
FRAME SIZE	365VP	RPM	1780	HZ	60	AMB	40	SF	1.15
D.E. BRG.DATA	6313	O.D.E. BRG.DATA	7310	PH	3	DUTY	CONT	INSUL.CLASS	F
D.E. BRG.	65BC03JP30X	TYPE	ENCL	TEFC	CODE	G			
O.D.E. BRG.	BA2B_459310	POWER FACTOR	86	NEMA-NOM-EFFICIENCY	95.4				
3/4 LOAD EFF.	95.7	IP	56	MAX CORR KVAR	16	GUARANTEED EFFICIENCY	94.5		
TEMP CODE	T3	TEMP =	200						
CHP HZ	60-90	CT HZ	15-60	VT HZ	0-60				
INVERTER-TEMP-CODE	T3								
SER.NO.		MOTOR WEIGHT							



416820-036

A-C MOTOR
CONNECTION DIAGRAM
STANDARD 3 LEAD CONNECTED



(N.P. 1575-BA)

416820-036

REV. DESC: LOADED TO BUS, C/R 335225		
REV. LTR: -	VERSION: 00	TDR: 000000538207
FILE: \MGA\00000\682	REVISED: 11: 54: 06 04/30/2010	
MTL: -	BY: RAGRA	

BALDOR

CONN DIAG - STANDARD 3 LEAD
SH 1 of 1