

BALDOR • RELIANCE

Customer information packet

VLECP82334T-4

20HP, 1770RPM, 3PH, 60HZ, 256LP, TEFC, V1

Class - CLI GP A,B,C,D

Division - Division II

Copyright © All product information within this document is subject to ABB Motors and Mechanical Inc. copyright © protection, unless otherwise noted.

1/21/2025 4:35:02 PM

Specifications

Enclosure	TEFC
Frame	256LP
Frame Material	Iron
Frequency	60.00 Hz
Haz Area Class and Group	CLI GP A,B,C,D
Haz Area Division	Division II
Motor Letter Type	Three Phase
Output @ Frequency	20.000 HP @ 60 HZ
Phase	3
Synchronous Speed @ Frequency	1800 RPM @ 60 HZ
Voltage @ Frequency	460.0 V @ 60 HZ
Agency Approvals	UR NEMA PREMIUM CSA EEV CCSA US
Ambient Temperature	40 °C
Auxillary Box	No Auxillary Box
Auxillary Box Lead Termination	None
Base Indicator	No Mounting
Bearing Grease Type	Polyrex EM (-20F +300F)
Blower	None
Constant Torque Speed Range	1.3
Current @ Voltage	23.000 A @ 460.0 V
Design Code	B
Drip Cover	Drip Cover
Duty Rating	CONT
Efficiency @ 100% Load	93.0 %
Electrically Isolated Bearing	Not Electrically Isolated
Enclosure Modification	841
Feedback Device	NO FEEDBACK
Haz Area Temp Code	T3C
Heater Indicator	No Heater

Part detail

Revision	G
Type	AC
Mech. spec.	
Base	
Status	PRD/A
Elec. spec.	10WGY977
Layout	10LY-000-527
Eff. date	11-22-2024
CD Diagram	CD0006
Poles	04
Leads	3#10
Proprietary	False
Created date	05-02-2019

High Voltage Full Load Amps	23.0 a
Insulation Class	F
Inverter Code	Inverter Duty
IP Rating	IP56
KVA Code	G
Lifting Lugs	Vertical Lifting Lugs
Locked Bearing Indicator	Locked Bearing
Max Speed	2700 rpm
Motor Lead Termination	Ring Terminals
Motor Standards	NEMA
Motor Type	1046M
Mounting Arrangement	V1
Number of Poles	4
Overall Length	34.56 IN
Power Factor	84
Product Family	Chem Process S/P 32-8 IEEE 841
Pulley Face Code	P-Base
Rodent Screen	None
Service Factor	1.15
Shaft Diameter	1.625 IN
Shaft Ground Indicator	No Shaft Grounding
Shaft Rotation	Reversible
Speed	1770 rpm
Speed Code	Single Speed
Starting Method	Direct on line
Thermal Device - Bearing	None
Thermal Device - Winding	None
Vibration Sensor Indicator	No Vibration Sensor
Winding Thermal 1	None
Winding Thermal 2	None

Nameplate

NP4332

STK.NO.	VLECP82334T-4	P/N		ENCLOSURE	TEFC
SPEC.	10-0000-0757	CC	010A	FRAME	256LP
HP	20	CLASS	F	HZ	60
RPM	1770	RPM MAX	2700	ODE BRG	7309
VOLT	460	PH	3	DE BRG	6213
AMP	23	DES	B	D.E. BRG.	65BC02X30X
RATING	40C AMB-CONT	PH	3	D.E. BRG.	65BC02X30X
NEMA-NOM-EFF	93	KVA-CODE	G	O.D.E. BRG.	45BT03X30X
G.MIN.EFF	91.7	MOTOR WEIGHT	420	GREASE	POLYREX EM
TEMP CODE	T3C	MAX. KVAR	5.1	BLANK	
TEMP =	160	# OF ROTOR BARS	40	SER.F.	1.15
CT HZ FROM	1.3	# OF STATOR SLOTS	48	IP	56
HTR-VOLTS		PF	84	INV.TYPE	PWM
HTR-AMPS		INVERTER-TEMP-CODE	180		
HTR-WATTS		C HP FR	60	C HP TO	90
MAX. SPACE HEATER TEMP.		CT HZ TO	60		
VT HZ FROM	0			VT HZ TO	60

AC Induction Motor Performance Data

Record # 51457

Typical performance - not guaranteed values

Winding: 10WGY977-R017		Type: 1046M		Enclosure: TEFC	
Nameplate Data			460 V, 60 Hz: Single Voltage Motor		
Rated Output (HP)	20	Full Load Torque	59.3 LB-FT		
Volts	460	Start Configuration	direct on line		
Full Load Amps	23	Breakdown Torque	189 LB-FT		
R.P.M.	1770	Pull-up Torque	76.6 LB-FT		
Hz	60	Phase	3	Locked-rotor Torque	95.9 LB-FT
NEMA Design Code	B	KVA Code	G	Starting Current	145 A
Service Factor (S.F.)	1.15		No-load Current	7.85 A	
NEMA Nom. Eff.	93	Power Factor	84	Line-line Res. @ 25°C	0.368 Ω
Rating - Duty	40C AMB-CONT		Temp. Rise @ Rated Load	40°C	
S.F. Amps			Temp. Rise @ S.F. Load	47°C	
			Locked-rotor Power Factor	31.8	
			Rotor inertia	3.66 LB-FT ²	

Load Characteristics 460 V, 60 Hz, 20 HP

% of Rated Load	25	50	75	100	125	150	S.F.
Power Factor	57	78	85	87	88	87	88
Efficiency	88.4	92.3	93.5	93.5	93.3	92.6	93.3
Speed	1793	1785	1779	1771	1763	1755	1766
Line amperes	9.5	13.1	17.7	22.9	28.4	34.6	26.2

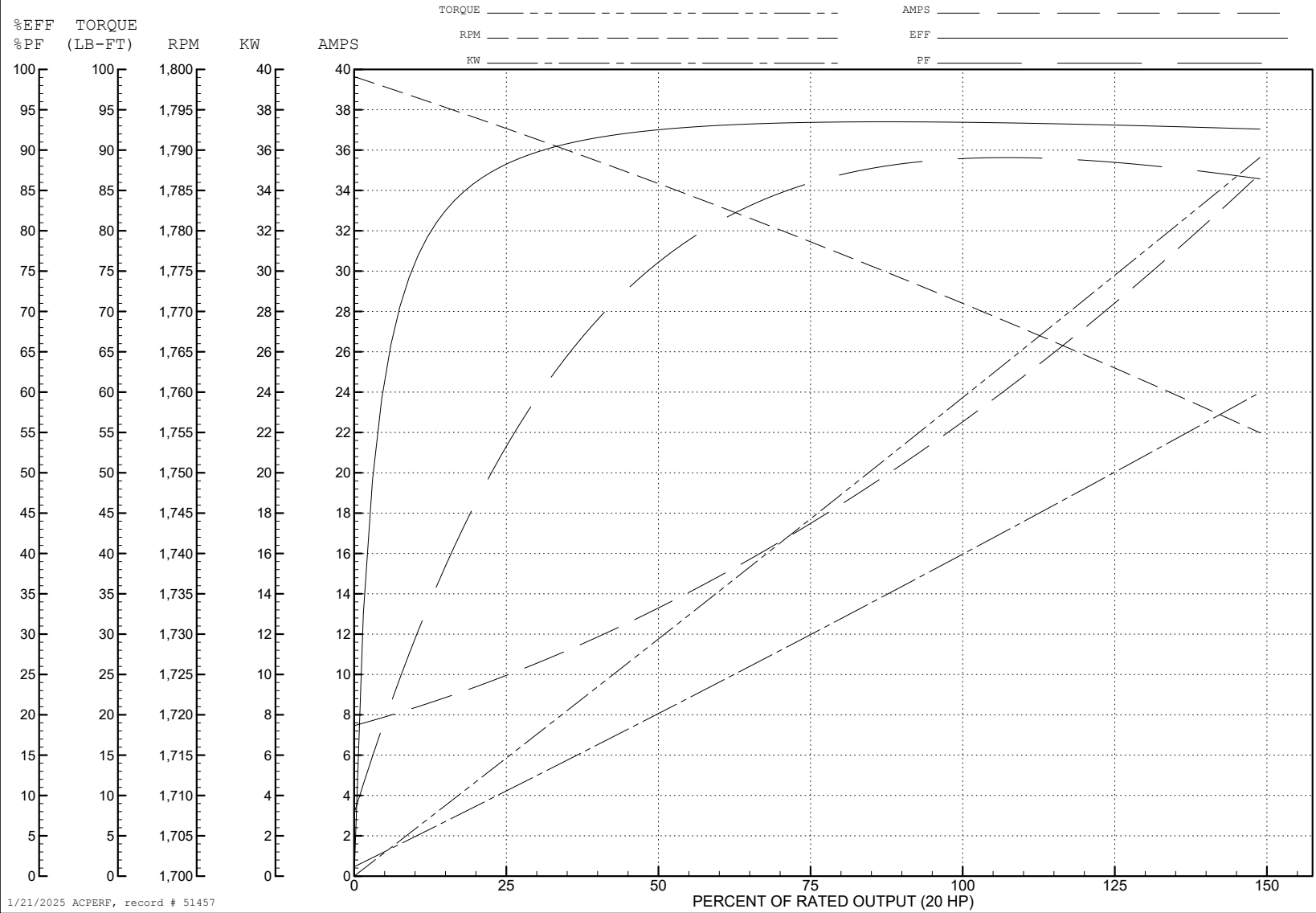
ABB Motors and Mechanical Inc.

WINDING # 10WGY977

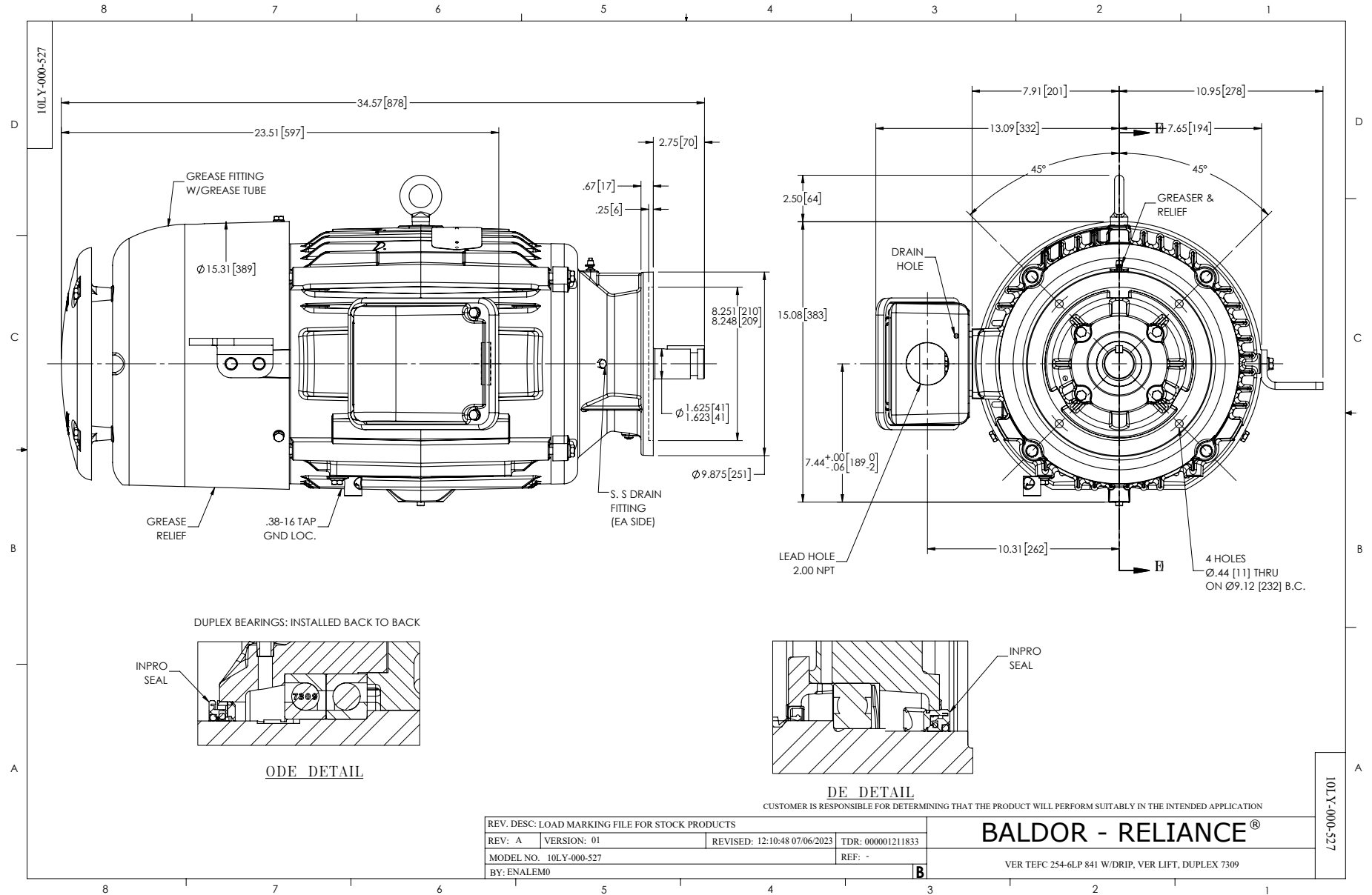
Typical performance - not guaranteed values.

20 HP 3 PH 60 HZ 1770 RPM 460 V 1046M

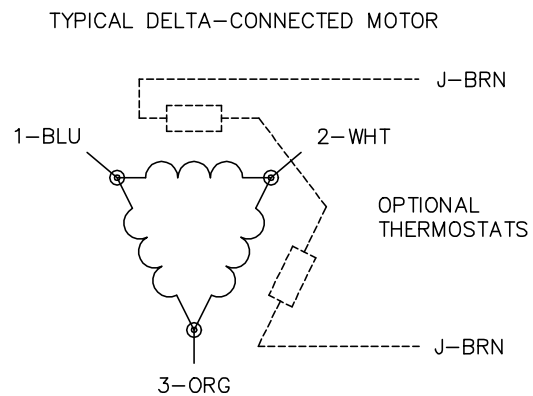
TORQUES (LB-FT): PO=189 PU=76.6 LR=95.9 LRA=145



1/21/2025 ACPERF, record # 51457



CD0006



NOTES:

1. THREE LEAD MOTOR MAY BE EITHER WYE CONNECTED OR DELTA CONNECTED.
2. INTERCHANGE ANY TWO LINE LEADS TO REVERSE ROTATION.
3. OPTIONAL THERMOSTATS ARE PROVIDED WHEN SPECIFIED.
4. ACTUAL NUMBER OF INTERNAL PARALLEL CIRCUITS MAY VARY.
5. LEAD COLORS ARE OPTIONAL. LEADS MUST BE NUMBERED AS SHOWN.

CD0006

REV. DESC: ADD CLASS CONN00000007		
REV. LTR: E	VERSION: 01	TDR: 000001099922
FILE: \AAA\00005\141	REVISED: 10:24:49 02/19/2019	BY: ENBRIRO
MTL: -		© □

BALDOR - RELIANCE®

3PH, SV, 3 LEADS, WYE OR DELTA CONNECTED

SH 1 of 1