

BALDOR® • RELIANCE 

Product Information Packet

VJPFPM2542T

50//40HP,3520//2930RPM,3PH,60//50HZ,324J

Part Detail							
Revision:	H	Status:	PRD/A	Change #:		Proprietary:	No
Type:	AC	Elec. Spec:	40WGX319	CD Diagram:	CD0104	Mfg Plant:	
Mech. Spec:	40L037	Layout:	40LYL037	Poles:	02	Created Date:	09-17-2015
Base:	N	Eff. Date:	08-22-2018	Leads:	12#8		

Specs			
Catalog Number:	VJPFPM2542T	Heater Indicator:	No Heater
Enclosure:	OPSB	Insulation Class:	F
Frame:	324JP	Inverter Code:	Not Inverter
Frame Material:	Steel	KVA Code:	G
Output @ Frequency:	40.000 HP @ 50 HZ	Lifting Lugs:	Vertical Lifting Lugs
	50.000 HP @ 60 HZ	Locked Bearing Indicator:	Locked Bearing
Synchronous Speed @ Frequency:	3000 RPM @ 50 HZ	Motor Lead Quantity/Wire Size:	12 @ 8 AWG
Voltage @ Frequency:	460.0 V @ 60 HZ	Motor Lead Exit:	Ko Box
	380.0 V @ 50 HZ	Motor Lead Termination:	Flying Leads
	230.0 V @ 60 HZ	Motor Type:	4044M
	190.0 V @ 50 HZ	Mounting Arrangement:	F1
Agency Approvals:	CSA EEV	Power Factor:	87
	UL	Product Family:	Fire Pump Motor
Auxillary Box:	No Auxillary Box	Pulley End Bearing Type:	Ball
Auxillary Box Lead Termination:	None	Pulley Face Code:	C-Face
Base Indicator:	No Mounting	Pulley Shaft Indicator:	Tapped & Key
Bearing Grease Type:	Polyrex EM (-20F +300F)	Rodent Screen:	Included
Blower:	None	Shaft Extension Location:	Pulley End

Current @ Voltage:	58.000 A @ 460.0 V	Shaft Ground Indicator:	No Shaft Grounding
	56.000 A @ 380.0 V	Shaft Rotation:	Reversible
	116.000 A @ 230.0 V	Shaft Slinger Indicator:	Shaft Slinger
	112.000 A @ 190.0 V	Speed Code:	Single Speed
Design Code:	B	Motor Standards:	NEMA
Drip Cover:	Drip Cover	Starting Method:	Wye Start - Delta Run
Duty Rating:	CONT	Thermal Device - Bearing:	None
Electrically Isolated Bearing:	Not Electrically Isolated	Thermal Device - Winding:	None
Feedback Device:	NO FEEDBACK	Vibration Sensor Indicator:	No Vibration Sensor
Front Face Code:	Drip Cover Mounting	Winding Thermal 1:	None
Front Shaft Indicator:	None	Winding Thermal 2:	None

Nameplate NP3454L											
CAT.NO.	VJPFPM2542T			CUST P/N				I.P.	23		
SPEC.	40L037X319H2			SER.NO.				FRAME	324JP		
HZ	60	HP	50	RPM	3520	HZ	50	HP	40	RPM	2930
VOLTS	230/460			CODE	G	VOLTS	190/380			CODE	G
AMPS	116/58			DES	B	AMPS	112/56			DES	B
EFF	92.4	SER.F.	1.15	PF	87	EFF	91.7	SER.F.	1.15	PF	87
RATING	40C AMB-CONT			DE BRG	6312			GREASE	POLYREX EM		
BLANK				ODE BRG	6309			MTR. WT.	523		
				CLASS	F			PH	3		
				ENCL	OPSB			CC	010A		
HTR-VOLTS		HTR-AMPS		HTR-WATTS							

Parts List		
Part Number	Description	Quantity
SA312114	SA 40L037X319H2	1.000 EA
RA299552	RA 40L037X319H2	1.000 EA
HA6361A01	LIFTING LUG FOR 37, 39 & 40 FRAME ZINC	2.000 EA
HA6017	CAST ADAPTER, 40,42 KOBX	1.000 EA
19XW3118A12	.31-18 X .75 HEX WASHER HEAD TAPTITE II	2.000 EA
HW1001A31	LOCKWASHER 5/16, ZINC PLT.591 OD, .319 I	2.000 EA
WD1000B25	GND LUG, BURNDY L125HP OR T&B L125HP-BB	1.000 EA
19XW3118G08	.31-18X.50,HEX WSHR HD,TAPTITE 2,GREEN	1.000 EA
10CB3001	CONDUIT BOX CAST W/2.500 LEAD HOLE	1.000 EA
19XW3118A12	.31-18 X .75 HEX WASHER HEAD TAPTITE II	4.000 EA
HW1001A31	LOCKWASHER 5/16, ZINC PLT.591 OD, .319 I	4.000 EA
40EP3200A01	STD FREP OPEN 309 BRG W/DRIP COVER	1.000 EA
HA1166A06	RODENT SCREEN FOR 40 ENDPLATE 40EP3200.	1.000 EA
51XW1032A06	10-32 X .38, TAPTITE II, HEX WSHR SLTD S	4.000 EA
HW5100A11	W3917-042 WVY WSHR (WB)	1.000 EA
40EP1401A03	FR ENDPLATE, MACH OPEN NEMA 324-6T W/SCR	1.000 EA
HA1166A02	RODENT SCREEN FOR 40 ENDPLATE 40EP1300A.	1.000 EA
51XW1032A06	10-32 X .38, TAPTITE II, HEX WSHR SLTD S	4.000 EA
10XN3118K40	5/16-18 X 2.50" HEX HD, GRADE 5	4.000 EA
HW1001A31	LOCKWASHER 5/16, ZINC PLT.591 OD, .319 I	4.000 EA
XY3816A12	3/8-16 FINISHED NUT	8.000 EA
HA7205	"L" SHAPE LIFTING LUG FOR 37,39 & 40 FRA	2.000 EA
40FH2500A01	SP'L DRIP COVER MODEL 40- OPEN	1.000 EA
10XN2520K12	1/4-20 X.75 GRD 5	2.000 EA

Parts List (continued)		
Part Number	Description	Quantity
10CB3500SP	CONDUIT BOX LID, CAST	1.000 EA
51XW2520A12	.25-20 X .75, TAPTITE II, HEX WSHR SLTD	4.000 EA
HA2009A04	39-81 SLINGER (STERLING)	1.000 EA
80XN1032A06	10-32 X 3/8 SET SC HEX SOCK	1.000 EA
HW2501E22	KEY, 1/4 SQ X 2.500	1.000 EA
LB1115N	LABEL,LIFTING DEVICE (ON ROLLS)	1.000 EA
HW4500A03	GREASE FITTING, .125 NPT 1610(ALEMITE) 8	1.000 EA
HW4500A20	1/8NPT SL PIPE PLUG	1.000 EA
HA4051A00	PLASTIC CAP FOR GREASE FITTING	1.000 EA
MJ1000A02	GREASE, MOBIL POLYREX EM - 124047	0.050 LB
HW4500A03	GREASE FITTING, .125 NPT 1610(ALEMITE) 8	1.000 EA
HW4500A20	1/8NPT SL PIPE PLUG	1.000 EA
HA4051A00	PLASTIC CAP FOR GREASE FITTING	1.000 EA
HA3159A06	THRUBOLT- .38-16 X 19.00 LONG STUD	4.000 EA
MG1025R44	WILKOFASST, 784.109, CARMINE RED #3002	0.050 GA
85XU0407S04	4X1/4 U DRIVE PIN STAINLESS	2.000 EA
40AD2002C01	LEXAN BAFFLE 40 FR OPEN	1.000 EA
40AD2002C01	LEXAN BAFFLE 40 FR OPEN	1.000 EA
LB1119N	WARNING LABEL	1.000 EA
LC0104A01	CONNECTION DIAGRAM	1.000 EA
NP3454L	ALUM FIRE PUMP MOTOR(LEGACY/BALDOR ONLY)	1.000 EA
40PA1010	PACKAGING GROUP, PRINT PK1151A06	1.000 EA
MN416A01	TAG-INSTAL-MAINT no wire (1200/bx) 3/19	1.000 EA

AC Induction Motor Performance Data

Record # 52895 - Typical performance - not guaranteed values

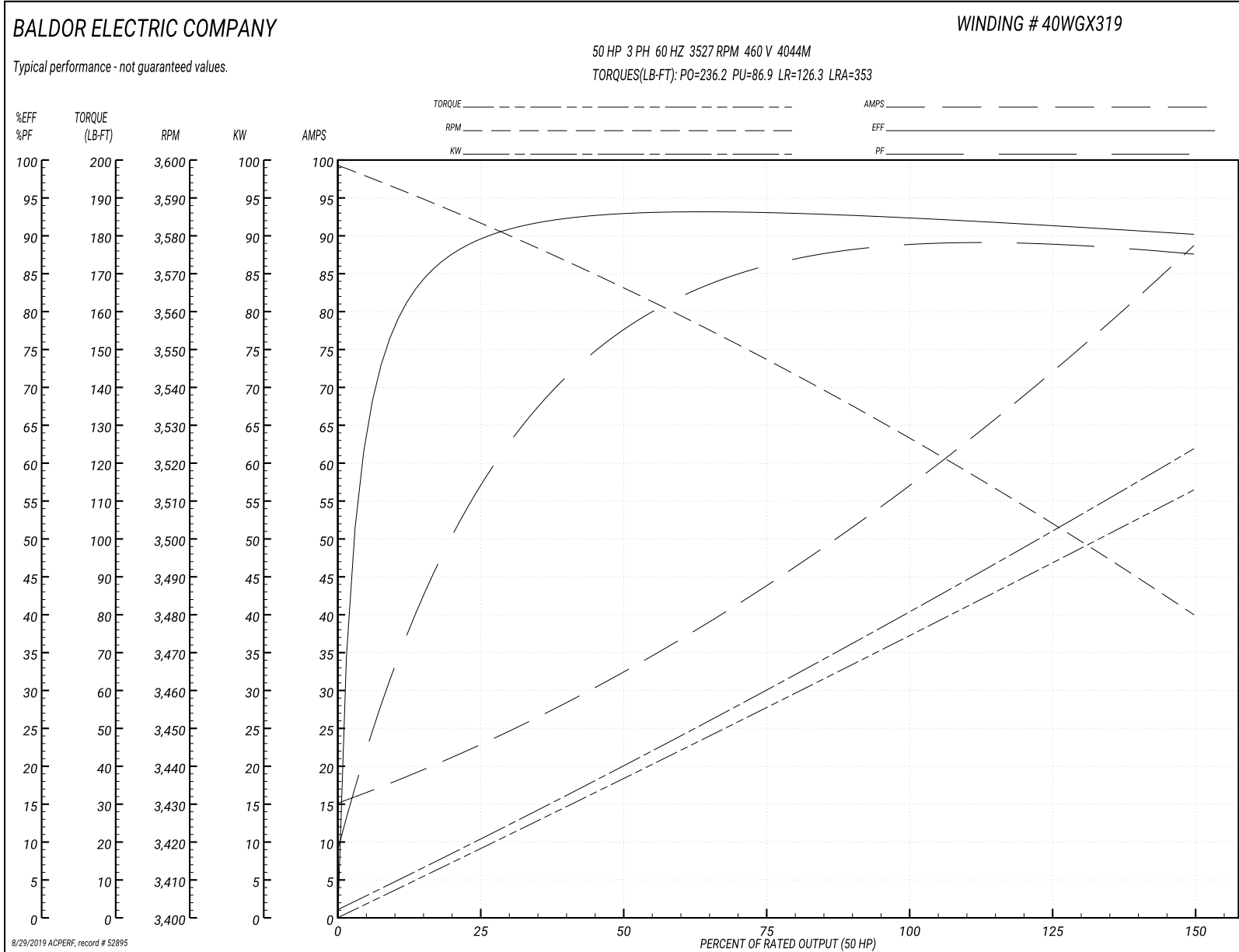
Winding: 40WGX319-R001	Type: 4044M	Enclosure: OPSB
-------------------------------	--------------------	------------------------

Nameplate Data				460 V, 60 Hz: High Voltage Connection	
Rated Output (HP)	50//40			Full Load Torque	74.2 LB-FT
Volts	230/460//190/380			Start Configuration	direct on line
Full Load Amps	116/58//112/56			Breakdown Torque	236.2 LB-FT
R.P.M.	3520//2930			Pull-up Torque	86.9 LB-FT
Hz	60//50	Phase	3	Locked-rotor Torque	126.3 LB-FT
NEMA Design Code	B	KVA Code	G	Starting Current	353 A
Service Factor (S.F.)	1.15			No-load Current	16.1 A
NEMA Nom. Eff.	92.4	Power Factor	87	Line-line Res. @ 25°C	0.157 Ω
Rating - Duty	40C AMB-CONT			Temp. Rise @ Rated Load	44°C
S.F. Amps				Temp. Rise @ S.F. Load	59°C
				Locked-rotor Power Factor	24
				Rotor inertia	1.89 LB-FT ²

Load Characteristics 460 V, 60 Hz, 50 HP

% of Rated Load	25	50	75	100	125	150	S.F.
Power Factor	62	79	85	87	88	88	88
Efficiency	89.4	92.6	93	92.5	91.6	90.4	92
Speed	3583	3565	3547	3527	3505	3479	3514
Line amperes	21.8	32	44.3	57.9	72.6	88.2	66.7

Performance Graph at 460V, 60Hz, 50.0HP Typical performance - Not guaranteed values



AC Induction Motor Performance Data

Record # 52896 - Typical performance - not guaranteed values

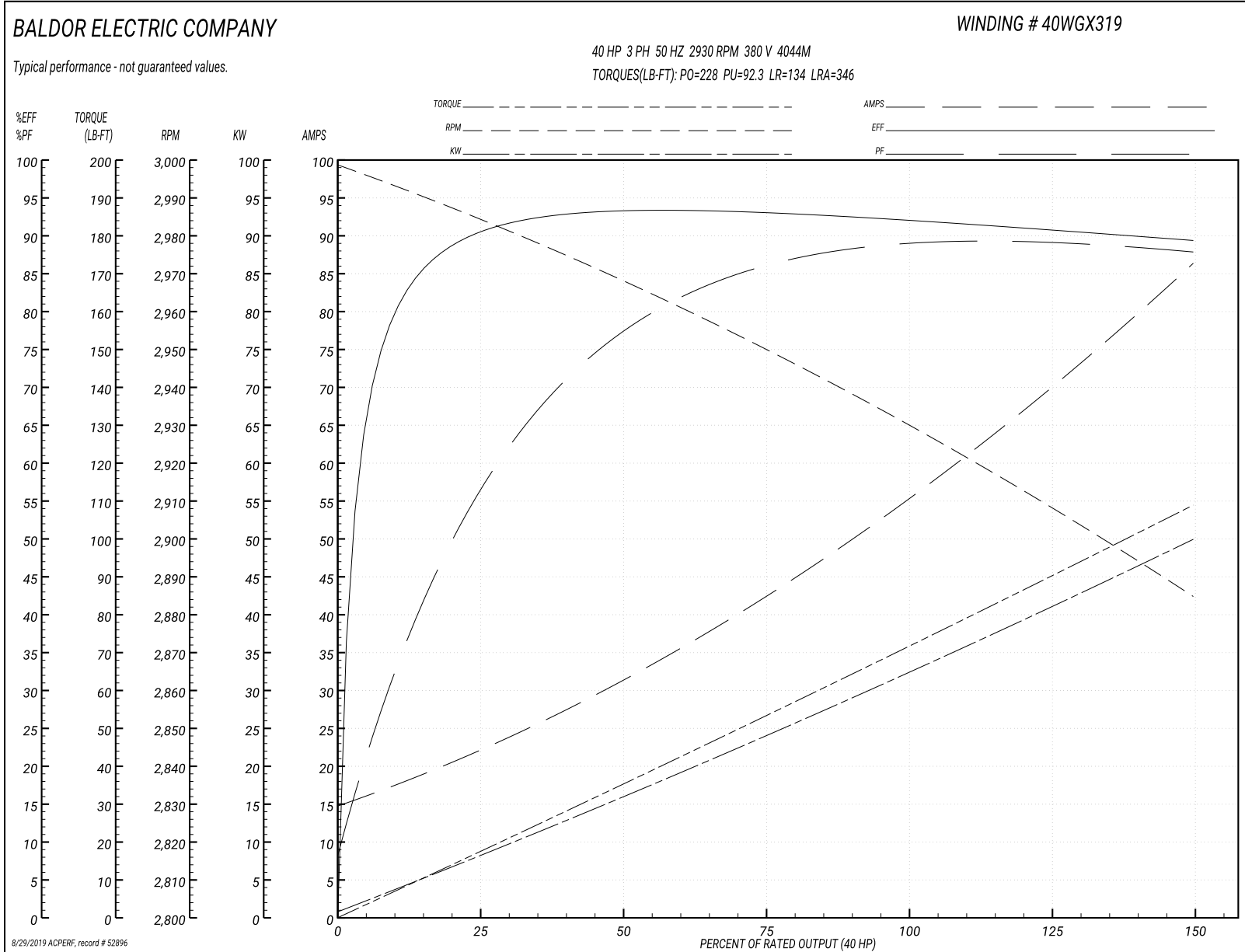
Winding: 40WGX319-R001	Type: 4044M	Enclosure: OPSB
-------------------------------	--------------------	------------------------

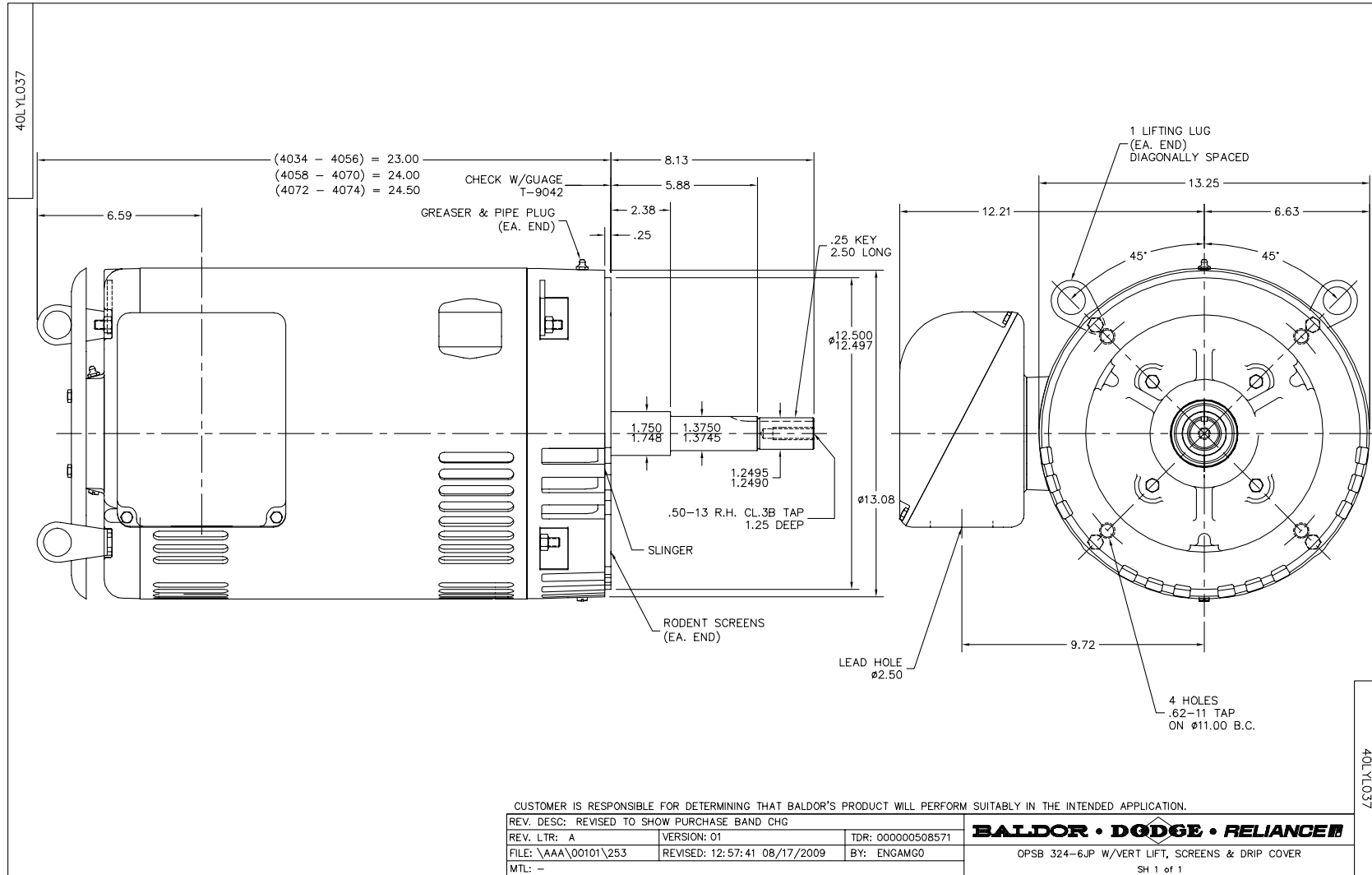
Nameplate Data				380 V, 50 Hz: High Voltage Connection	
Rated Output (HP)	50//40			Full Load Torque	71.4 LB-FT
Volts	230/460//190/380			Start Configuration	direct on line
Full Load Amps	116/58//112/56			Breakdown Torque	228 LB-FT
R.P.M.	3520//2930			Pull-up Torque	92.3 LB-FT
Hz	60//50	Phase	3	Locked-rotor Torque	134 LB-FT
NEMA Design Code	B	KVA Code	G	Starting Current	346 A
Service Factor (S.F.)	1.15			No-load Current	15.7 A
NEMA Nom. Eff.	92.4	Power Factor	87	Line-line Res. @ 25°C	0.171 Ω
Rating - Duty	40C AMB-CONT			Temp. Rise @ Rated Load	42°C
S.F. Amps				Temp. Rise @ S.F. Load	52°C
				Locked-rotor Power Factor	27.5
				Rotor inertia	1.89 LB-FT ²

Load Characteristics 380 V, 50 Hz, 40 HP

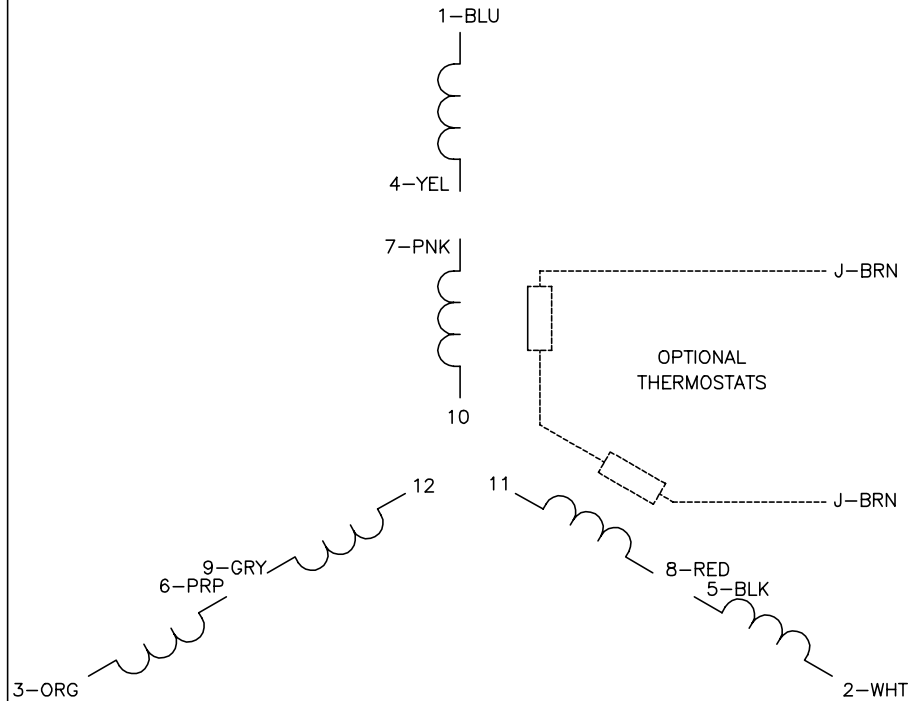
% of Rated Load	25	50	75	100	125	150	S.F.
Power Factor	61	79	86	87	89	89	88
Efficiency	90.4	92.8	93.2	92	91.2	89.2	91.5
Speed	2984	2967	2950	2930	2909	2884	2917
Line amperes	21.1	30.9	42.9	56.2	70.5	85.9	64.8

Performance Graph at 380V, 50Hz, 40.0HP Typical performance - Not guaranteed values

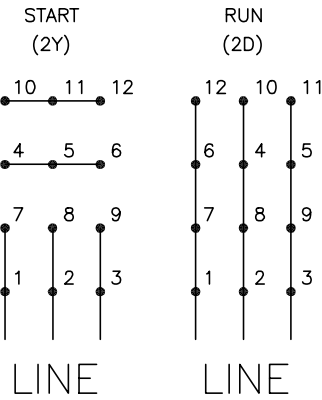




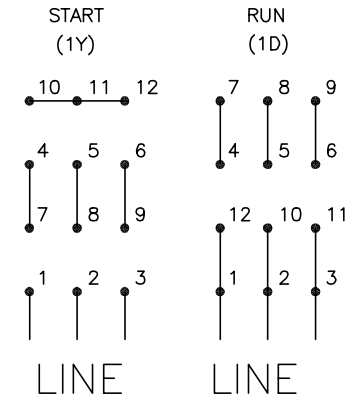
CD0104



LOW VOLTAGE



HIGH VOLTAGE



NOTES:

1. INTERCHANGE ANY TWO LINE LEADS TO REVERSE ROTATION.
2. OPTIONAL THERMOSTATS ARE PROVIDED WHEN SPECIFIED.
3. ACTUAL NUMBER OF INTERNAL PARALLEL CIRCUITS MAY BE A MULTIPLE OF THOSE SHOWN ABOVE.
4. LEAD COLORS ARE OPTIONAL. LEADS MUST ALWAYS BE NUMBERED AS SHOWN.

CD0104

REV. DESC: ADD CLASS CONN00000007		
REV. LTR: D	VERSION: 01	TDR: 000001099922
FILE: \AAA\00008\377	REVISED: 09:02:55 02/19/2019	BY: ENBRIRO
MTL: -	© □	

BALDOR - RELIANCE®

3PH, DV, 12 LEADS, Y START/D RUN

SH 1 of 1