

BALDOR • RELIANCE

Customer information packet

VFSWDM3558-E

2HP, 1765RPM, 3PH, 60HZ, 56C, 3528M, TEFC, F1, N

Class - None

Division - Not Applicable

Copyright © All product information within this document is subject to ABB Motors and Mechanical Inc. copyright © protection, unless otherwise noted.

1/21/2025 4:18:59 PM

Specifications

Enclosure	TEFC
Frame	56C
Frame Material	Stainless Steel
Frequency	60.00 Hz
Haz Area Class and Group	None
Haz Area Division	Not Applicable
Motor Letter Type	Three Phase
Output @ Frequency	2.000 HP @ 60 HZ
Phase	3
Synchronous Speed @ Frequency	1800 RPM @ 60 HZ
Voltage @ Frequency	230.0 V @ 60 HZ 460.0 V @ 60 HZ
Agency Approvals	CSA EEV NEMA PREMIUM NEMA_PREMIUM UR
Ambient Temperature	40 °C
Auxillary Box	No Auxillary Box
Auxillary Box Lead Termination	None
Base Indicator	No Mounting
Bearing Grease Type	Polyrex EM (-20F +300F)
Blower	None
Current @ Voltage	5.600 A @ 208.0 V 5.300 A @ 230.0 V 2.650 A @ 460.0 V
Design Code	B
Drip Cover	No Drip Cover
Duty Rating	CONT
Efficiency @ 100% Load	86.5 %
Electrically Isolated Bearing	Not Electrically Isolated
Feedback Device	NO FEEDBACK
Front Shaft Indicator	None

Part detail

Revision	J
Type	AC
Mech. spec.	35E4649
Base	
Status	PRD/A
Elec. spec.	35WGZ821
Layout	35LYE4649
Eff. date	09-07-2023
CD Diagram	CD0005
Poles	04
Leads	9#18 Y
Proprietary	False
Created date	11-23-2021

Heater Indicator	No Heater
High Voltage Full Load Amps	2.7 a
Insulation Class	H
Inverter Code	Inverter Duty
KVA Code	K
Lifting Lugs	No Lifting Lugs
Locked Bearing Indicator	Locked Bearing
Motor Finish	UNPAINTED
Motor Lead Quantity/Wire Size	9 @ 18 AWG
Motor Lead Termination	Flying Leads
Motor Standards	NEMA
Motor Type	3528M
Mounting Arrangement	F1
Number of Poles	4
Overall Length	13.96 IN
Power Factor	81
Product Family	WD All SD Non-Encapsulated
Pulley End Bearing Type	Sealed Bearing
Pulley Face Code	C-Face
Pulley Shaft Indicator	Standard
Rodent Screen	None
Service Factor	1.15
Shaft Diameter	0.625 IN
Shaft Ground Indicator	No Shaft Grounding
Shaft Rotation	Reversible
Shaft Slinger Indicator	No Slinger
Speed	1765 rpm
Speed Code	Single Speed
Starting Method	Direct on line
Thermal Device - Bearing	None
Thermal Device - Winding	None
Vibration Sensor Indicator	No Vibration Sensor
Winding Thermal 1	None
Winding Thermal 2	None

Nameplate

NP4427AAA01									
CAT #	VFSWDM3558-E			WT	45	LBS			
SPEC	35E4649Z821G1			ENCL	TEFC				
SER #				CC	010A	IP	69		
HP	2		MAG CUR	2.8/1.4					
VOLTS	230/460			NEMA NOM. EFF	86.5				
AMPS	5.3/2.65			PF	81				
RATING	40C AMB-CONT								
RPM	1765			MAX RPM	2700				
FRAME	56C	HZ	60	CODE	K	CLASS	H		
SER.F.	1.15	SF AMP	6/3		PH	3	DES	B	
DE	6205		ODE	6205					
LUBRICATION	POLYREX EM								
ID LOGO	INVERTER TYPE	VPWM	CHP	60	TO	90	1.5:1		
ID LOGO	WK2	0.202	CT	15	TO	60	4:1		
ID LOGO	SL HZ	1.2	VT	3	TO	60	20:1		
				QR					
YR									

AC Induction Motor Performance Data

Record # 87359

Preliminary Data Sheet

Winding: 35WGZ821-R001		Type: 3528M		Enclosure: TEFC	
Nameplate Data			460 V, 60 Hz: High Voltage Connection		
Rated Output (HP)	2		Full Load Torque	5.97 LB-FT	
Volts	230/460		Start Configuration	direct on line	
Full Load Amps	5.6/2.8		Breakdown Torque	21 LB-FT	
R.P.M.	1760		Pull-up Torque	11.9 LB-FT	
Hz	60 Phase	3	Locked-rotor Torque	15.1 LB-FT	
NEMA Design Code	B KVA Code	K	Starting Current	22.5 A	
Service Factor (S.F.)	1.15		No-load Current	1.55 A	
NEMA Nom. Eff.	86.5 Power Factor	81	Line-line Res. @ 25°C	9.54 Ω	
Rating - Duty	40C AMB-CONT		Temp. Rise @ Rated Load	64°C	
S.F. Amps	6.3/3.15		Temp. Rise @ S.F. Load	77°C	
			Locked-rotor Power Factor	57.9	
			Rotor inertia	0.202 LB-FT ²	

Load Characteristics 460 V, 60 Hz, 2 HP

% of Rated Load	25	50	75	100	125	150	S.F.
Power Factor	36	57	70	78	82	85	83
Efficiency	79.5	86.2	87.4	87	85.7	83.9	86.3
Speed	1791	1782	1772	1762	1750	1738	1758
Line amperes	1.64	1.91	2.3	2.78	3.33	3.94	3.02

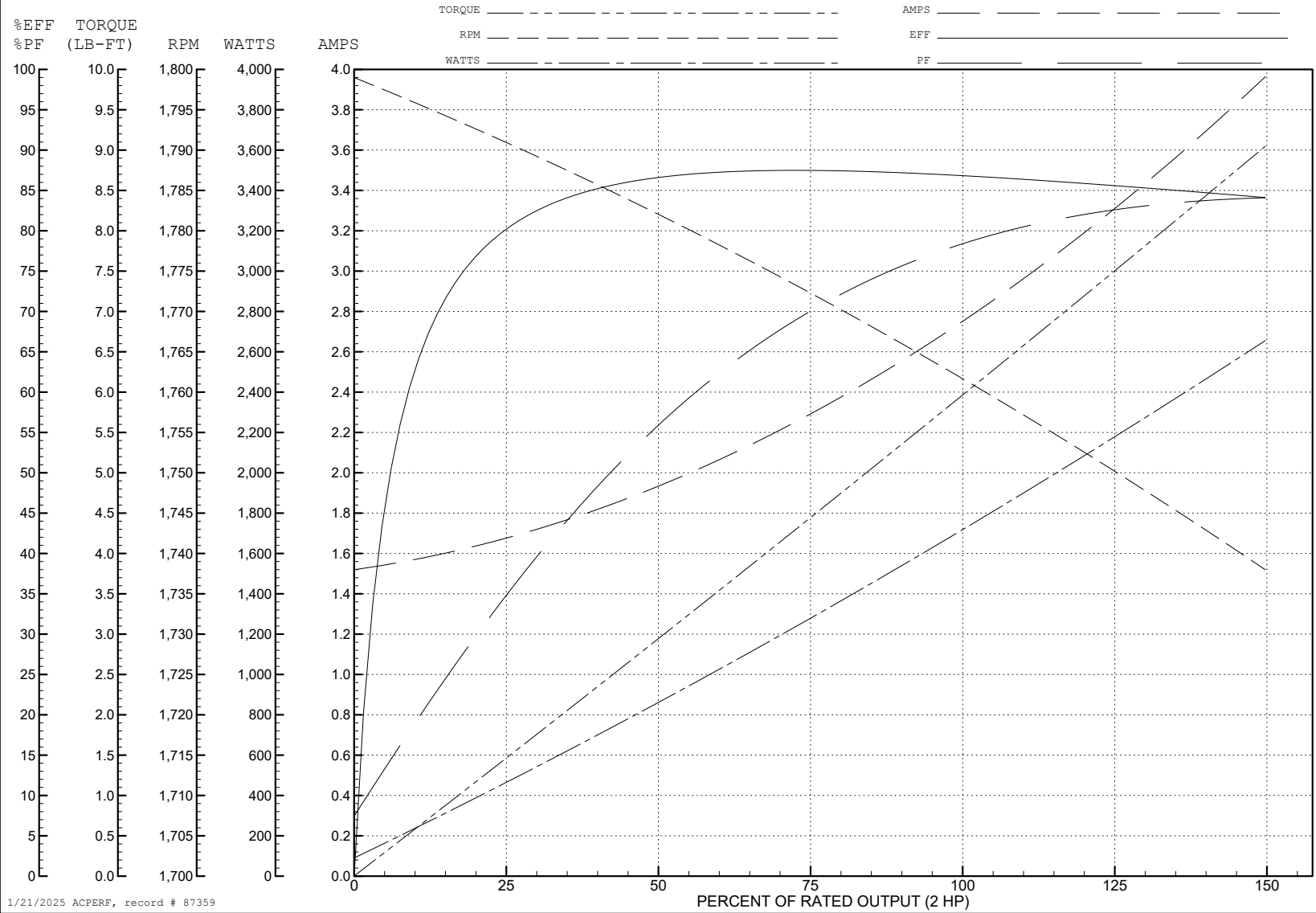
ABB Motors and Mechanical Inc.

WINDING # 35WGZ821

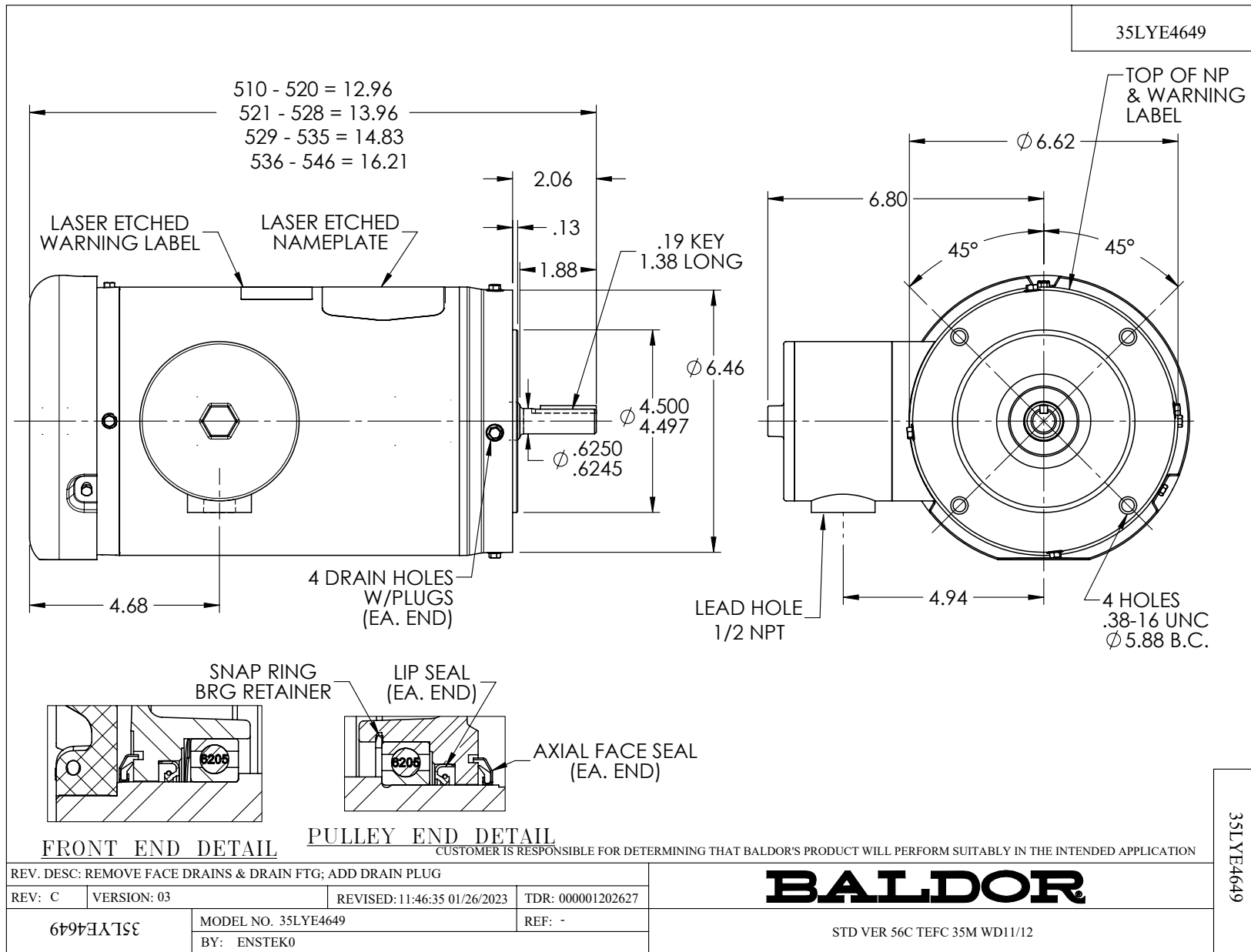
Typical performance - not guaranteed values.

2 HP 3 PH 60 HZ 1760 RPM 460 V 3528M

TORQUES (LB-FT): PO=21 PU=11.9 LR=15.1 LRA=22.5



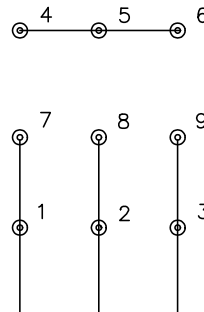
1/21/2025 ACPERF, record # 87359



CD0005

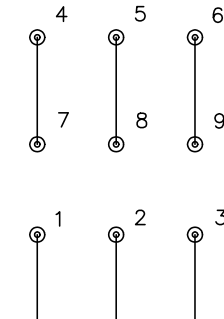


LOW VOLTAGE
(2Y)



LINE

HIGH VOLTAGE
(1Y)



LINE

NOTES:

1. INTERCHANGE ANY TWO LINE LEADS TO REVERSE ROTATION.
2. OPTIONAL THERMOSTATS ARE PROVIDED WHEN SPECIFIED.
3. ACTUAL NUMBER OF INTERNAL PARALLEL CIRCUITS MAY BE A MULTIPLE OF THOSE SHOWN ABOVE.
4. LEAD COLORS ARE OPTIONAL. LEADS MUST ALWAYS BE NUMBERED AS SHOWN.

REV. DESC: REVISE TO SHOW OPTIONAL COLORS			
REV. LTR: E	BY: JLP	REVISED: 01/19/99 10:15	TDR: 0171435
S00000		FILE: AAA00005140	MDL: -
		MTL: -	

BALDOR ELECTRIC Co.

3PH, DV, 9 LEADS

CD0005