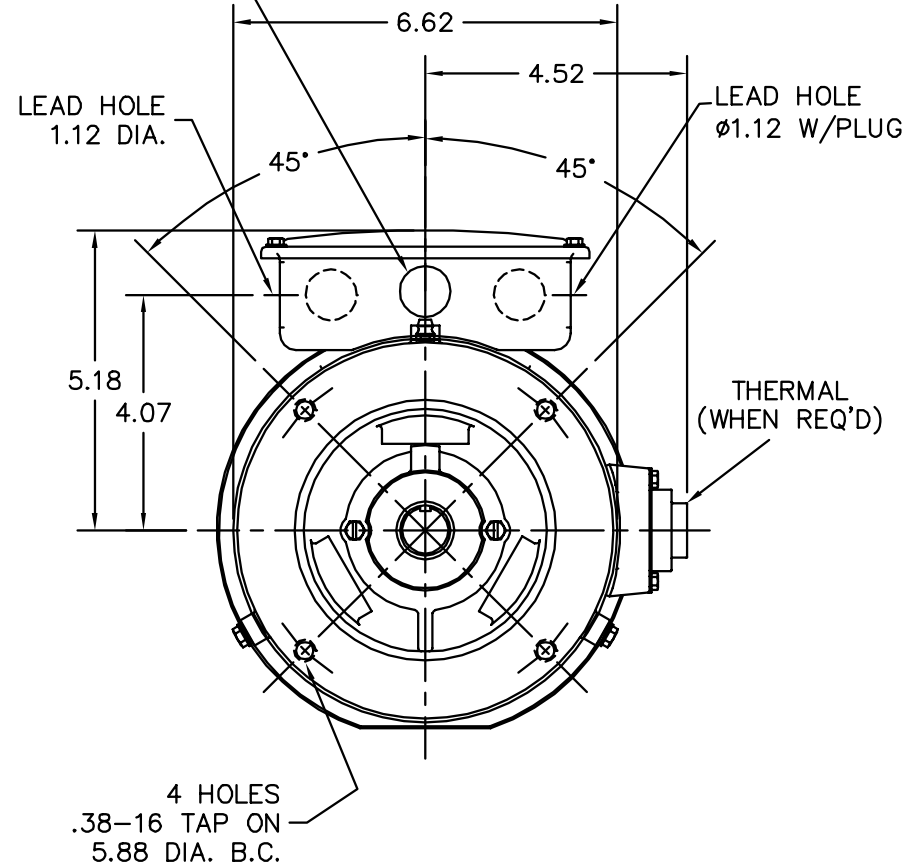
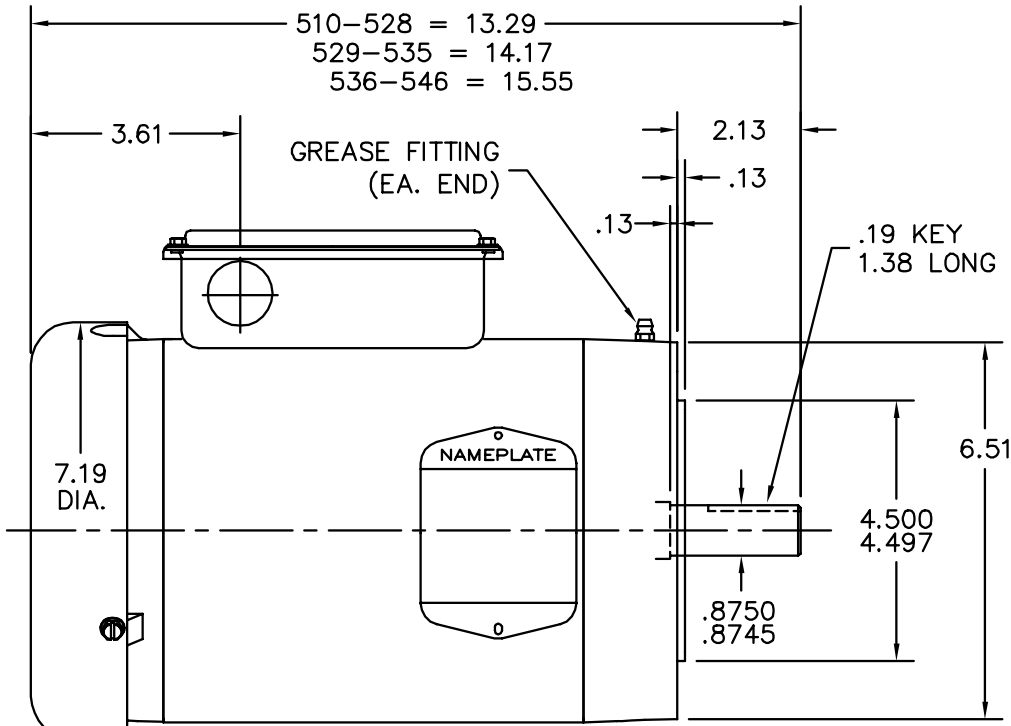


1 X ϕ .88 KNOCKOUT (PU. END)
 2 X ϕ .88 KNOCKOUTS (FR. END)



CUSTOMER IS RESPONSIBLE FOR DETERMINING THAT MOTOR PERFORMANCE IS SUITABLE IN THE APPLICATION.

REV. DESC: UPDATE GRAPHICS PER SALES REQUEST		
REV. LTR: A	VERSION: 01	TDR: 000000448495
618M179C	FILE: \AAA\00150\453	REVISED: 16: 20: 41 12/04/2007
	MTL: -	BY: ENFREHO

BALDOR ELECTRIC Co.

VERT 143-5TC TEFC M W/35CB4007