

NOTE:

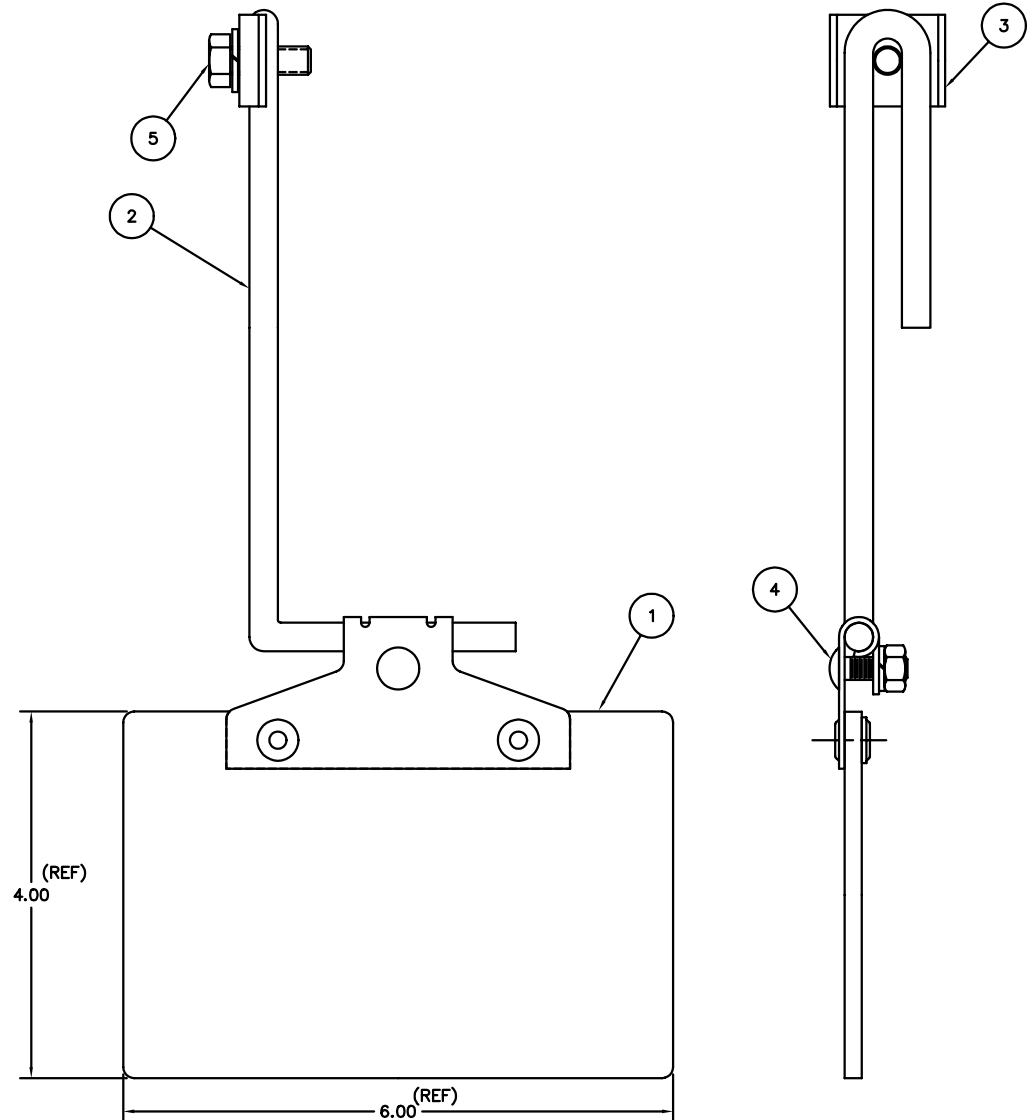
1. PACK 2 EYESHIELDS IN CARTON WITH ARMS ②
PLACED IN CENTER BETWEEN LINER & GLASS.
2. PACK 2 EACH PART NOS. ③ & ⑤ IN BAG
WITH INSTRUCTION SHEET #354D

PART NO.

- ① G7AP5003A01 (EYEGASS ASSY) (2)
- ② HA6103A01 (2)
- ③ HA6094A01 (2)
- ④ 83XN2520A12, HW1001A25, & XY2520A12 (2)
- ⑤ 10XN3118A14 HEX HD. W/L.W. HW1001A31 (2)

CARTON = G6PK5001A01

CAT. NO. GA11



MATL:		REF NO: G7AP5003A01
REV: H	UPDATED & LOADED TO ACAD	
SCALE: .75	BY: JKH	REVISED: 06/12/98
FILE: AAA00035889	TDR: 0102551	

BALDOR ELECTRIC Co.

EYESHIELD ASSEMBLY FOR GRINDERS