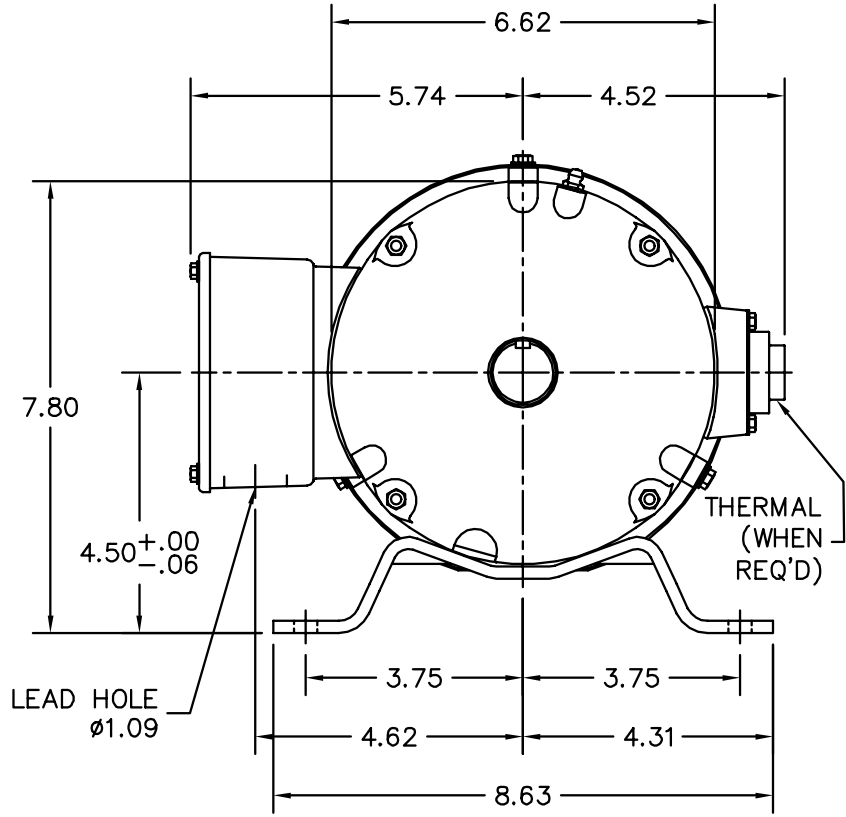


PULLEY END DETAIL



CUSTOMER IS RESPONSIBLE FOR DETERMINING THAT BALDOR'S PRODUCT WILL PERFORM SUITABLY IN THE INTENDED APPLICATION.

REV. DESC: UPDATE KOLD AND BAND		
REV. LTR: L	VERSION: 02	TDR: 00000950460
FILE: \AAA\00011\872	REVISED: 07:34:06 10/28/2015	BY: ENBENBO
MTL: -	⊙ □	

**BALDOR**

STD HORZ 182-4T TEFC 35M

SH 1 of 1