

# **BALDOR**® • **RELIANCE**

## **Product Information Packet**

# **EJMM2511T**

**10HP, 1180RPM, 3PH, 60HZ, 256JM, 3954M, OPSB, F**

Part Detail							
Revision:	D	Status:	PRD/A	Change #:		Proprietary:	No
Type:	AC	Elec. Spec:	39WG950	CD Diagram:	CD0180	Mfg Plant:	
Mech. Spec:	39K62	Layout:	39LYK062	Poles:	06	Created Date:	06-05-2015
Base:	RG	Eff. Date:	10-02-2017	Leads:	9#12		

Specs			
Catalog Number:	EJMM2511T	Front Shaft Indicator:	None
Enclosure:	OPSB	Heater Indicator:	No Heater
Frame:	256JM	Insulation Class:	F
Frame Material:	Steel	Inverter Code:	Inverter Ready
Output @ Frequency:	10.000 HP @ 60 HZ	KVA Code:	J
Synchronous Speed @ Frequency:	1200 RPM @ 60 HZ	Lifting Lugs:	Standard Lifting Lugs
Voltage @ Frequency:	460.0 V @ 60 HZ	Locked Bearing Indicator:	Locked Bearing
	230.0 V @ 60 HZ	Motor Lead Quantity/Wire Size:	9 @ 12 AWG
XP Class and Group:	None	Motor Lead Exit:	Ko Box
XP Division:	Not Applicable	Motor Lead Termination:	Flying Leads
Agency Approvals:	UR	Motor Type:	3954M
	CSA EEV	Mounting Arrangement:	F1
	CSA	Power Factor:	71
Auxillary Box:	No Auxillary Box	Product Family:	General Purpose
Auxillary Box Lead Termination:	None	Pulley End Bearing Type:	Ball
Base Indicator:	Rigid	Pulley Face Code:	C-Face
Bearing Grease Type:	Polyrex EM (-20F +300F)	Pulley Shaft Indicator:	Tapped & Key
Blower:	None	Rodent Screen:	Included

<b>Current @ Voltage:</b>	14.300 A @ 460.0 V	<b>Shaft Extension Location:</b>	Pulley End
	28.600 A @ 230.0 V	<b>Shaft Ground Indicator:</b>	No Shaft Grounding
	30.000 A @ 208.0 V	<b>Shaft Rotation:</b>	Reversible
<b>Design Code:</b>	A	<b>Shaft Slinger Indicator:</b>	Shaft Slinger
<b>Drip Cover:</b>	No Drip Cover	<b>Speed Code:</b>	Single Speed
<b>Duty Rating:</b>	CONT	<b>Motor Standards:</b>	NEMA
<b>Electrically Isolated Bearing:</b>	Not Electrically Isolated	<b>Starting Method:</b>	Direct on line
<b>Feedback Device:</b>	NO FEEDBACK	<b>Thermal Device - Bearing:</b>	None
<b>Front Face Code:</b>	Standard	<b>Thermal Device - Winding:</b>	None
		<b>Vibration Sensor Indicator:</b>	No Vibration Sensor

Nameplate NP1259L													
CAT.NO.	EJMM2511T												
SPEC.	39K062W950G4												
HP	10												
VOLTS	230/460												
AMP	28.6/14.3												
RPM	1180												
FRAME	256JM					HZ	60			PH	3		
SER.F.	1.15					CODE	J		DES	A		CL	F
NEMA-NOM-EFF	91.7					PF	71						
RATING	40C AMB-CONT												
CC	010A									USABLE AT 208V	30		
DE	6309					ODE	6208						
ENCL	OPSB					SN							

Parts List		
Part Number	Description	Quantity
SA302188	SA 39K062W950G4	1.000 EA
RA289274	RA 39K062W950G4	1.000 EA
S/P107-000-005	SUPER-E PROC'S(254/6 FR.) ZK PLANT - POL	1.000 EA
HA6361A01	LIFTING LUG FOR 37, 39 & 40 FRAME ZINC	2.000 EA
HA6016	ADAPTER, CAST CONDUIT BOX	1.000 EA
09CB3002SP	CB W/1.38 LEAD HOLE FOR 37, 39, 307 & 30	1.000 EA
51XW2520A12	.25-20 X .75, TAPTITE II, HEX WSHR SLTD	2.000 EA
HW1001A25	LOCKWASHER 1/4, ZINC PLT .493 OD, .255 I	2.000 EA
WD1000B16	T&B CX70TN TERMINAL	1.000 EA
59XW2520G07	.25-20X.44,HEX SER WSHR,TAPTITE 2,GREEN	1.000 EA
39EP3400A01	STD FACE MTD ENDPLATE 309 BRG	1.000 EA
39EP3200A01SP	FR/PU ENDPLATE, MACH	1.000 EA
HA4051A00	PLASTIC CAP FOR GREASE FITTING	1.000 EA
HA1101A01	RODENT SCREEN, 39 MTR	1.000 EA
11XW1032G06	10-32 X .38, TAPTITE II, HEX WSHR SLTD U	4.000 EA
HW5100A08	W3118-035 WVY WSHR (WB)	1.000 EA
10XN2520K28	1/4-20 X 1.75" HX HD SCRWGRADE 5, ZINC P	4.000 EA
HW1001A25	LOCKWASHER 1/4, ZINC PLT .493 OD, .255 I	4.000 EA
HA4051A00	PLASTIC CAP FOR GREASE FITTING	1.000 EA
HA1101A03	RODENT SCREEN, 39 FACE MTD.E.P.	1.000 EA
11XW1032G06	10-32 X .38, TAPTITE II, HEX WSHR SLTD U	4.000 EA
HW4600B67	V-RING SLINGER 1.770 X 2.170 X .28 VITON	1.000 EA
XY3816A12	3/8-16 FINISHED NUT	8.000 EA
09CB3501SP	CONDUIT BOX LID FOR 09CB3001 & 09CB3002	1.000 EA

<b>Parts List (continued)</b>		
<b>Part Number</b>	<b>Description</b>	<b>Quantity</b>
51XW2520A12	.25-20 X .75, TAPTITE II, HEX WSHR SLTD	2.000 EA
HW2501E18	KEY, 1/4 SQ X 2.000	1.000 EA
LB1115N	LABEL,LIFTING DEVICE (ON ROLLS)	1.000 EA
HW4500A03	GREASE FITTING, .125 NPT 1610(ALEMITE) 8	1.000 EA
HW4500A20	1/8NPT SL PIPE PLUG	1.000 EA
MJ1000A02	GREASE, POLYREX EM EXXON (USe 4824-15A)	0.030 LB
HW4500A03	GREASE FITTING, .125 NPT 1610(ALEMITE) 8	1.000 EA
HW4500A20	1/8NPT SL PIPE PLUG	1.000 EA
MG1000Y03	MUNSELL 2.53Y 6.70/ 4.60, GLOSS 20,	0.050 GA
85XU0407S04	4X1/4 U DRIVE PIN STAINLESS	2.000 EA
39AD2002A01	BAFFLE PLATE 39 OPEN, SLOTTED BAND MTRS	1.000 EA
39AD2002A01	BAFFLE PLATE 39 OPEN, SLOTTED BAND MTRS	1.000 EA
HA3154A03	STUD, 3/8-16 X 17.75	4.000 EA
LB1119N	WARNING LABEL	1.000 EA
LC0181	CONNECTION LABEL	1.000 EA
NP1259L	ALUM SUPER-E UL CSA-EEV CC NEMA PREMIUM	1.000 EA
39PA1000	PACKAGING GROUP 39 PRINT	1.000 EA
MN416A01	TAG-INSTAL-MAINT no wire (1100/bx) 11/14	1.000 EA

**AC Induction Motor Performance Data**

Record # 13008 - Typical performance - not guaranteed values

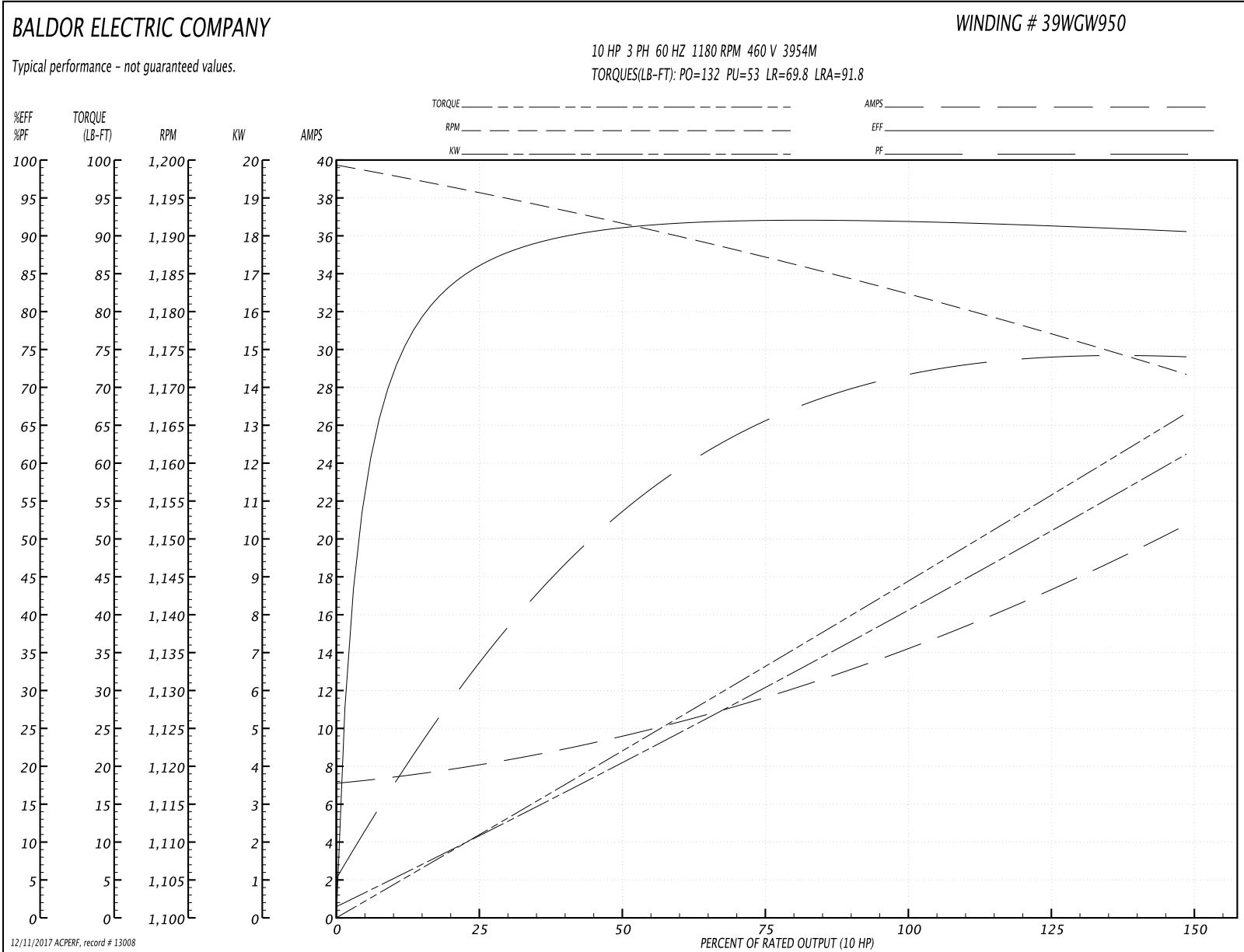
<b>Winding:</b> 39WGW950-R001	<b>Type:</b> 3954M	<b>Enclosure:</b> OPSB
-------------------------------	--------------------	------------------------

Nameplate Data				460 V, 60 Hz: High Voltage Connection	
Rated Output (HP)	10			Full Load Torque	44.4 LB-FT
Volts	230/460			Start Configuration	direct on line
Full Load Amps	28.6/14.3			Breakdown Torque	132 LB-FT
R.P.M.	1180			Pull-up Torque	53 LB-FT
Hz	60	Phase	3	Locked-rotor Torque	69.8 LB-FT
NEMA Design Code	A	KVA Code	J	Starting Current	91.8 A
Service Factor (S.F.)	1.15			No-load Current	7.16 A
NEMA Nom. Eff.	91.7	Power Factor	71	Line-line Res. @ 25°C	0.746 Ω
Rating - Duty	40C AMB-CONT			Temp. Rise @ Rated Load	22°C
S.F. Amps				Temp. Rise @ S.F. Load	29°C
				Locked-rotor Power Factor	25.9
				Rotor inertia	4.34 LB-FT <sup>2</sup>

Load Characteristics 460 V, 60 Hz, 10 HP

% of Rated Load	25	50	75	100	125	150	S.F.
Power Factor	34	54	65	71	74	75	73
Efficiency	85.7	91	92	92	91.4	90.5	91.6
Speed	1196	1192	1187	1182	1177	1172	1179
Line amperes	8.04	9.52	11.7	14.25	17.29	20.7	16.07

Performance Graph at 460V, 60Hz, 10.0HP Typical performance - Not guaranteed values



**AC Induction Motor Performance Data**

Record # 33857 - Typical performance - not guaranteed values

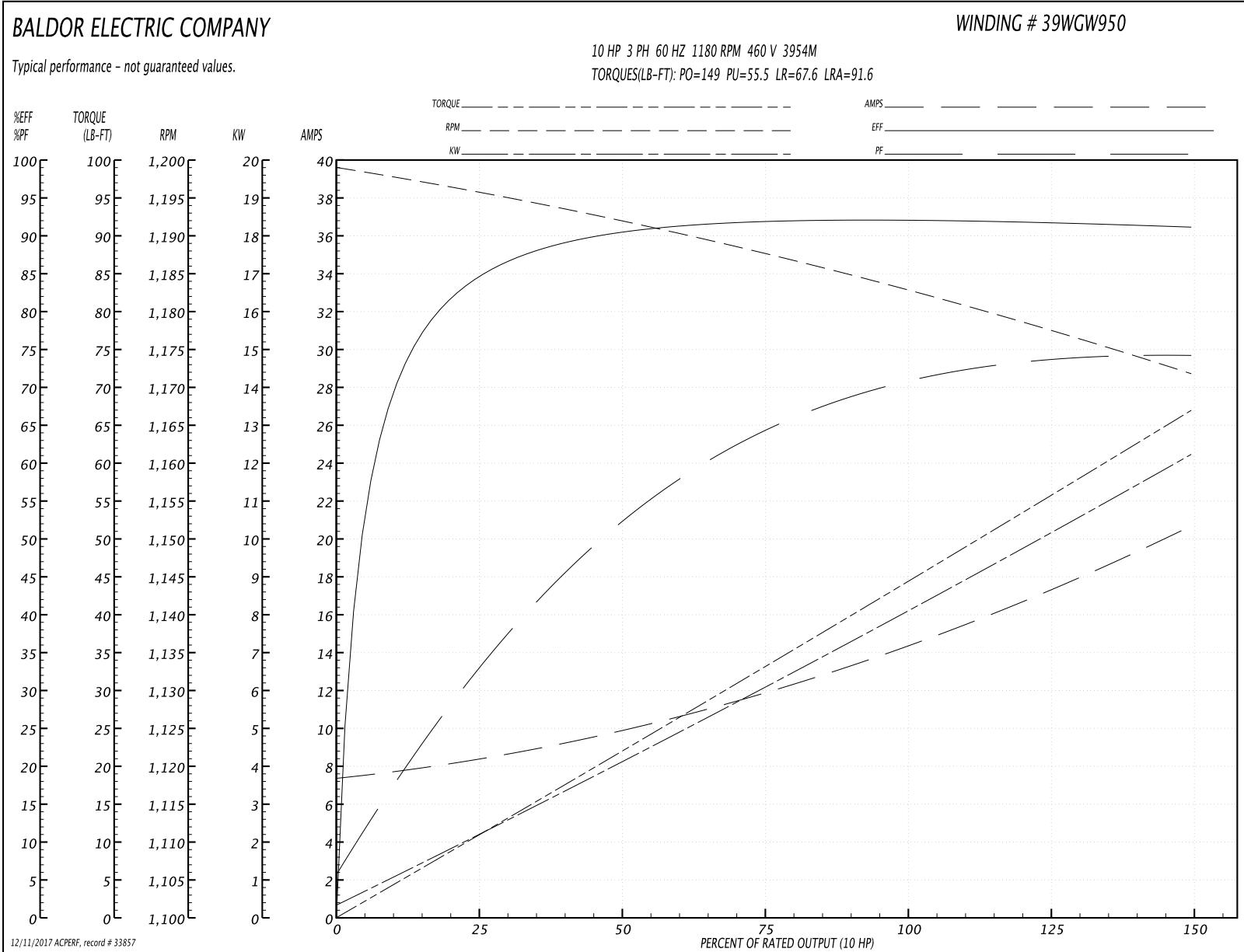
<b>Winding:</b> 39WGW950-R001	<b>Type:</b> 3954M	<b>Enclosure:</b> OPSB
-------------------------------	--------------------	------------------------

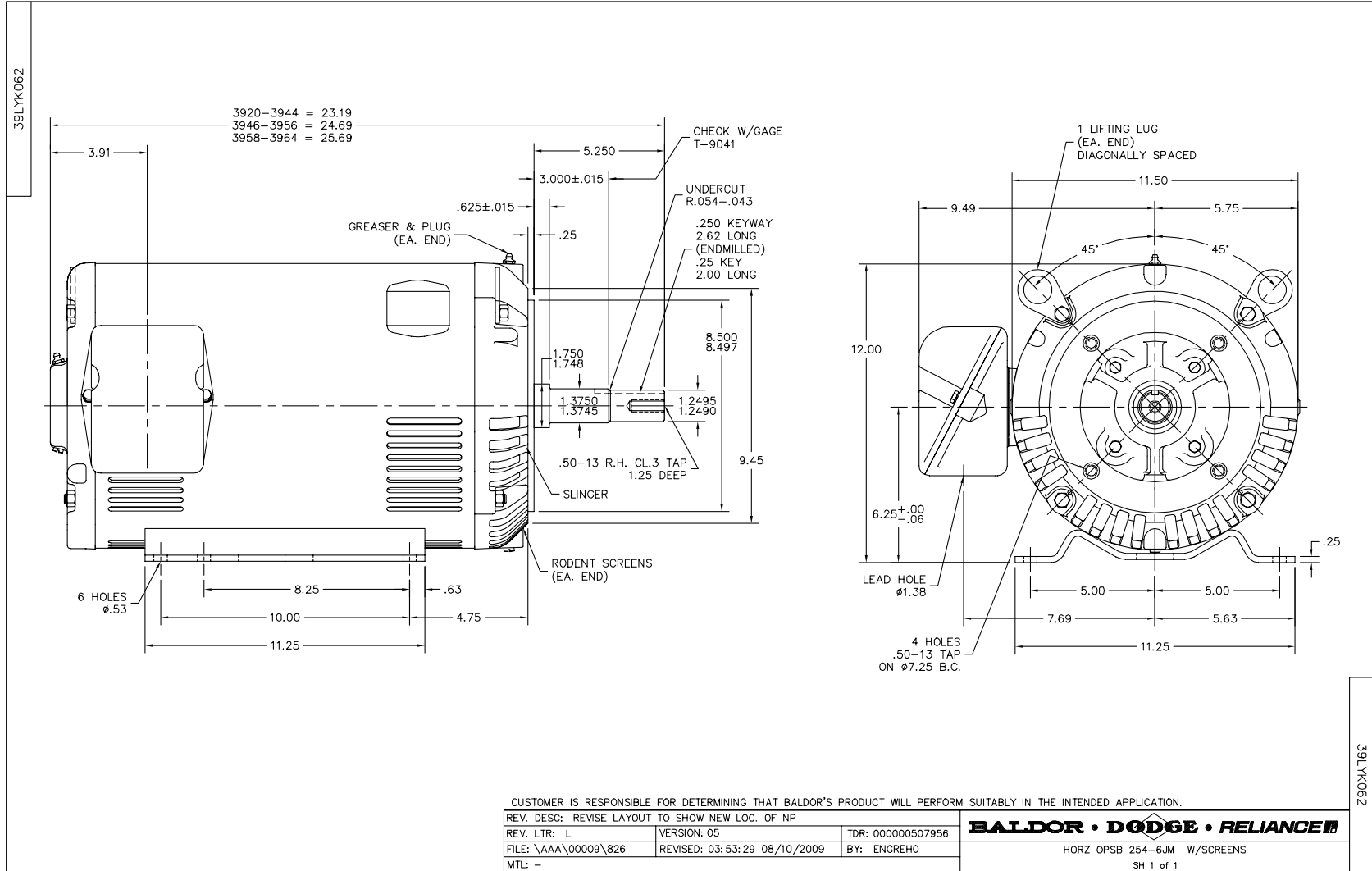
Nameplate Data				460 V, 60 Hz: High Voltage Connection	
Rated Output (HP)	10			Full Load Torque	44.1 LB-FT
Volts	230/460			Start Configuration	direct on line
Full Load Amps	28.6/14.3			Breakdown Torque	149 LB-FT
R.P.M.	1180			Pull-up Torque	55.5 LB-FT
Hz	60	Phase	3	Locked-rotor Torque	67.6 LB-FT
NEMA Design Code	A	KVA Code	J	Starting Current	91.6 A
Service Factor (S.F.)	1.15			No-load Current	7.51 A
NEMA Nom. Eff.	91.7	Power Factor	71	Line-line Res. @ 25°C	0.72568 Ω
Rating - Duty	40C AMB-CONT			Temp. Rise @ Rated Load	18°C
S.F. Amps				Temp. Rise @ S.F. Load	22°C
				Locked-rotor Power Factor	25.9
				Rotor inertia	4.34 LB-FT <sup>2</sup>

Load Characteristics 460 V, 60 Hz, 10 HP

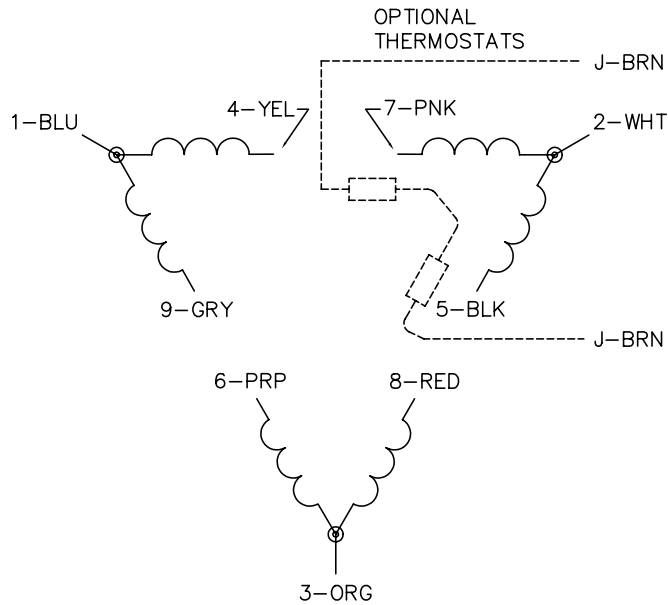
% of Rated Load	25	50	75	100	125	150	S.F.
Power Factor	34	53	64	70	73	74	72
Efficiency	84.5	90.2	91.8	92.1	91.8	91.1	91.9
Speed	1195.9	1191.9	1187.8	1182.8	1177.7	1171.6	1180
Line amperes	8.2	9.72	11.9	14.4	17.5	20.6	16.3

Performance Graph at 460V, 60Hz, 10.0HP Typical performance - Not guaranteed values

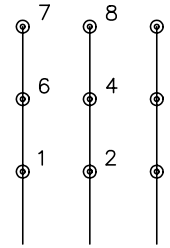




CD0180

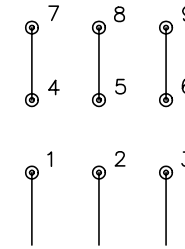


LOW VOLTAGE  
(2D)



LINE

HIGH VOLTAGE  
(1D)



LINE

NOTES:

1. INTERCHANGE ANY TWO LINE LEADS TO REVERSE ROTATION.
2. OPTIONAL THERMOSTATS ARE PROVIDED WHEN SPECIFIED.
3. ACTUAL NUMBER OF INTERNAL PARALLEL CIRCUITS MAY BE A MULTIPLE OF THOSE SHOWN ABOVE.
4. LEAD COLORS ARE OPTIONAL. LEADS MUST ALWAYS BE NUMBERED AS SHOWN.

REV. DESC: REVISE TO SHOW OPTIONAL COLORS

REV. LTR: C BY: JLP

REVISED: 01/21/99 2:28

TDR: 0171435

0810D0

FILE: AAA00005148

MDL: -

MTL: -

**BALDOR ELECTRIC Co.**

3PH, DV, 9 LEADS, DELTA CONNECTION

CD0180