

BALDOR • RELIANCE

Customer information packet

ECTM4100T-G-AO

15 AIR OVERHP, 1175RPM, 3PH, 60HZ, 284T, 1046

Class - None

Division - Not Applicable

Copyright © All product information within this document is subject to ABB Motors and Mechanical Inc. copyright © protection, unless otherwise noted.

1/21/2025 12:04:34 PM

Specifications

Enclosure	TEAO
Frame	284T
Frame Material	Iron
Frequency	60.00 Hz
Haz Area Class and Group	None
Haz Area Division	Not Applicable
Motor Letter Type	Three Phase
Output @ Frequency	15.000 HP @ 60 HZ
Phase	3
Synchronous Speed @ Frequency	1200 RPM @ 60 HZ
Voltage @ Frequency	230.0 V @ 60 HZ 460.0 V @ 60 HZ
Agency Approvals	CSA EEV NEMA PREMIUM NEMA_PREMIUM UR
Ambient Temperature	40 °C
Auxillary Box	No Auxillary Box
Auxillary Box Lead Termination	None
Base Indicator	Rigid
Bearing Grease Type	Polyrex EM (-20F +300F)
Blower	None
Current @ Voltage	42.000 A @ 230.0 V 42.000 A @ 208.0 V 21.000 A @ 460.0 V
Design Code	A
Drip Cover	No Drip Cover
Duty Rating	CONT
Efficiency @ 100% Load	91.7 %
Electrically Isolated Bearing	Not Electrically Isolated
Feedback Device	NO FEEDBACK
Front Shaft Indicator	None

Part detail

Revision	E
Type	AC
Mech. spec.	10T008
Base	
Status	PRD/A
Elec. spec.	10WGY561
Layout	10LYT008
Eff. date	09-08-2023
CD Diagram	CD0180
Poles	06
Leads	9#10
Proprietary	False
Created date	03-25-2022

Heater Indicator	Heater Included, 115 V
High Voltage Full Load Amps	21.0 a
Insulation Class	F
Inverter Code	Not Inverter
KVA Code	H
Lifting Lugs	Vertical Lifting Lugs
Locked Bearing Indicator	Locked Bearing
Motor Lead Quantity/Wire Size	9 @ 10 AWG
Motor Lead Termination	Flying Leads
Motor Standards	NEMA
Motor Type	1046M
Mounting Arrangement	F1
Number of Poles	6
Overall Length	25.71 IN
Power Factor	73
Product Family	Chemical Processing (Not DC)
Pulley End Bearing Type	Sealed Bearing
Pulley Face Code	Standard
Pulley Shaft Indicator	Tapped & Key
Rodent Screen	None
RoHS Status	ROHS COMPLIANT
Service Factor	1.15
Shaft Diameter	1.875 IN
Shaft Ground Indicator	Shaft Grounding
Shaft Rotation	Reversible
Shaft Slinger Indicator	Shaft Slinger
Speed	1175 rpm
Speed Code	Single Speed
Starting Method	Direct on line
Thermal Device - Bearing	None
Thermal Device - Winding	None
Vibration Sensor Indicator	No Vibration Sensor
Winding Thermal 1	None
Winding Thermal 2	None

Nameplate

NP2178									
CAT.NO.	ECTM4100T-G-AO								
SPEC.	10T008Y561G1								
HP	15 AIR OVER								
VOLTS	230/460								
AMP	42/21								
RPM	1175								
FRAME	284T		HZ	60		PH	3		
SER.F.	1.15	CODE	H	DES	A	CL	F		
NEMA-NOM-EFF	91.7	PF	73						
RATING	40C AMB-CONT								
CC									
DE	6311	ODE	6309						
ENCL	TEAO	SN							
	INV DUT 20:1 VT								

AC Induction Motor Performance Data

Record # 66702

Typical performance - not guaranteed values

Winding: 10WGY561-R023		Type: 1046M	Enclosure: TEAO	
Nameplate Data			460 V, 60 Hz: High Voltage Connection	
Rated Output (HP)	15 AIR OVER	Full Load Torque	66.68 LB-FT	
Volts	230/460	Start Configuration	direct on line	
Full Load Amps	42/21	Breakdown Torque	213 LB-FT	
R.P.M.	1175	Pull-up Torque	93.1 LB-FT	
Hz	60 Phase	3	Locked-rotor Torque	114 LB-FT
NEMA Design Code	A KVA Code	H	Starting Current	144 A
Service Factor (S.F.)		1.15	No-load Current	12.4 A
NEMA Nom. Eff.	91.7 Power Factor	73	Line-line Res. @ 25°C	0.502 Ω
Rating - Duty	40C AMB-CONT		Temp. Rise @ Rated Load	43°C
S.F. Amps			Temp. Rise @ S.F. Load	51°C
			Locked-rotor Power Factor	32.9
			Rotor inertia	5.63 lb-ft ²

Load Characteristics 460 V, 60 Hz, 15 HP

% of Rated Load	25	50	75	100	125	150	S.F.
Power Factor	32	52	65	72	76	78	75
Efficiency	83	89.4	91.3	91.7	91.4	90.8	91.7
Speed	1196	1193	1189	1185	1181	1177	1181
Line amperes	13.2	15.1	17.9	21.3	25.3	29.6	23.4

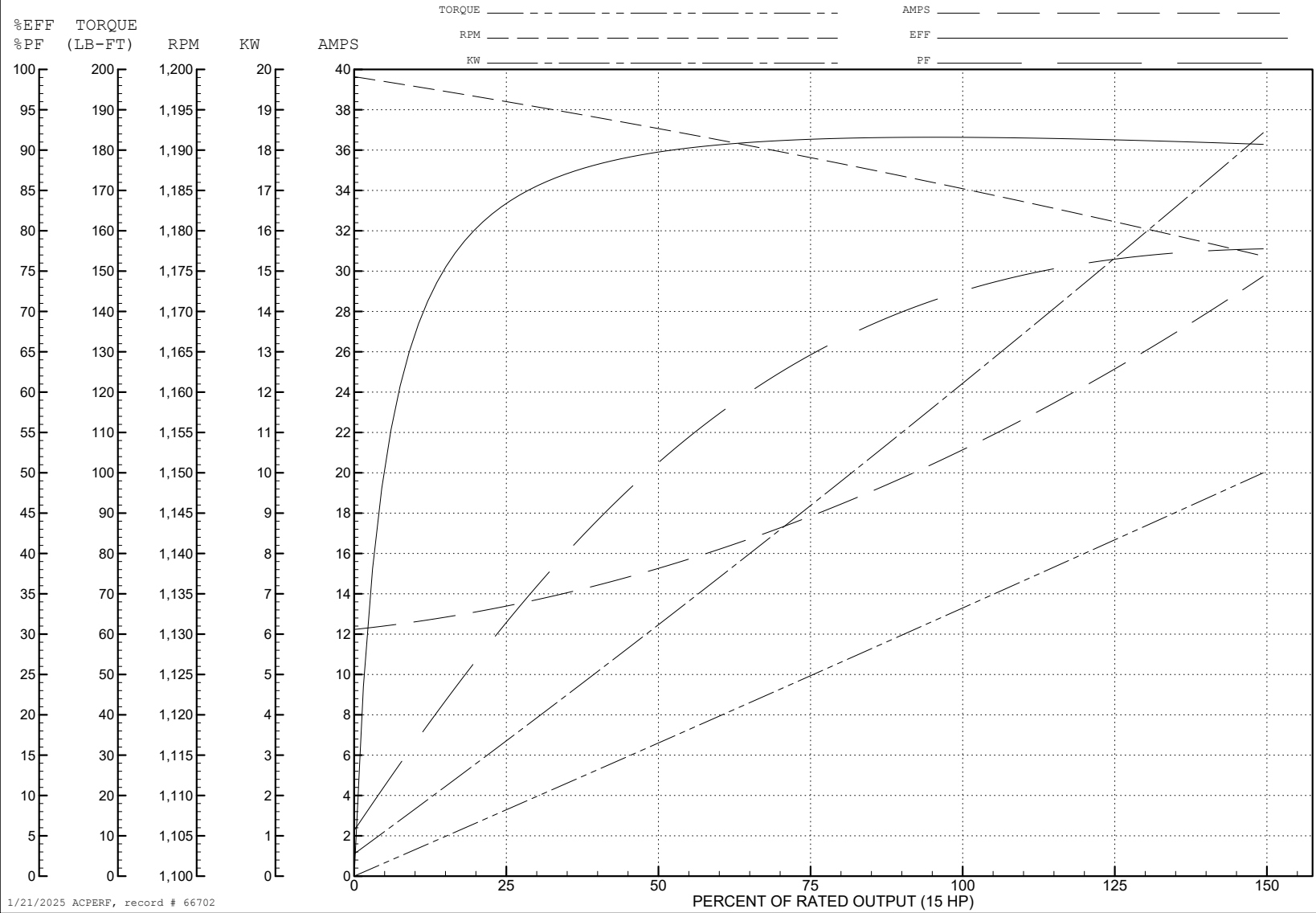
ABB Motors and Mechanical Inc.

WINDING # 10WGY561

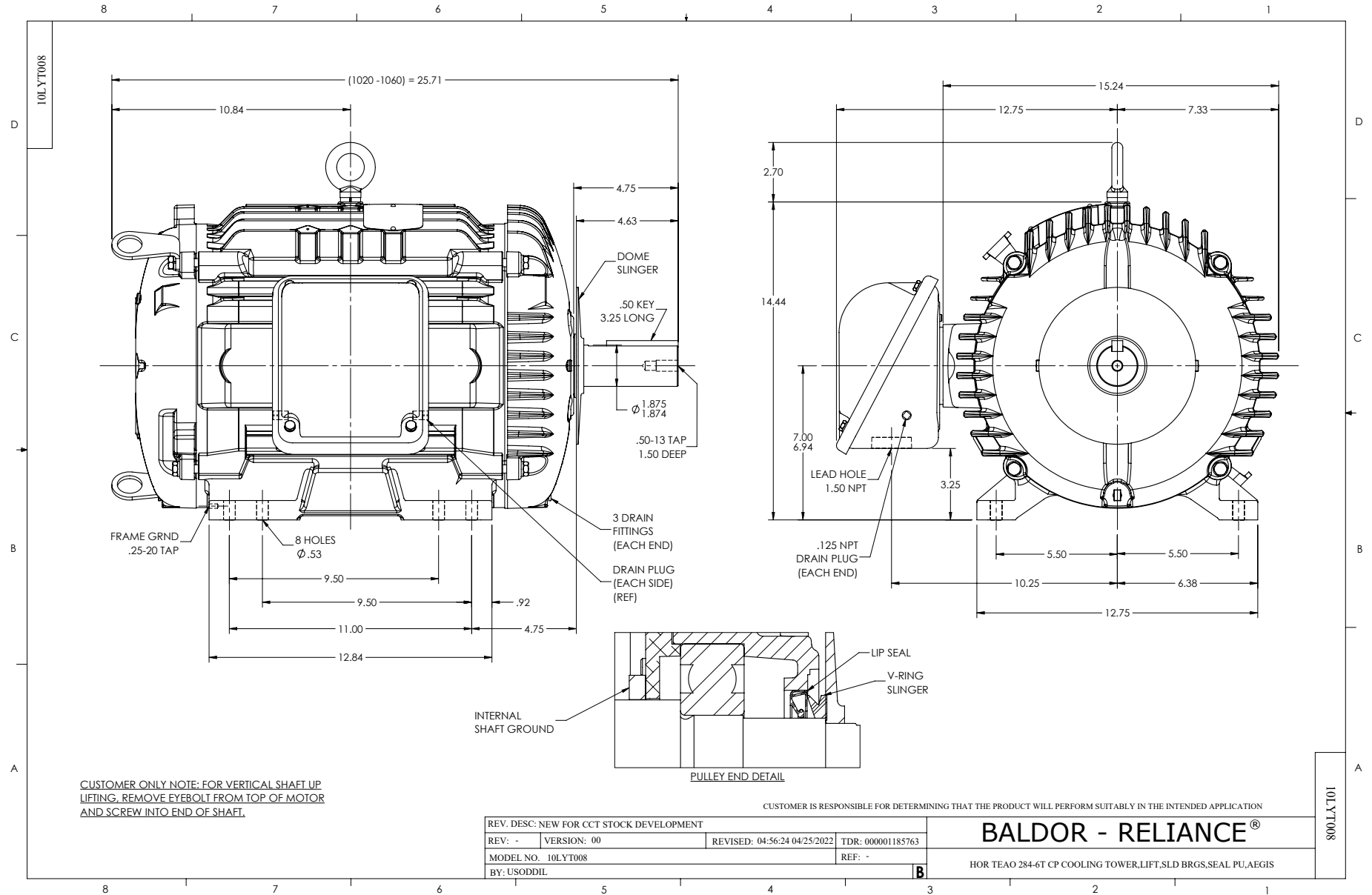
Typical performance - not guaranteed values.

15 HP 3 PH 60 HZ 1175 RPM 460 V 1046M

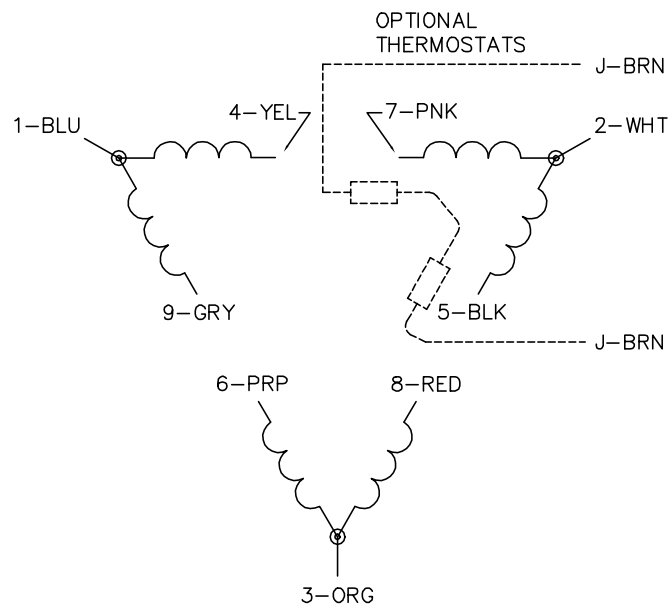
TORQUES (LB-FT): PO=213 PU=93.1 LR=114 LRA=144



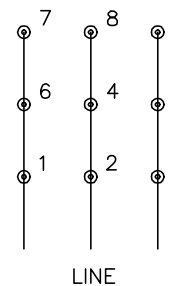
1/21/2025 ACPERF, record # 66702



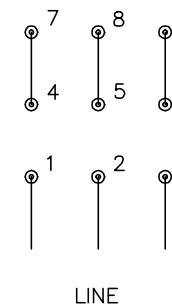
CD0180



LOW VOLTAGE
(2D)



HIGH VOLTAGE
(1D)



NOTES:

1. INTERCHANGE ANY TWO LINE LEADS TO REVERSE ROTATION.
2. OPTIONAL THERMOSTATS ARE PROVIDED WHEN SPECIFIED.
3. ACTUAL NUMBER OF INTERNAL PARALLEL CIRCUITS MAY BE A MULTIPLE OF THOSE SHOWN ABOVE.
4. LEAD COLORS ARE OPTIONAL. LEADS MUST ALWAYS BE NUMBERED AS SHOWN.

CD0180

REV. DESC: ADD CLASS CONN00000007		
REV. LTR: D	VERSION: 01	TDR: 000001099922
FILE: \AAA\00005\148	REVISED: 10: 25: 29 02/19/2019	BY: ENBRIRO
MTL: -	© □	

BALDOR - RELIANCE®

3PH, DV, 9 LEADS, DELTA CONNECTION

SH 1 of 1