

**BALDOR® • RELIANCE™**

---

# Customer information packet

## DRX25224T

20HP, 3530//2930RPM, 3PH, 60HZ, 256T, XPFC, F1

Class - CLI GP C,D

Division - Division I

## Specifications

Enclosure	XPFC
Frame	256T
Frame Material	Iron
Frequency	50.00 Hz 60.00 Hz
Haz Area Class and Group	CLI GP C,D
Haz Area Division	Division I
Motor Letter Type	Three Phase
Output @ Frequency	20.000 HP @ 60 HZ 15.000 HP @ 50 HZ
Phase	3
Synchronous Speed @ Frequency	3600 RPM @ 60 HZ
Voltage @ Frequency	460.0 V @ 60 HZ 190.0 V @ 50 HZ 230.0 V @ 60 HZ 380.0 V @ 50 HZ
Agency Approvals	UL CSA EEV
Ambient Temperature	40 °C
Auxillary Box	No Auxillary Box
Auxillary Box Lead Termination	None
Base Indicator	Rigid
Bearing Grease Type	Polyrex EM (-20F +300F)
Blower	None
Constant Torque Speed Range	6
Current @ Voltage	20.000 A @ 380.0 V 22.000 A @ 460.0 V 40.000 A @ 190.0 V 44.000 A @ 230.0 V
Design Code	A
Drip Cover	No Drip Cover
Duty Rating	CONT

## Part detail

Revision	F
Type	AC
Mech. spec.	
Base	
Status	PRD/A
Elec. spec.	09WGZ651
Layout	09LYJ480
Eff. date	02-14-2024
CD Diagram	CD0180
Poles	02
Leads	9#10
Proprietary	False
Created date	03-08-2019

Efficiency @ 100% Load	91.0 %
Electrically Isolated Bearing	Not Electrically Isolated
Feedback Device	NO FEEDBACK
Haz Area Temp Code	T3C
Heater Indicator	No Heater
High Voltage Full Load Amps	20.0 a
Insulation Class	F
Inverter Code	Inverter Duty
IP Rating	NONE
KVA Code	H
Lifting Lugs	Standard Lifting Lugs
Locked Bearing Indicator	Locked Bearing
Max Speed	5400 rpm
Motor Lead Termination	Flying Leads
Motor Standards	NEMA
Motor Type	0950M
Mounting Arrangement	F1
Number of Poles	2
Overall Length	25.50 IN
Power Factor	91
Product Family	Chemical Process Features
Pulley Face Code	Standard
Rodent Screen	None
RoHS Status	ROHS NON-COMPLIANT
Service Factor	1.00
Shaft Diameter	1.625 IN
Shaft Ground Indicator	No Shaft Grounding
Shaft Rotation	Reversible
Speed	3530 rpm
Speed Code	Single Speed
Starting Method	Direct on line
Thermal Device - Bearing	None
Thermal Device - Winding	Normally Closed Thermostat
Vibration Sensor Indicator	No Vibration Sensor

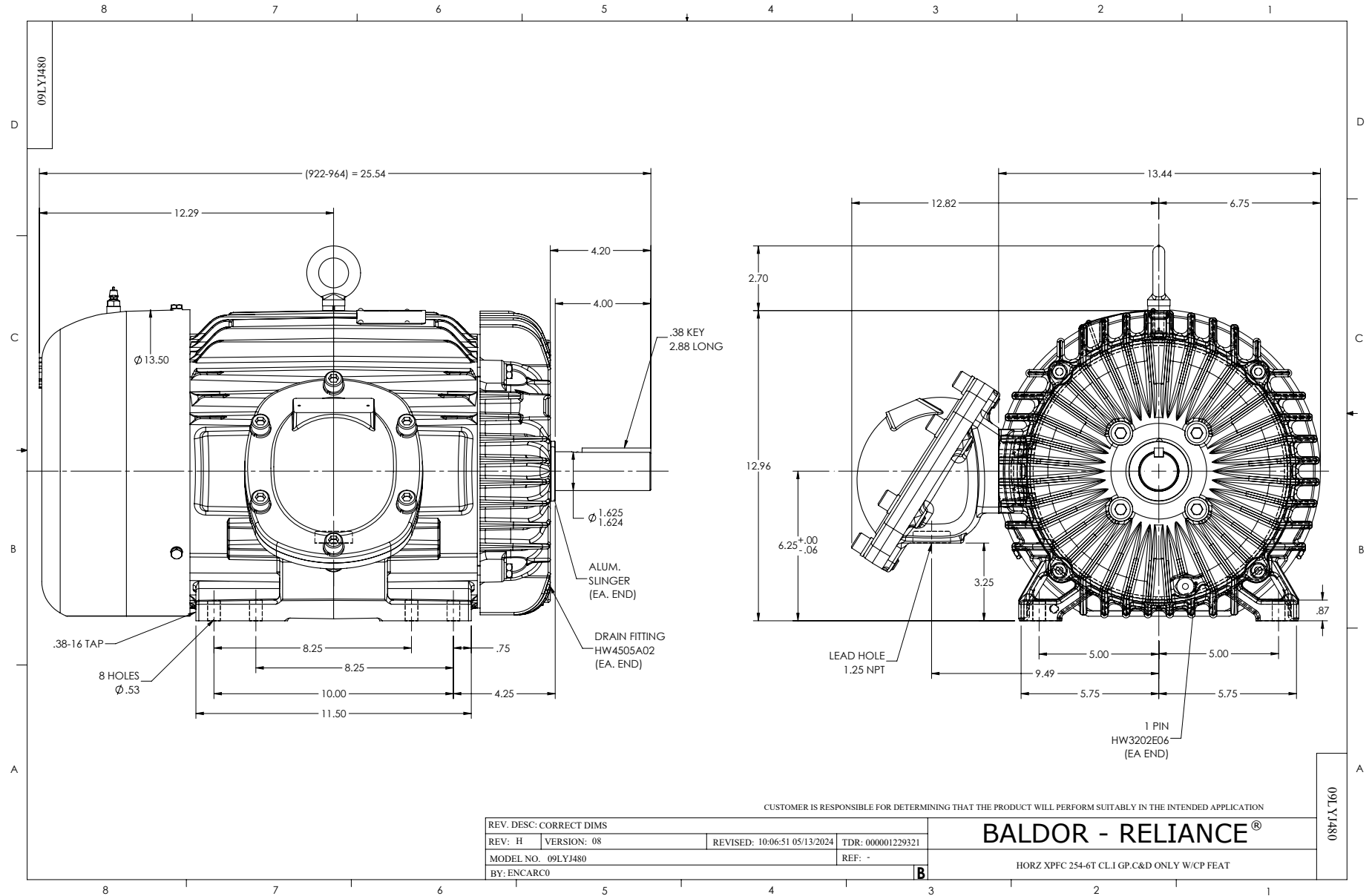
Winding Thermal 1	None
Winding Thermal 2	None

---

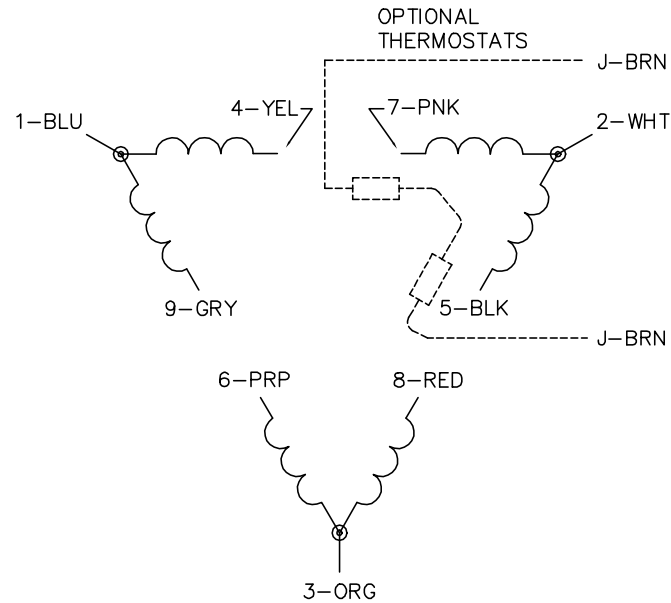
**Nameplate**

**NP1401XPSLEV**

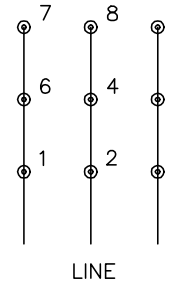
<b>NO.</b>		<b>CC</b>	010A				
<b>S/N</b>		<b>TEMP CODE</b>	T3C				
<b>SPEC.</b>	09-0000-1188	<b>INV.TYPE</b>	PWM				
<b>CAT.NO.</b>	DRX25224T	<b>C HP FR</b>	60	<b>C HP TO</b>	90		
<b>HP</b>	20//15	<b>CT HZ FROM</b>	6	<b>CT HZ TO</b>	60		
<b>VOLTS</b>	230/460//190/380	<b>VT HZ FROM</b>	6	<b>VT HZ TO</b>	60		
<b>AMPS</b>	44/22//40/20	<b>MAG CUR</b>	5.8				
<b>RPM</b>	3530//2930	<b>MX RPM</b>	5400				
<b>HZ</b>	60//50	<b>PH</b>	3	<b>CL</b>	F	<b>NOM.EFF.</b>	91
<b>SER.F.</b>	1.00	<b>DES</b>	A	<b>SL HZ</b>	1.2	<b>WK2</b>	1.28
<b>FRAME</b>	256T	<b>RATING</b>	40C AMB-CONT				
	55C AMB AT 1.0 SF, 60C RISE						
	1.15SF ON SINEWAVE		NEMA MG-1 PT.5,IP55				



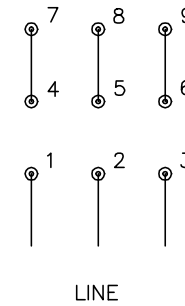
CD0180



LOW VOLTAGE  
(2D)



HIGH VOLTAGE  
(1D)



**NOTES:**

1. INTERCHANGE ANY TWO LINE LEADS TO REVERSE ROTATION.
2. OPTIONAL THERMOSTATS ARE PROVIDED WHEN SPECIFIED.
3. ACTUAL NUMBER OF INTERNAL PARALLEL CIRCUITS MAY BE A MULTIPLE OF THOSE SHOWN ABOVE.
4. LEAD COLORS ARE OPTIONAL. LEADS MUST ALWAYS BE NUMBERED AS SHOWN.

CD0180

REV. DESC: ADD CLASS CONN00000007		
REV. LTR: D	VERSION: 01	TDR: 000001099922
FILE: \AAA\00005\148	REVISED: 10: 25: 29 02/19/2019	BY: ENBRIRO
MTL: -	© □	

**BALDOR - RELIANCE®**

3PH, DV, 9 LEADS, DELTA CONNECTION

SH 1 of 1