



---

# Customer information packet

## DRX21144T-5

10HP, 1765RPM, 3PH, 60HZ, 215T, XPFC, F1  
Class - CLI GP C,D  
Division - Division I

## Specifications

Enclosure	XPFC
Frame	215T
Frame Material	Iron
Frequency	60.00 Hz
Haz Area Class and Group	CLI GP C,D
Haz Area Division	Division I
Motor Letter Type	Three Phase
Output @ Frequency	10.000 HP @ 60 HZ
Phase	3
Synchronous Speed @ Frequency	1800 RPM @ 60 HZ
Voltage @ Frequency	575.0 V @ 60 HZ
Agency Approvals	CSA EEV UL
Ambient Temperature	40 °C
Auxillary Box	No Auxillary Box
Auxillary Box Lead Termination	None
Base Indicator	Rigid
Bearing Grease Type	Polyrex EM (-20F +300F)
Blower	None
Constant Torque Speed Range	6
Current @ Voltage	10.100 A @ 575.0 V
Design Code	A
Drip Cover	No Drip Cover
Duty Rating	CONT
Efficiency @ 100% Load	92.4 %
Electrically Isolated Bearing	Not Electrically Isolated
Feedback Device	NO FEEDBACK
Haz Area Temp Code	T3C
Heater Indicator	No Heater
High Voltage Full Load Amps	10.1 a
Insulation Class	F
Inverter Code	Inverter Duty

## Part detail

Revision	C
Type	AC
Mech. spec.	
Base	
Status	PRD/A
Elec. spec.	07WGY787
Layout	07LYJ231
Eff. date	02-14-2024
CD Diagram	CD0006
Poles	04
Leads	3#14
Proprietary	False
Created date	07-18-2019

<b>IP Rating</b>	NONE
<b>KVA Code</b>	J
<b>Lifting Lugs</b>	Standard Lifting Lugs
<b>Locked Bearing Indicator</b>	Locked Bearing
<b>Max Speed</b>	2700 rpm
<b>Motor Lead Termination</b>	Flying Leads
<b>Motor Standards</b>	NEMA
<b>Motor Type</b>	0750M
<b>Mounting Arrangement</b>	F1
<b>Number of Poles</b>	4
<b>Overall Length</b>	20.03 IN
<b>Power Factor</b>	80
<b>Product Family</b>	General Purpose
<b>Pulley Face Code</b>	Standard
<b>Rodent Screen</b>	None
<b>RoHS Status</b>	ROHS NON-COMPLIANT
<b>Service Factor</b>	1.00
<b>Shaft Diameter</b>	1.375 IN
<b>Shaft Ground Indicator</b>	No Shaft Grounding
<b>Shaft Rotation</b>	Reversible
<b>Speed</b>	1765 rpm
<b>Speed Code</b>	Single Speed
<b>Starting Method</b>	Direct on line
<b>Thermal Device - Bearing</b>	None
<b>Thermal Device - Winding</b>	Normally Closed Thermostat
<b>Vibration Sensor Indicator</b>	No Vibration Sensor
<b>Winding Thermal 1</b>	None
<b>Winding Thermal 2</b>	None

**Nameplate**

<b>NP1401XPSLEV</b>										
<b>NO.</b>		<b>CC</b>	010A							
<b>S/N</b>		<b>TEMP CODE</b>	T3C							
<b>SPEC.</b>	07-0000-0196		<b>INV.TYPE</b>	PWM						
<b>CAT.NO.</b>	DRX21144T-5		<b>C HP FR</b>	60	<b>C HP TO</b>	90				
<b>HP</b>	10		<b>CT HZ FROM</b>	6	<b>CT HZ TO</b>	60				
<b>VOLTS</b>	575		<b>VT HZ FROM</b>	6	<b>VT HZ TO</b>	60				
<b>AMPS</b>	10.1		<b>MAG CUR</b>	4.6						
<b>RPM</b>	1765		<b>MX RPM</b>	2700						
<b>HZ</b>	60	<b>PH</b>	3	<b>CL</b>	F	<b>NOM.EFF.</b>	92.4			
<b>SER.F.</b>	1.00	<b>DES</b>	A	<b>SL HZ</b>	1.2	<b>WK2</b>	1.18			
<b>FRAME</b>	215T	<b>RATING</b>	40C AMB-CONT							
	55C AMB @ 1.0 SF									
	1.15 SF SINEWAVE				<b>NEMA MG-1 PT 5,IP55</b>					

**AC Induction Motor Performance Data**

Record # 77543

Typical performance - not guaranteed values

Winding: 07WGY787-R006		Type: 0750M		Enclosure: XPFC	
<b>Nameplate Data</b>			<b>575 V, 60 Hz: Single Voltage Motor</b>		
Rated Output (HP)	10	Full Load Torque	29.7 LB-FT		
Volts	575	Start Configuration	direct on line		
Full Load Amps	10.1	Breakdown Torque	95.8 LB-FT		
R.P.M.	1765	Pull-up Torque	57.3 LB-FT		
Hz	60 Phase	3	Locked-rotor Torque	63.5 LB-FT	
NEMA Design Code	A KVA Code	J	Starting Current	78 A	
Service Factor (S.F.)	1	No-load Current	4.63 A		
NEMA Nom. Eff.	92.4 Power Factor	80	Line-line Res. @ 25°C	1.35 Ω	
Rating - Duty	40C AMB-CONT		Temp. Rise @ Rated Load	59°C	
			Locked-rotor Power Factor	35.4	
			Rotor inertia	1.23 LB-FT <sup>2</sup>	

**Load Characteristics 575 V, 60 Hz, 10 HP**

% of Rated Load	25	50	75	100	125	150
Power Factor	40	62	75	80	83	85
Efficiency	90.5	93.6	92.8	92.3	91.5	90.4
Speed	1790	1782	1772	1764	1754	1744
Line amperes	5.16	6.41	8.1	10.1	12.3	14.7

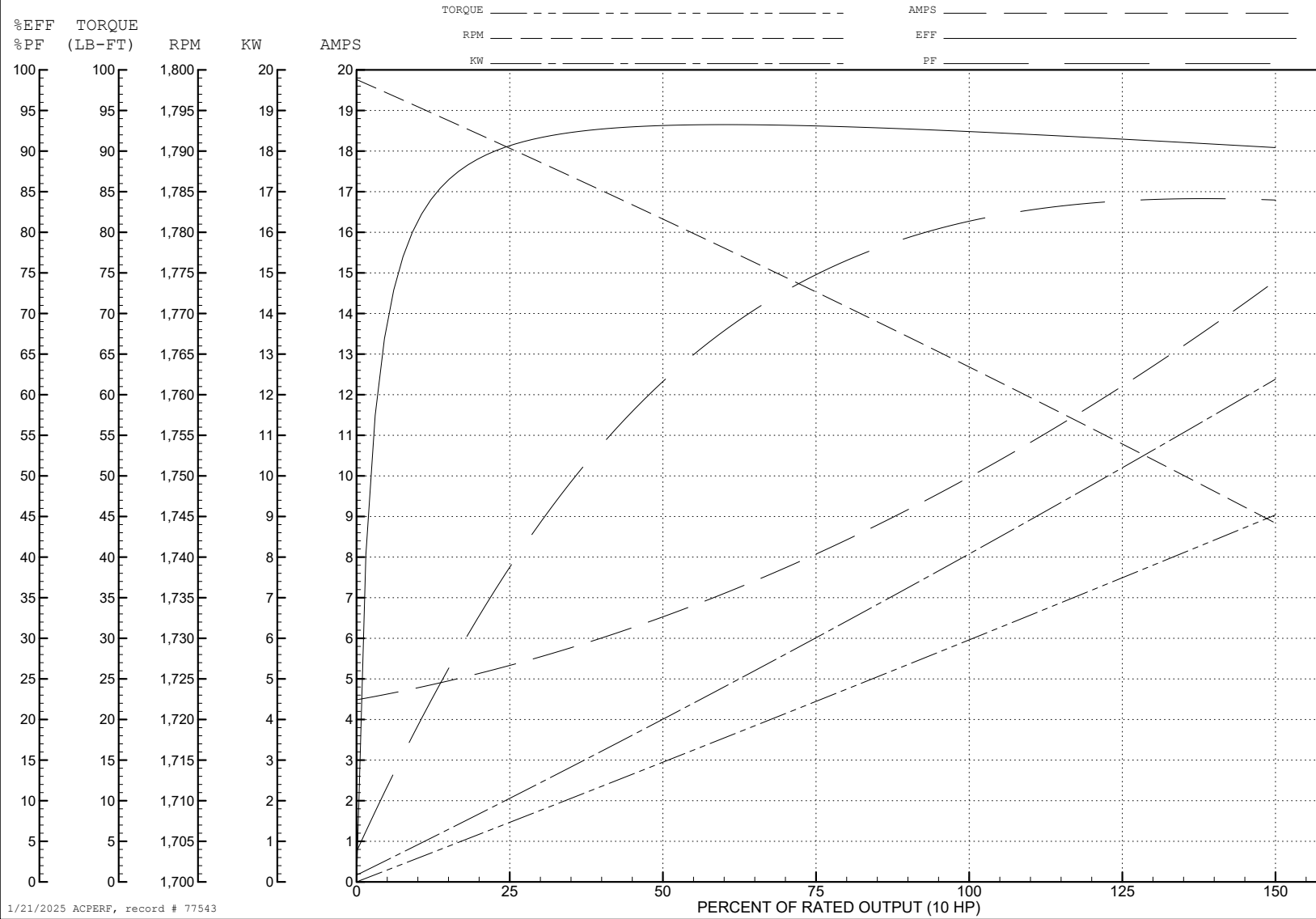
ABB Motors and Mechanical Inc.

WINDING # 07WGY787

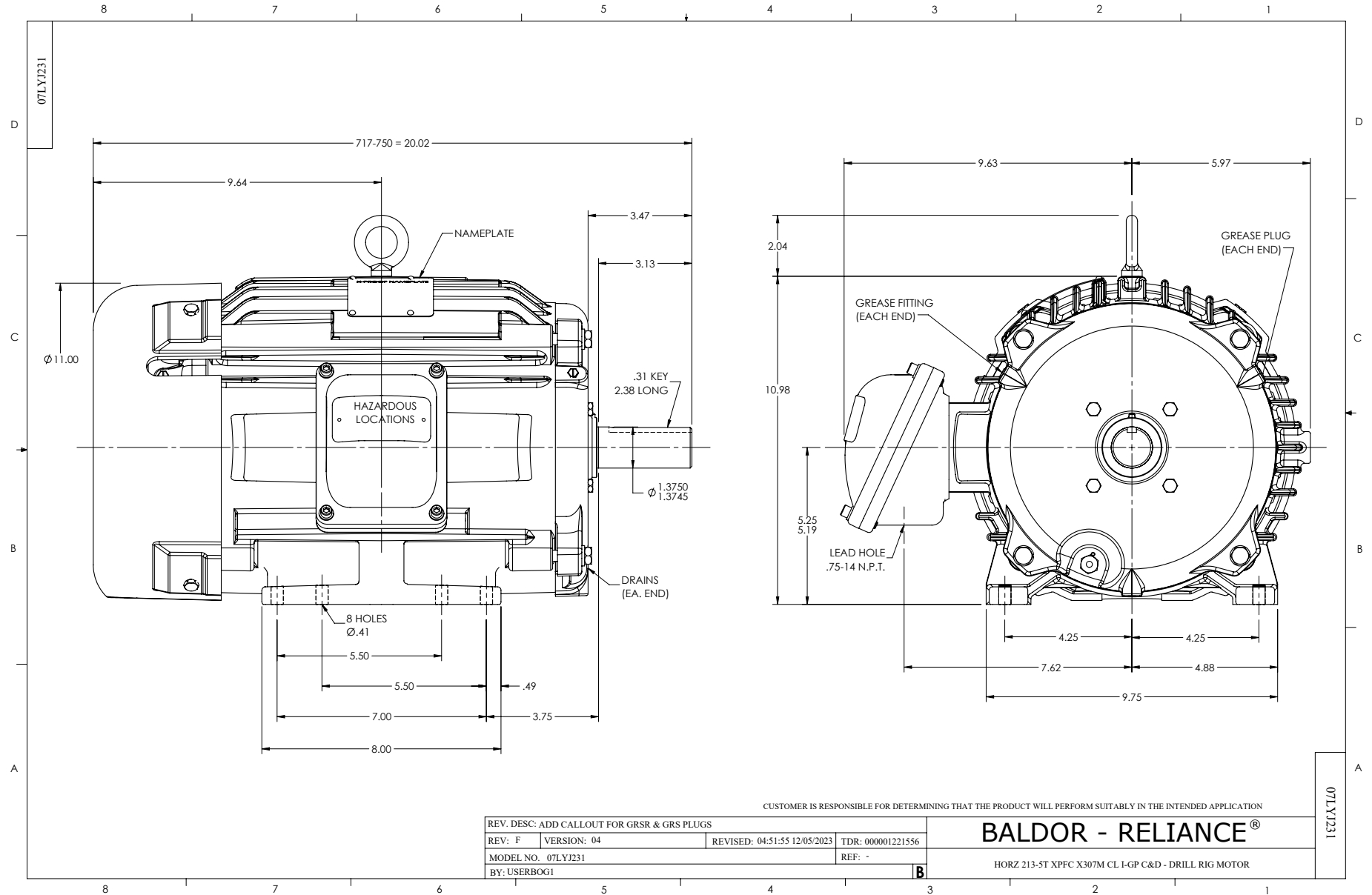
Typical performance - not guaranteed values.

10 HP 3 PH 60 HZ 1765 RPM 575 V 0750M

TORQUES (LB-FT): PO=95.8 PU=57.3 LR=63.5 LRA=78



1/21/2025 ACPERF, record # 77543



CD0006



NOTES:

1. THREE LEAD MOTOR MAY BE EITHER WYE CONNECTED OR DELTA CONNECTED.
2. INTERCHANGE ANY TWO LINE LEADS TO REVERSE ROTATION.
3. OPTIONAL THERMOSTATS ARE PROVIDED WHEN SPECIFIED.
4. ACTUAL NUMBER OF INTERNAL PARALLEL CIRCUITS MAY VARY.
5. LEAD COLORS ARE OPTIONAL. LEADS MUST BE NUMBERED AS SHOWN.

CD0006

REV. DESC: ADD CLASS CONN00000007		
REV. LTR: E	VERSION: 01	TDR: 000001099922
FILE: \AAA\00005\141	REVISED: 10:24:49 02/19/2019	BY: ENBRIRO
MTL: -		© □

**BALDOR - RELIANCE®**

3PH, SV, 3 LEADS, WYE OR DELTA CONNECTED

SH 1 of 1