

BALDOR • RELIANCE

Customer information packet

CSSWDM3539-H

.5HP, 1175RPM, 3PH, 60HZ, 56HC, 3522M, TENV, F1

Class - None

Division - Not Applicable

Specifications

| | |
|--------------------------------|---|
| Enclosure | TENV |
| Frame | 56HC |
| Frame Material | Stainless Steel |
| Frequency | 60.00 Hz |
| Haz Area Class and Group | None |
| Haz Area Division | Not Applicable |
| Motor Letter Type | Three Phase |
| Output @ Frequency | .500 HP @ 60 HZ |
| Phase | 3 |
| Synchronous Speed @ Frequency | 1200 RPM @ 60 HZ |
| Voltage @ Frequency | 230.0 V @ 60 HZ 460.0 V @ 60 HZ 208.0 V @ 60 HZ |
| Agency Approvals | CSA EEV NEMA PREMIUM NEMA_PREMIUM UR |
| Ambient Temperature | 40 °C |
| Auxillary Box | No Auxillary Box |
| Auxillary Box Lead Termination | None |
| Base Indicator | Rigid |
| Bearing Grease Type | Polyrex EM (-20F +300F) |
| Blower | None |
| Current @ Voltage | 2.000 A @ 208.0 V 1.000 A @ 230.0 V |
| Design Code | B |
| Drip Cover | No Drip Cover |
| Duty Rating | CONT |
| Efficiency @ 100% Load | 78.5 % |
| Electrically Isolated Bearing | Not Electrically Isolated |
| Feedback Device | NO FEEDBACK |
| Front Shaft Indicator | None |

Part detail

| | |
|--------------|------------|
| Revision | A |
| Type | AC |
| Mech. spec. | 35E6083 |
| Base | |
| Status | PRD/A |
| Elec. spec. | 35WGG338 |
| Layout | 35LYE6083 |
| Eff. date | 06-14-2024 |
| CD Diagram | CD0005 |
| Poles | 06 |
| Leads | 9#18 |
| Proprietary | False |
| Created date | 02-21-2023 |

| | |
|-------------------------------|-------------------------------|
| Heater Indicator | No Heater |
| High Voltage Full Load Amps | 1.0 a |
| Insulation Class | F |
| Inverter Code | Inverter Ready |
| KVA Code | M |
| Lifting Lugs | No Lifting Lugs |
| Locked Bearing Indicator | Locked Bearing |
| Motor Lead Quantity/Wire Size | 9 @ 18 AWG |
| Motor Lead Termination | Flying Leads |
| Motor Standards | NEMA |
| Motor Type | 3522M |
| Mounting Arrangement | F1 |
| Number of Poles | 6 |
| Overall Length | 11.97 IN |
| Power Factor | 57 |
| Product Family | Wash Down All Stainless Steel |
| Pulley End Bearing Type | Sealed Bearing |
| Pulley Face Code | C-Face |
| Pulley Shaft Indicator | Standard |
| Rodent Screen | None |
| Service Factor | 1.15 |
| Shaft Diameter | 0.625 IN |
| Shaft Ground Indicator | No Shaft Grounding |
| Shaft Rotation | Reversible |
| Shaft Slinger Indicator | No Slinger |
| Speed | 1175 rpm |
| Speed Code | Single Speed |
| Starting Method | Direct on line |
| Thermal Device - Bearing | None |
| Thermal Device - Winding | None |
| Vibration Sensor Indicator | No Vibration Sensor |
| Winding Thermal 1 | None |
| Winding Thermal 2 | None |

Nameplate

| NP1953A01 | | | | | | | | | |
|---------------------|---------------|-------------|-----------|------------|---|--------------|---|--|--|
| CAT.NO. | CSSWDM3539-H | | | | | | | | |
| SPEC. | 35E6083G338G1 | | | | | | | | |
| HP | .5 | | | | | | | | |
| VOLTS | 208-230/460 | | | | | | | | |
| AMP | 2/1 | | | | | | | | |
| RPM | 1175 | | | | | | | | |
| FRAME | 56HC | | HZ | 60 | | PH | 3 | | |
| SER.F. | 1.15 | CODE | M | DES | B | CLASS | F | | |
| NEMA-NOM-EFF | 78.5 | PF | 57 | | | | | | |
| RATING | 40C AMB-CONT | | | | | | | | |
| CC | | | | | | | | | |
| DE | 6205 | ODE | 6203 | | | | | | |
| ENCL | TENV | SN | | | | | | | |
| | SFA 2.2/1.1 | | | | | | | | |

AC Induction Motor Performance Data

Record # 93061

Typical performance - not guaranteed values

| Winding: 35WGG338-R006 | | Type: 3522M | | Enclosure: TENV | |
|-------------------------------|--------------------------|----------------------------------|--|------------------------|--|
| Nameplate Data | | | 460 V, 60 Hz: High Voltage Connection | | |
| Rated Output (HP) | .5 | Full Load Torque | 2.23 LB-FT | | |
| Volts | 208-230/460 | Start Configuration | direct on line | | |
| Full Load Amps | 2/1 | Breakdown Torque | 8.8 LB-FT | | |
| R.P.M. | 1175 | Pull-up Torque | 4.8 LB-FT | | |
| Hz | 60 Phase | 3 | Locked-rotor Torque | 5.2 LB-FT | |
| NEMA Design Code | B KVA Code | M | Starting Current | 6.6 A | |
| Service Factor (S.F.) | 1.15 | No-load Current | 0.789 A | | |
| NEMA Nom. Eff. | 78.5 Power Factor | 57 | Line-line Res. @ 25°C | 30 Ω | |
| Rating - Duty | 40C AMB-CONT | Temp. Rise @ Rated Load | 70°C | | |
| S.F. Amps | 2.2/1.1 | Temp. Rise @ S.F. Load | 79°C | | |
| | | Locked-rotor Power Factor | 50.7 | | |
| | | Rotor inertia | 0.16 lb-ft ² | | |

Load Characteristics 460 V, 60 Hz, 0.5 HP

| % of Rated Load | 25 | 50 | 75 | 100 | 125 | 150 | S.F. |
|------------------------|-----------|-----------|-----------|------------|------------|------------|-------------|
| Power Factor | 23 | 36 | 48 | 56 | 63 | 68 | 60 |
| Efficiency | 63.7 | 75.6 | 79.4 | 81.4 | 81.5 | 80.6 | 81.5 |
| Speed | 1194 | 1190 | 1185 | 1180 | 1174 | 1167 | 1176 |
| Line amperes | 0.802 | 0.855 | 0.929 | 1.02 | 1.14 | 1.29 | 1.09 |

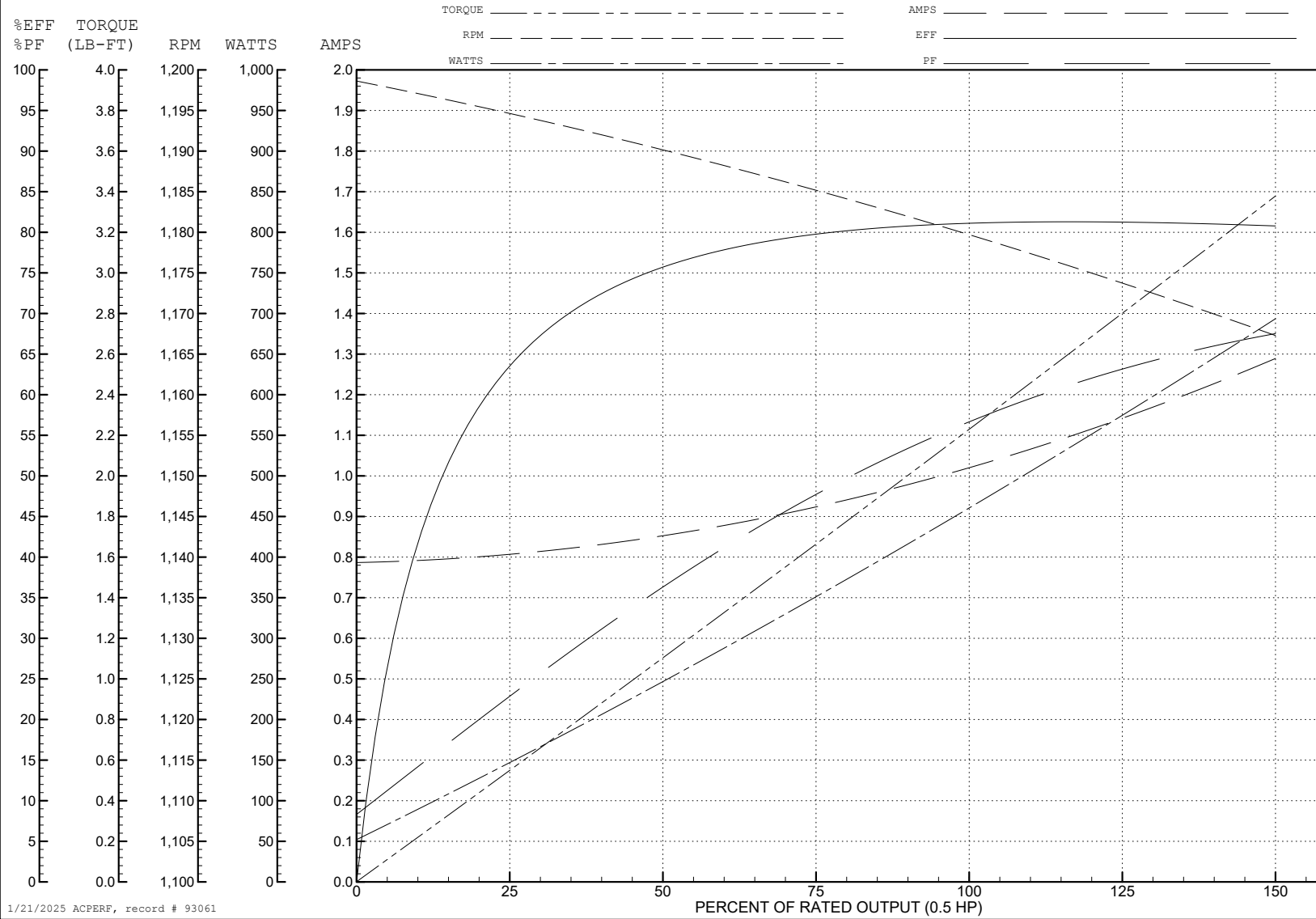
ABB Motors and Mechanical Inc.

WINDING # 35WGG338

0.5 HP 3 PH 60 HZ 1175 RPM 460 V 3522M

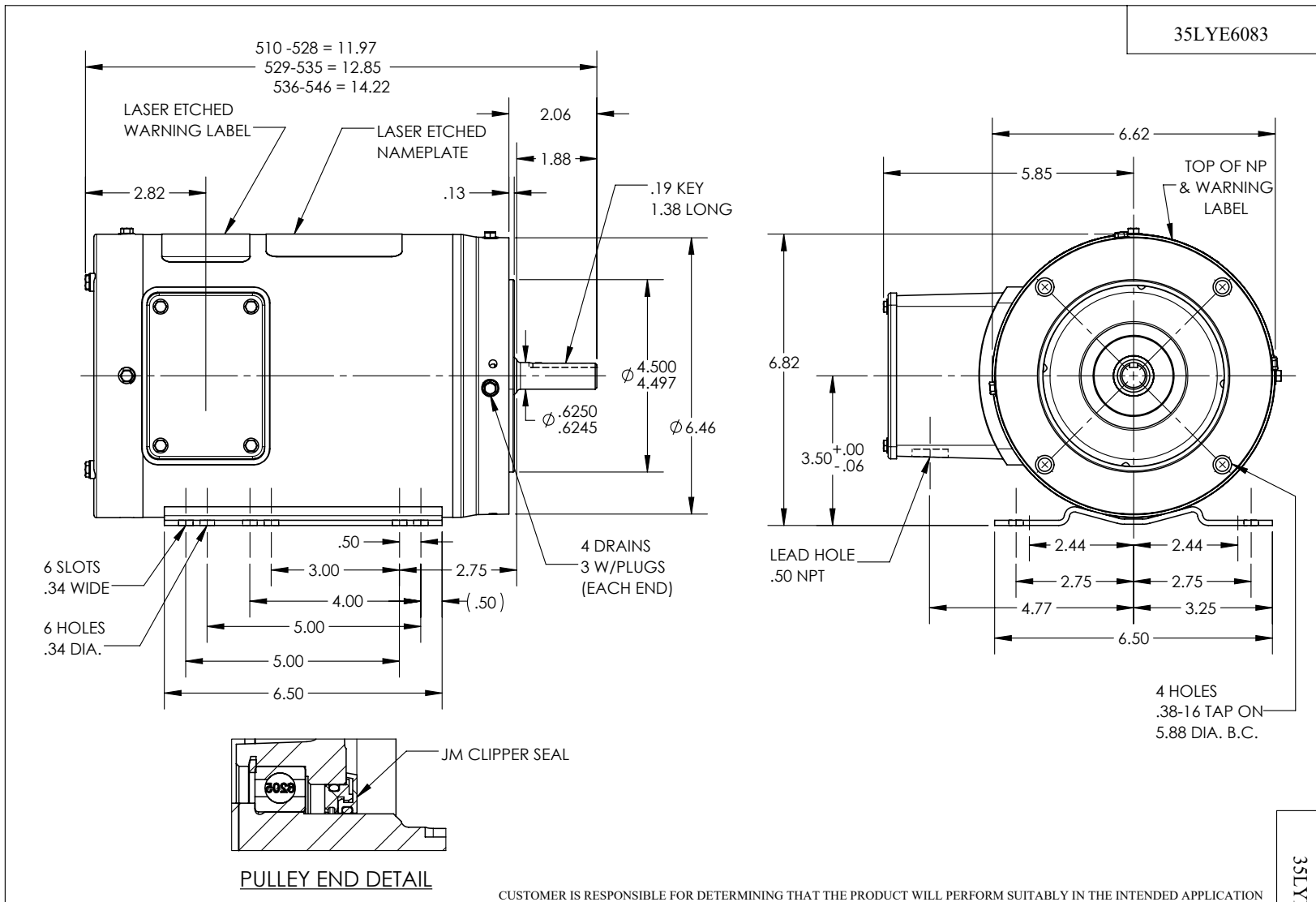
Typical performance - not guaranteed values.

TORQUES (LB-FT): PO=8.8 PU=4.8 LR=5.2 LRA=6.6



1/21/2025 ACPERF, record # 93061

35LYE6083



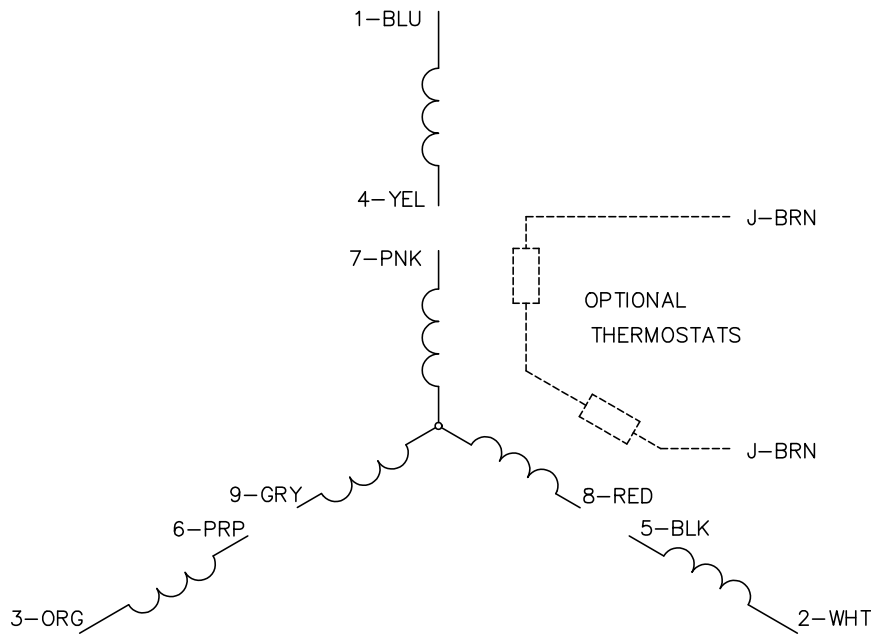
35LYE6083

| | | | |
|---------------------------------------|-------------|------------------------------|-------------------|
| REV. DESC: NEW - REPLACE 35LY-000-350 | | | |
| REV: - | VERSION: 00 | REVISED: 11:55:57 02/21/2023 | TDR: 000001197425 |
| MODEL NO. 35LYE6083 | | REF: - | |
| BY: ENALEM0 | | | |

BALDOR - RELIANCE®

STD HORZ 56HC TENV 35M WD4

CD0005



LOW VOLTAGE
(2Y)



LINE

HIGH VOLTAGE
(1Y)



LINE

NOTES:

1. INTERCHANGE ANY TWO LINE LEADS TO REVERSE ROTATION.
2. OPTIONAL THERMOSTATS ARE PROVIDED WHEN SPECIFIED.
3. ACTUAL NUMBER OF INTERNAL PARALLEL CIRCUITS MAY BE A MULTIPLE OF THOSE SHOWN ABOVE.
4. LEAD COLORS ARE OPTIONAL. LEADS MUST ALWAYS BE NUMBERED AS SHOWN.

CD0005

| | | | |
|---|---------|-------------------------|--------------|
| REV. DESC: REVISE TO SHOW OPTIONAL COLORS | | | |
| REV. LTR: E | BY: JLP | REVISED: 01/19/99 10:15 | TDR: 0171435 |
| S00000 | | FILE: AAA00005140 | MDL: - |
| | | MTL: - | |

BALDOR ELECTRIC Co.

3PH, DV, 9 LEADS