

BALDOR • RELIANCE

Customer information packet

CFSWDM41902T

20HP, 1180RPM, 3PH, 60HZ, 284TC, 4072M, TEFC, F

Specifications

Enclosure	TEFC
Frame	284TC
Frame Material	Stainless Steel
Frequency	60.00 Hz
Motor Letter Type	Three Phase
Output @ Frequency	20.000 HP @ 60 HZ
Phase	3
Synchronous Speed @ Frequency	1200 RPM @ 60 HZ
Voltage @ Frequency	460.0 V @ 60 HZ 230.0 V @ 60 HZ
Agency Approvals	CSA NEMA PREMIUM UR
Ambient Temperature	40 °C
Auxillary Box	No Auxillary Box
Auxillary Box Lead Termination	None
Base Indicator	Rigid
Bearing Grease Type	Polyrex EM (-20F +300F)
Blower	None
Current @ Voltage	26.000 A @ 460.0 V 52.000 A @ 230.0 V
Design Code	A
Drip Cover	No Drip Cover
Duty Rating	CONT
Efficiency @ 100% Load	91.7 %
Electrically Isolated Bearing	Not Electrically Isolated
Feedback Device	NO FEEDBACK
Front Face Code	Standard
Front Shaft Indicator	None
Heater Indicator	No Heater
High Voltage Full Load Amps	26.0 a
Insulation Class	H

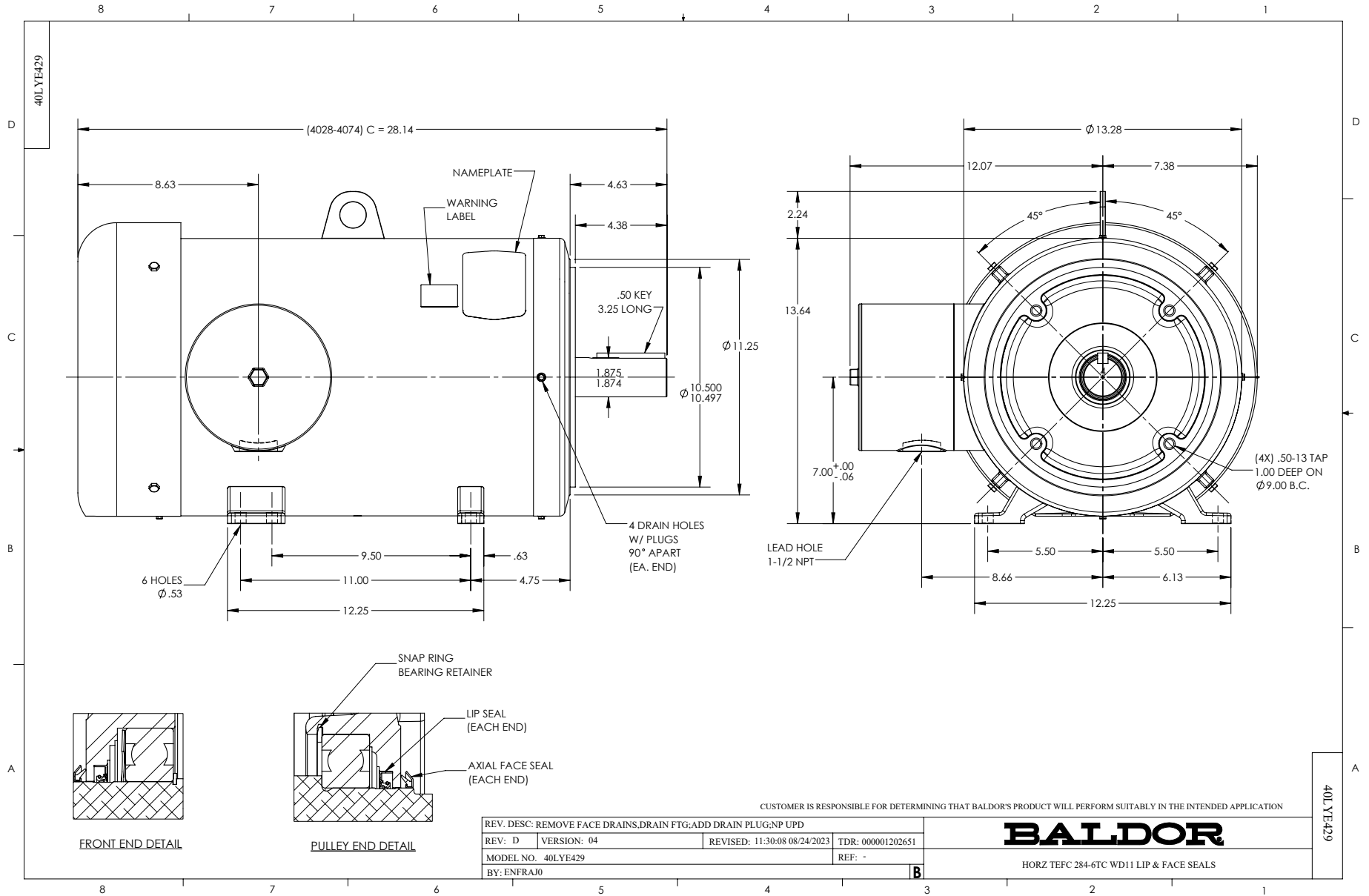
Part detail

Revision	G
Type	AC
Mech. spec.	40E429
Base	
Status	PRD/A
Elec. spec.	40WGX348
Layout	40LYE429
Eff. date	09-22-2023
CD Diagram	CD0180
Poles	06
Leads	9#10
Proprietary	False
Created date	06-13-2017

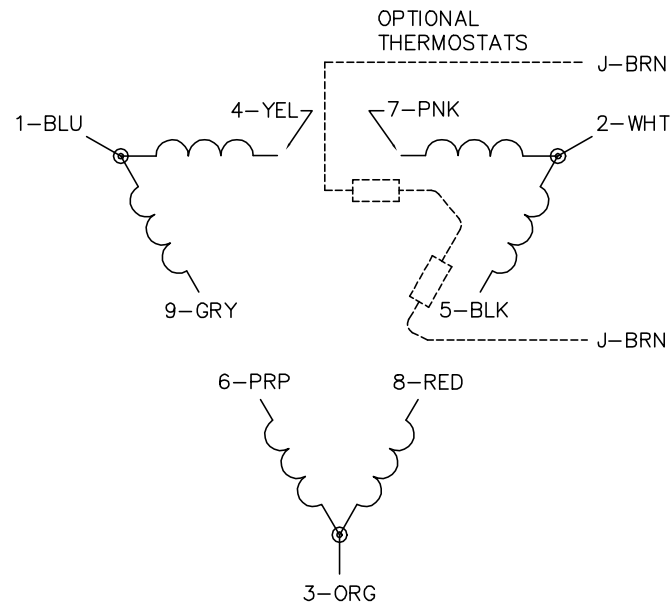
Inverter Code	Inverter Ready
KVA Code	H
Lifting Lugs	Standard Lifting Lugs
Locked Bearing Indicator	Locked Bearing
Motor Lead Exit	Ko Box
Motor Lead Quantity/Wire Size	9 @ 10 AWG
Motor Lead Termination	Flying Leads
Motor Standards	NEMA
Motor Type	4072M
Mounting Arrangement	F1
Number of Poles	6
Overall Length	28.14 IN
Power Factor	78
Product Family	WD All SD Non-Encapsulated
Pulley End Bearing Type	Ball
Pulley Face Code	C-Face
Pulley Shaft Indicator	Standard
Rodent Screen	None
RoHS Status	ROHS COMPLIANT
Service Factor	1.15
Shaft Diameter	1.875 IN
Shaft Extension Location	Pulley End
Shaft Ground Indicator	No Shaft Grounding
Shaft Rotation	Reversible
Shaft Slinger Indicator	No Slinger
Speed	1180 rpm
Speed Code	Single Speed
Starting Method	Direct on line
Thermal Device - Bearing	None
Thermal Device - Winding	None
Vibration Sensor Indicator	No Vibration Sensor
Winding Thermal 1	None
Winding Thermal 2	None

Nameplate

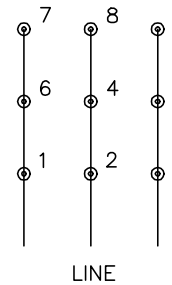
NP4427AAA05											
CAT #	CFSWDM41902T					LBS					
SPEC	40E429X348G1					ENCL	TEFC				
SER #						CC	010A	IP	69		
HP	20		MAG CUR	24.6/12.3							
VOLTS	230/460					NEMA NOM. EFF	91.7				
AMPS	52/26					PF	78				
RATING	40C AMB-CONT										
RPM	1180					MAX RPM	1800				
FRAME	284TC	HZ	60	CODE	H	CLASS	H				
SER.F.	1.15	SF AMP				PH	3	DES	A		
DE	6311		ODE	6311							
LUBRICATION	POLYREX EM										
ID LOGO	VPWM	CHP	60	TO	90	1.5:1					
ID LOGO	WK2	8.82	CT	30	TO	60	2:1				
ID LOGO	SL HZ	1	VT	6	TO	60	10:1				
YR						QR					



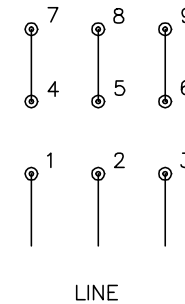
CD0180



LOW VOLTAGE
(2D)



HIGH VOLTAGE
(1D)



NOTES:

1. INTERCHANGE ANY TWO LINE LEADS TO REVERSE ROTATION.
2. OPTIONAL THERMOSTATS ARE PROVIDED WHEN SPECIFIED.
3. ACTUAL NUMBER OF INTERNAL PARALLEL CIRCUITS MAY BE A MULTIPLE OF THOSE SHOWN ABOVE.
4. LEAD COLORS ARE OPTIONAL. LEADS MUST ALWAYS BE NUMBERED AS SHOWN.

CD0180

REV. DESC: ADD CLASS CONN00000007		
REV. LTR: D	VERSION: 01	TDR: 000001099922
FILE: \AAA\00005\148	REVISED: 10: 25: 29 02/19/2019	BY: ENBRIRO
MTL: -	© □	

BALDOR - RELIANCE®

3PH, DV, 9 LEADS, DELTA CONNECTION

SH 1 of 1