



---

# Customer information packet

## CDRX14244T-5

2HP, 1765RPM, 3PH, 60HZ, 145TC, 3528M, XPFC, F1

Class - CLI GP C,D

Division - Division I

## Specifications

Enclosure	XPFC
Frame	145TC
Frame Material	Steel
Frequency	60.00 Hz
Haz Area Class and Group	CLI GP C,D
Haz Area Division	Division I
Motor Letter Type	Three Phase
Output @ Frequency	2.000 HP @ 60 HZ
Phase	3
Synchronous Speed @ Frequency	1800 RPM @ 60 HZ
Voltage @ Frequency	575.0 V @ 60 HZ
Agency Approvals	UL CSA EEV
Ambient Temperature	40 °C
Auxillary Box	No Auxillary Box
Auxillary Box Lead Termination	None
Base Indicator	Rigid
Bearing Grease Type	Polyrex EM (-20F +300F)
Blower	None
Constant Torque Speed Range	6
Current @ Voltage	2.300 A @ 575.0 V
Design Code	B
Drip Cover	No Drip Cover
Duty Rating	CONT
Efficiency @ 100% Load	86.5 %
Electrically Isolated Bearing	Not Electrically Isolated
Feedback Device	NO FEEDBACK
Haz Area Temp Code	T3C
Heater Indicator	No Heater
High Voltage Full Load Amps	2.3 a
Insulation Class	F
Inverter Code	Inverter Duty

## Part detail

Revision	B
Type	AC
Mech. spec.	
Base	
Status	PRD/A
Elec. spec.	35WGG113
Layout	35LYX732
Eff. date	02-21-2024
CD Diagram	CD0006
Poles	04
Leads	3#18
Proprietary	False
Created date	10-28-2021

<b>KVA Code</b>	L
<b>Lifting Lugs</b>	No Lifting Lugs
<b>Locked Bearing Indicator</b>	Locked Bearing
<b>Max Speed</b>	2700 rpm
<b>Motor Lead Termination</b>	Flying Leads
<b>Motor Standards</b>	NEMA
<b>Motor Type</b>	3528M
<b>Mounting Arrangement</b>	F1
<b>Number of Poles</b>	4
<b>Overall Length</b>	15.21 IN
<b>Power Factor</b>	76
<b>Product Family</b>	General Purpose
<b>Pulley Face Code</b>	C-Face
<b>Rodent Screen</b>	None
<b>Service Factor</b>	1.00
<b>Shaft Diameter</b>	0.875 IN
<b>Shaft Ground Indicator</b>	No Shaft Grounding
<b>Shaft Rotation</b>	Reversible
<b>Speed</b>	1765 rpm
<b>Speed Code</b>	Single Speed
<b>Starting Method</b>	Direct on line
<b>Thermal Device - Bearing</b>	None
<b>Thermal Device - Winding</b>	Normally Closed Thermostat
<b>Vibration Sensor Indicator</b>	No Vibration Sensor
<b>Winding Thermal 1</b>	None
<b>Winding Thermal 2</b>	None

**Nameplate**

NP1401XPSLEV									
<b>NO.</b>		<b>CC</b>	010A						
<b>S/N</b>		<b>TEMP CODE</b>	T3C						
<b>SPEC.</b>	35-0000-1358		<b>INV.TYPE</b>	PWM					
<b>CAT.NO.</b>	CDRX14244T-5		<b>C HP FR</b>	60	<b>C HP TO</b>	90			
<b>HP</b>	2		<b>CT HZ FROM</b>	6	<b>CT HZ TO</b>	60			
<b>VOLTS</b>	575		<b>VT HZ FROM</b>	6	<b>VT HZ TO</b>	60			
<b>AMPS</b>	2.3		<b>MAG CUR</b>	1.4					
<b>RPM</b>	1765		<b>MX RPM</b>	2700					
<b>HZ</b>	60	<b>PH</b>	3	<b>CL</b>	F	<b>NOM.EFF.</b>	86.5		
<b>SER.F.</b>	1.00	<b>DES</b>	B	<b>SL HZ</b>	1.2	<b>WK2</b>	0.202		
<b>FRAME</b>	145TC	<b>RATING</b>	40C AMB-CONT						
	55C AMB @ 1.0 SF								
	1.15 SF SINE WAVE		NEMA MG-1 PT 5, IP55						
	SFA 2.3								

**AC Induction Motor Performance Data**

Record # 87426

Typical performance - not guaranteed values

Winding: 35WGG113-R005		Type: 3528M		Enclosure: XPFC	
<b>Nameplate Data</b>			<b>575 V, 60 Hz: Single Voltage Motor</b>		
Rated Output (HP)		2	Full Load Torque		5.95 LB-FT
Volts		575	Start Configuration		direct on line
Full Load Amps		2.15	Breakdown Torque		23.7 LB-FT
R.P.M.		1764	Pull-up Torque		14.43 LB-FT
Hz	60 Phase	3	Locked-rotor Torque		17.45 LB-FT
NEMA Design Code	B KVA Code	L	Starting Current		19.89 A
Service Factor (S.F.)		1	No-load Current		1.39 A
NEMA Nom. Eff.	86.5 Power Factor	80	Line-line Res. @ 25°C		15 Ω
Rating - Duty		40C AMB-CONT	Temp. Rise @ Rated Load		58°C
			Locked-rotor Power Factor		57
			Rotor inertia		0.188 lb-ft <sup>2</sup>

**Load Characteristics 575 V, 60 Hz, 2 HP**

% of Rated Load	25	50	75	100	125	150
Power Factor	34	54	68	76	81	84
Efficiency	77	84.7	86.6	86.3	85.3	83.7
Speed	1791	1783	1775	1766	1757	1745
Line amperes	1.45	1.64	1.93	2.29	2.74	3.19

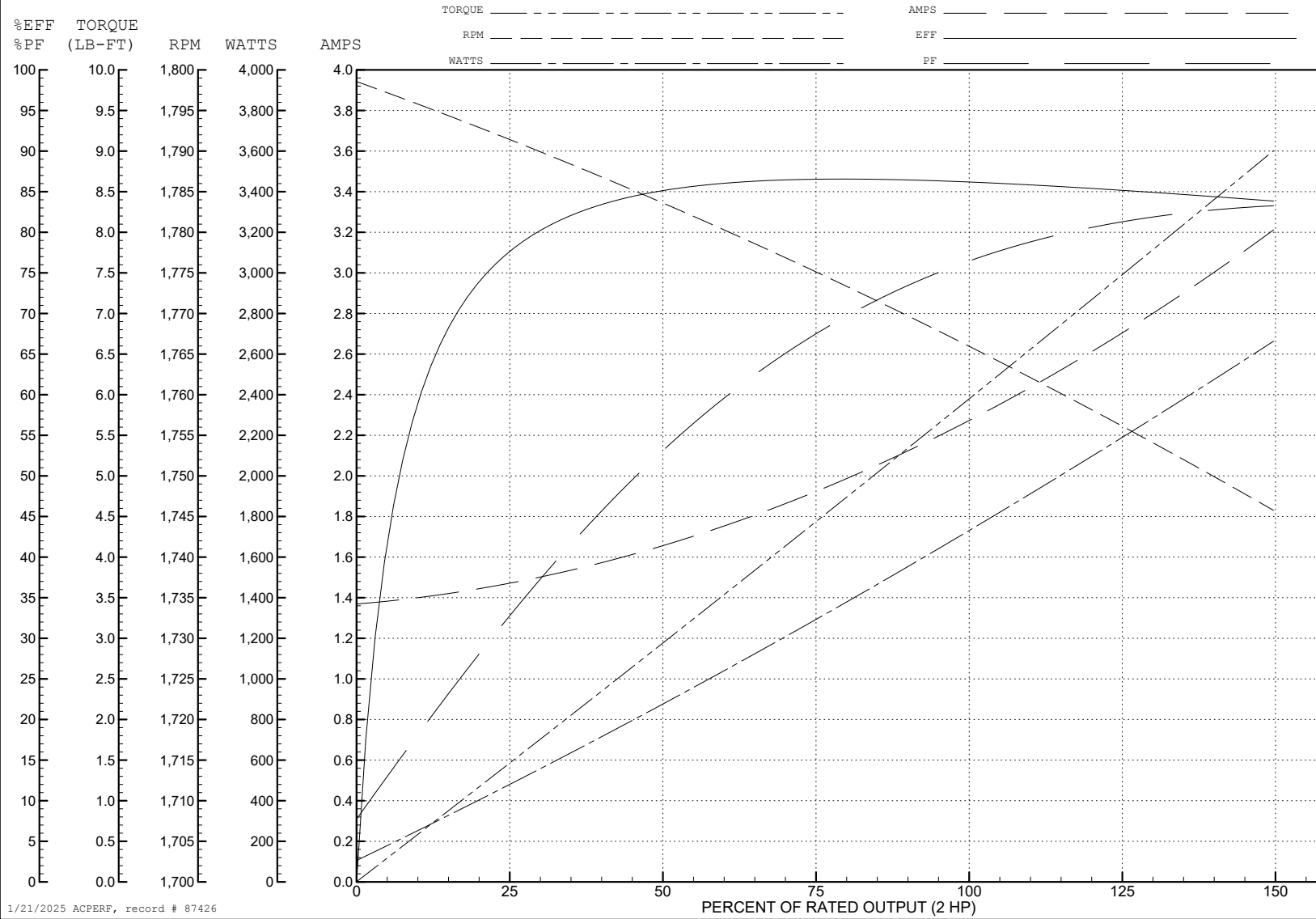
ABB Motors and Mechanical Inc.

WINDING # 35WGG113

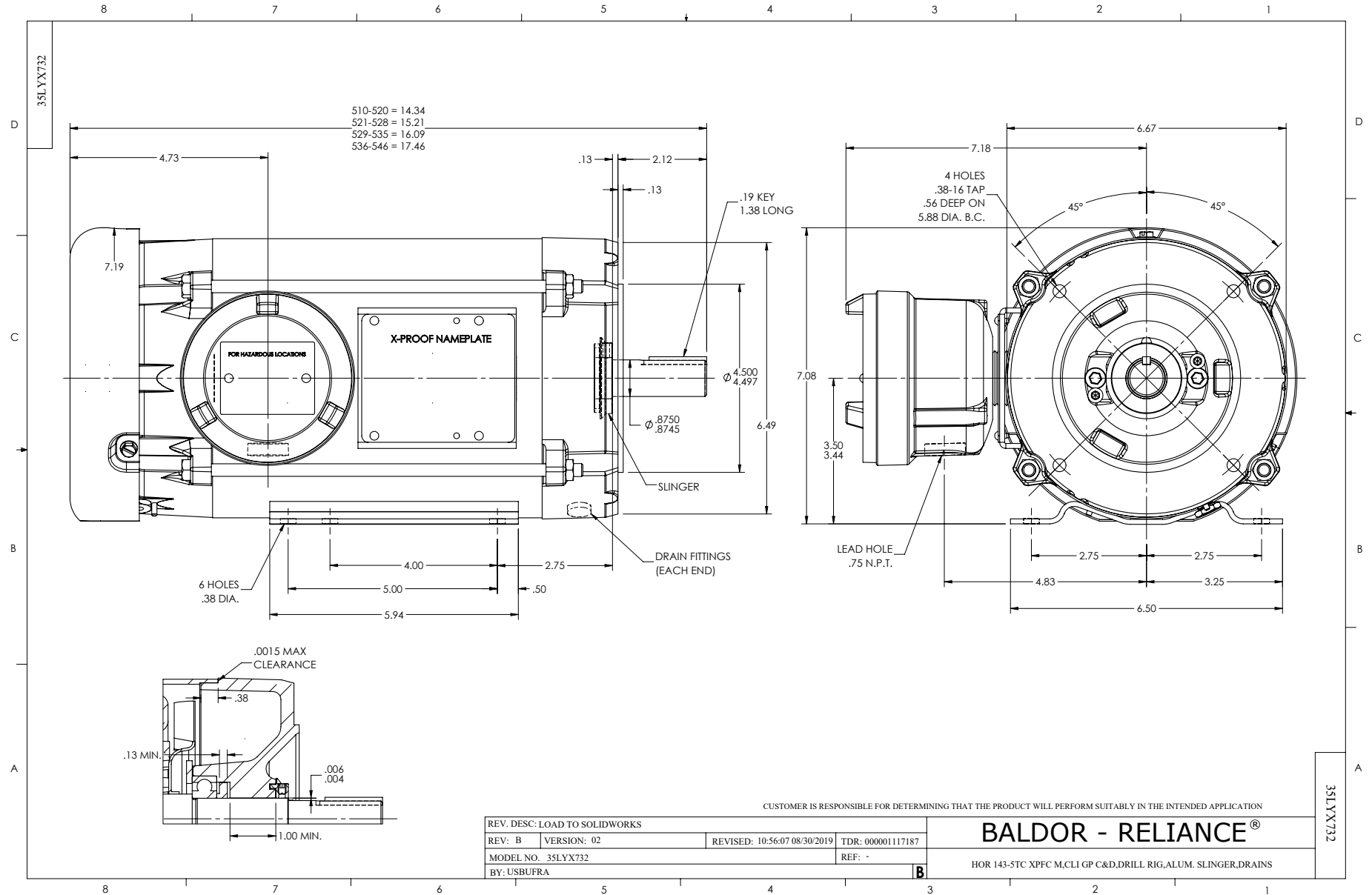
2 HP 3 PH 60 HZ 1764 RPM 575 V 3528M

Typical performance - not guaranteed values.

TORQUES (LB-FT): PO=23.7 PU=14.43 LR=17.45 LRA=19.89



1/21/2025 ACPERF, record # 87426



CD0006



NOTES:

1. THREE LEAD MOTOR MAY BE EITHER WYE CONNECTED OR DELTA CONNECTED.
2. INTERCHANGE ANY TWO LINE LEADS TO REVERSE ROTATION.
3. OPTIONAL THERMOSTATS ARE PROVIDED WHEN SPECIFIED.
4. ACTUAL NUMBER OF INTERNAL PARALLEL CIRCUITS MAY VARY.
5. LEAD COLORS ARE OPTIONAL. LEADS MUST BE NUMBERED AS SHOWN.

CD0006

REV. DESC: ADD CLASS CONN00000007		
REV. LTR: E	VERSION: 01	TDR: 000001099922
FILE: \AAA\00005\141	REVISED: 10:24:49 02/19/2019	BY: ENBRIRO
MTL: -	© □	

**BALDOR - RELIANCE®**

3PH, SV, 3 LEADS, WYE OR DELTA CONNECTED

SH 1 of 1