

BALDOR® • RELIANCE™

Customer information packet

CDRX251524T

15HP, 3530//2940RPM, 3PH, 60/50HZ, 254TC, XPF

Class - CLI GP C,D

Division - Division I

Specifications

| | |
|--------------------------------|--|
| Enclosure | XPFC |
| Frame | 254TC |
| Frame Material | Iron |
| Frequency | 50.00 Hz 60.00 Hz |
| Haz Area Class and Group | CLI GP C,D |
| Haz Area Division | Division I |
| Motor Letter Type | Three Phase |
| Output @ Frequency | 10.000 HP @ 50 HZ 15.000 HP @ 60 HZ |
| Phase | 3 |
| Synchronous Speed @ Frequency | 3600 RPM @ 60 HZ |
| Voltage @ Frequency | 380.0 V @ 50 HZ 230.0 V @ 60 HZ 190.0 V @ 50 HZ 460.0 V @ 60 HZ |
| Agency Approvals | CSA EEV UL |
| Ambient Temperature | 40 °C |
| Auxillary Box | No Auxillary Box |
| Auxillary Box Lead Termination | None |
| Base Indicator | Rigid |
| Bearing Grease Type | Polyrex EM (-20F +300F) |
| Blower | None |
| Constant Torque Speed Range | 6 |
| Current @ Voltage | 37.000 A @ 208.0 V 34.400 A @ 230.0 V 29.000 A @ 190.0 V 17.200 A @ 460.0 V 14.500 A @ 380.0 V |
| Design Code | A |
| Drip Cover | No Drip Cover |

Part detail

| | |
|--------------|------------|
| Revision | F |
| Type | AC |
| Mech. spec. | |
| Base | |
| Status | PRD/A |
| Elec. spec. | 09WGZ864 |
| Layout | 09LYF368 |
| Eff. date | 02-14-2024 |
| CD Diagram | CD0180 |
| Poles | 02 |
| Leads | 9#12 |
| Proprietary | False |
| Created date | 06-04-2019 |

| | |
|-------------------------------|----------------------------|
| Duty Rating | CONT |
| Efficiency @ 100% Load | 91.0 % |
| Electrically Isolated Bearing | Not Electrically Isolated |
| Feedback Device | NO FEEDBACK |
| Haz Area Temp Code | T3C |
| Heater Indicator | No Heater |
| High Voltage Full Load Amps | 14.5 a |
| Insulation Class | F |
| Inverter Code | Inverter Duty |
| IP Rating | NONE |
| KVA Code | H |
| Lifting Lugs | Standard Lifting Lugs |
| Locked Bearing Indicator | Locked Bearing |
| Max Speed | 5400 rpm |
| Motor Lead Termination | Flying Leads |
| Motor Standards | NEMA |
| Motor Type | 0934M |
| Mounting Arrangement | F1 |
| Number of Poles | 2 |
| Overall Length | 26.00 IN |
| Power Factor | 88 |
| Product Family | Hazardous Location Motor |
| Pulley Face Code | C-Face |
| Rodent Screen | None |
| RoHS Status | ROHS NON-COMPLIANT |
| Service Factor | 1.00 |
| Shaft Diameter | 1.625 IN |
| Shaft Ground Indicator | No Shaft Grounding |
| Shaft Rotation | Reversible |
| Speed | 3530 rpm |
| Speed Code | Single Speed |
| Starting Method | Direct on line |
| Thermal Device - Bearing | None |
| Thermal Device - Winding | Normally Closed Thermostat |

Vibration Sensor Indicator**No Vibration Sensor****Winding Thermal 1****None****Winding Thermal 2****None**

Nameplate

| NP1401XPSLEV | | | | | | | | | | |
|---------------------|----------------------------|------------------|---------------------|--------------|-----------------|-----------------|------|--|--|--|
| NO. | | CC | 010A | | | | | | | |
| S/N | | TEMP CODE | T3C | | | | | | | |
| SPEC. | 09-0000-1444 | | INV.TYPE | PWM | | | | | | |
| CAT.NO. | CDRX251524T | | C HP FR | 60 | C HP TO | 90 | | | | |
| HP | 15//10 | | CT HZ FROM | 6 | CT HZ TO | 60 | | | | |
| VOLTS | 230/460//190/380 | | VT HZ FROM | 6 | VT HZ TO | 60 | | | | |
| AMPS | 34.4/17.2//29/14.5 | | MAG CUR | 11.8/5.9 | | | | | | |
| RPM | 3530//2940 | | MX RPM | 5400 | | | | | | |
| HZ | 60//50 | PH | 3 | CL | F | NOM.EFF. | 91 | | | |
| SER.F. | 1.00 | DES | A | SL HZ | 1.2 | WK2 | 0.87 | | | |
| FRAME | 254TC | RATING | 40C AMB-CONT | | | | | | | |
| | 55C AMB @ 1.0 SF, 60C RISE | | | | | | | | | |
| | 1.15SF ON SINEWAVE | | NEMA MG-1 PT.5,IP55 | | | | | | | |

AC Induction Motor Performance Data

Record # 66211

Typical performance - not guaranteed values

| Winding: 09WGZ864-R003 | | Type: 0934M | | Enclosure: XPFC | |
|-------------------------------|--------------|----------------------------|--|------------------------------|------------|
| Nameplate Data | | | 460 V, 60 Hz: High Voltage Connection | | |
| Rated Output (HP) | 15 | Full Load Torque | 22.2 LB-FT | | |
| Volts | 230/460 | Start Configuration | direct on line | | |
| Full Load Amps | 34.4/17.2 | Breakdown Torque | 102 LB-FT | | |
| R.P.M. | 3530 | Pull-up Torque | 32.9 LB-FT | | |
| Hz | 60 | Phase | 3 | Locked-rotor Torque | 40.8 LB-FT |
| NEMA Design Code | A | KVA Code | H | Starting Current | 128 A |
| Service Factor (S.F.) | 1 | No-load Current | 5.9 A | | |
| NEMA Nom. Eff. | 91 | Power Factor | 88 | Line-line Res. @ 25°C | 0.591 Ω |
| Rating - Duty | 40C AMB-CONT | | Temp. Rise @ Rated Load | 56°C | |
| | | | Locked-rotor Power Factor | 29.4 | |
| | | | Rotor inertia | 0.868 LB-FT ² | |

Load Characteristics 460 V, 60 Hz, 15 HP

| % of Rated Load | 25 | 50 | 75 | 100 | 125 | 150 |
|------------------------|-----------|-----------|-----------|------------|------------|------------|
| Power Factor | 57 | 78 | 86 | 89 | 90 | 90 |
| Efficiency | 86.2 | 90.8 | 91.7 | 91.6 | 91.3 | 90.5 |
| Speed | 3583 | 3567 | 3550 | 3533 | 3514 | 3493 |
| Line amperes | 7.2 | 10 | 13.4 | 17.2 | 21.2 | 25.6 |

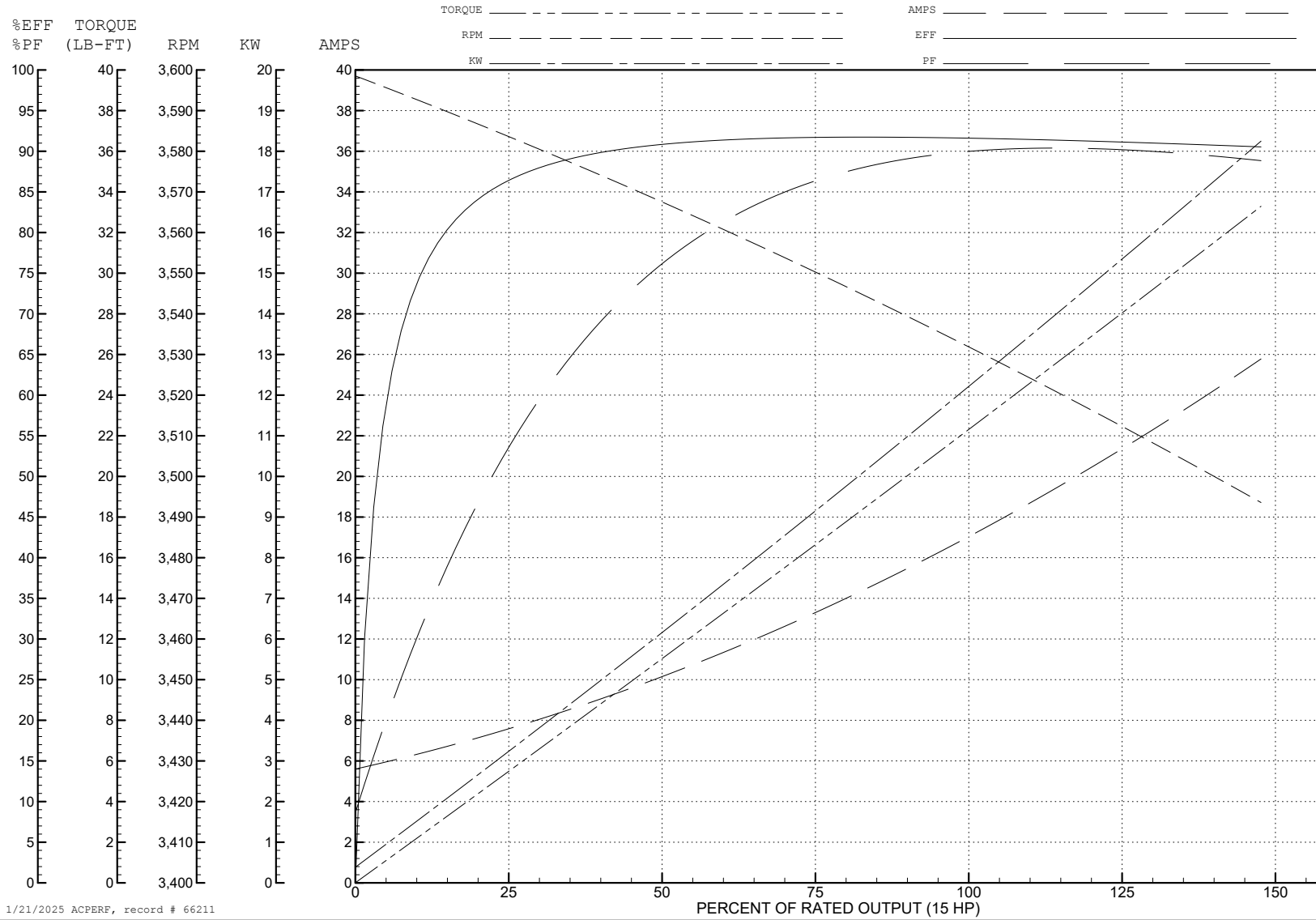
ABB Motors and Mechanical Inc.

WINDING # 09WGZ864

Typical performance - not guaranteed values.

15 HP 3 PH 60 HZ 3530 RPM 460 V 0934M

TORQUES (LB-FT): PO=102 PU=32.9 LR=40.8 LRA=128



1/21/2025 ACPERF, record # 66211

AC Induction Motor Performance Data

Record # 75707

Typical performance - not guaranteed values

| Winding: 09WGZ864-R004 | | Type: 0934M | | Enclosure: XPFC | |
|-------------------------------|--------------------|---------------------|--|----------------------------------|--------------------------|
| Nameplate Data | | | 380 V, 50 Hz: High Voltage Connection | | |
| Rated Output (HP) | 15//10 | | Full Load Torque | 17.74 LB-FT | |
| Volts | 230/460//190/380 | | Start Configuration | direct on line | |
| Full Load Amps | 34.4/17.2//29/14.5 | | Breakdown Torque | 97.77 LB-FT | |
| R.P.M. | 3530//2940 | | Pull-up Torque | 34.86 LB-FT | |
| Hz | 60//50 | Phase | 3 | Locked-rotor Torque | 43.23 LB-FT |
| NEMA Design Code | A KVA Code | | H | Starting Current | 125 A |
| Service Factor (S.F.) | | | 1 | No-load Current | 5.79 A |
| NEMA Nom. Eff. | 91 | Power Factor | 88 | Line-line Res. @ 25°C | 0.591 Ω |
| Rating - Duty | 40C AMB-CONT | | | Temp. Rise @ Rated Load | 42°C |
| S.F. Amps | | | | Temp. Rise @ S.F. Load | 51°C |
| | | | | Locked-rotor Power Factor | 33.3 |
| | | | | Rotor inertia | 0.868 LB-FT ² |

Load Characteristics 380 V, 50 Hz, 10 HP

| % of Rated Load | 25 | 50 | 75 | 100 | 125 | 150 |
|------------------------|-----------|-----------|-----------|------------|------------|------------|
| Power Factor | 51 | 73 | 83 | 87 | 89 | 89 |
| Efficiency | 84.8 | 90.1 | 91.1 | 91.4 | 91 | 90.4 |
| Speed | 2986 | 2973 | 2959 | 2946 | 2931 | 2914 |
| Line amperes | 6.62 | 8.7 | 11.27 | 14.19 | 17.29 | 20.69 |

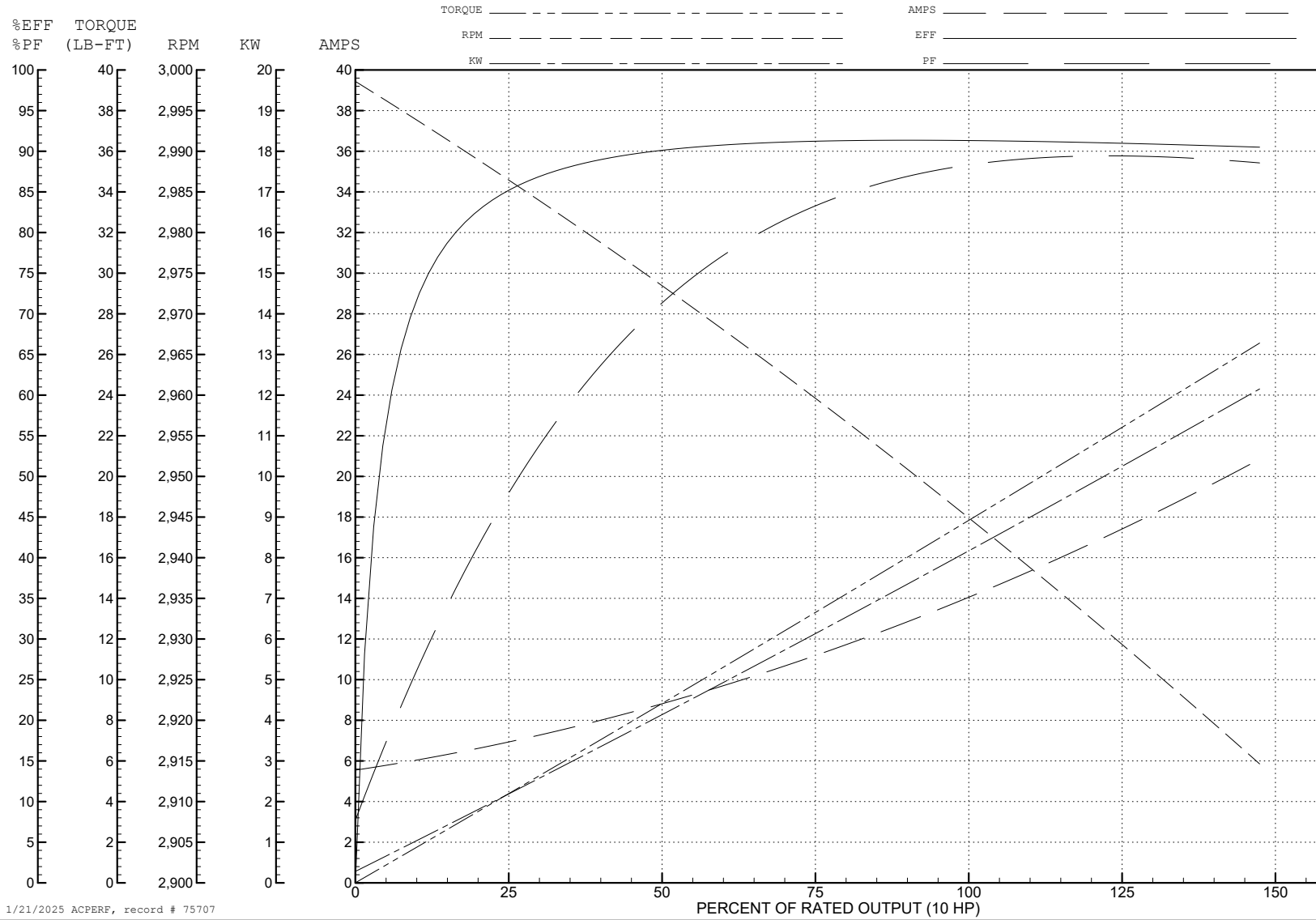
ABB Motors and Mechanical Inc.

WINDING # 09WGZ864

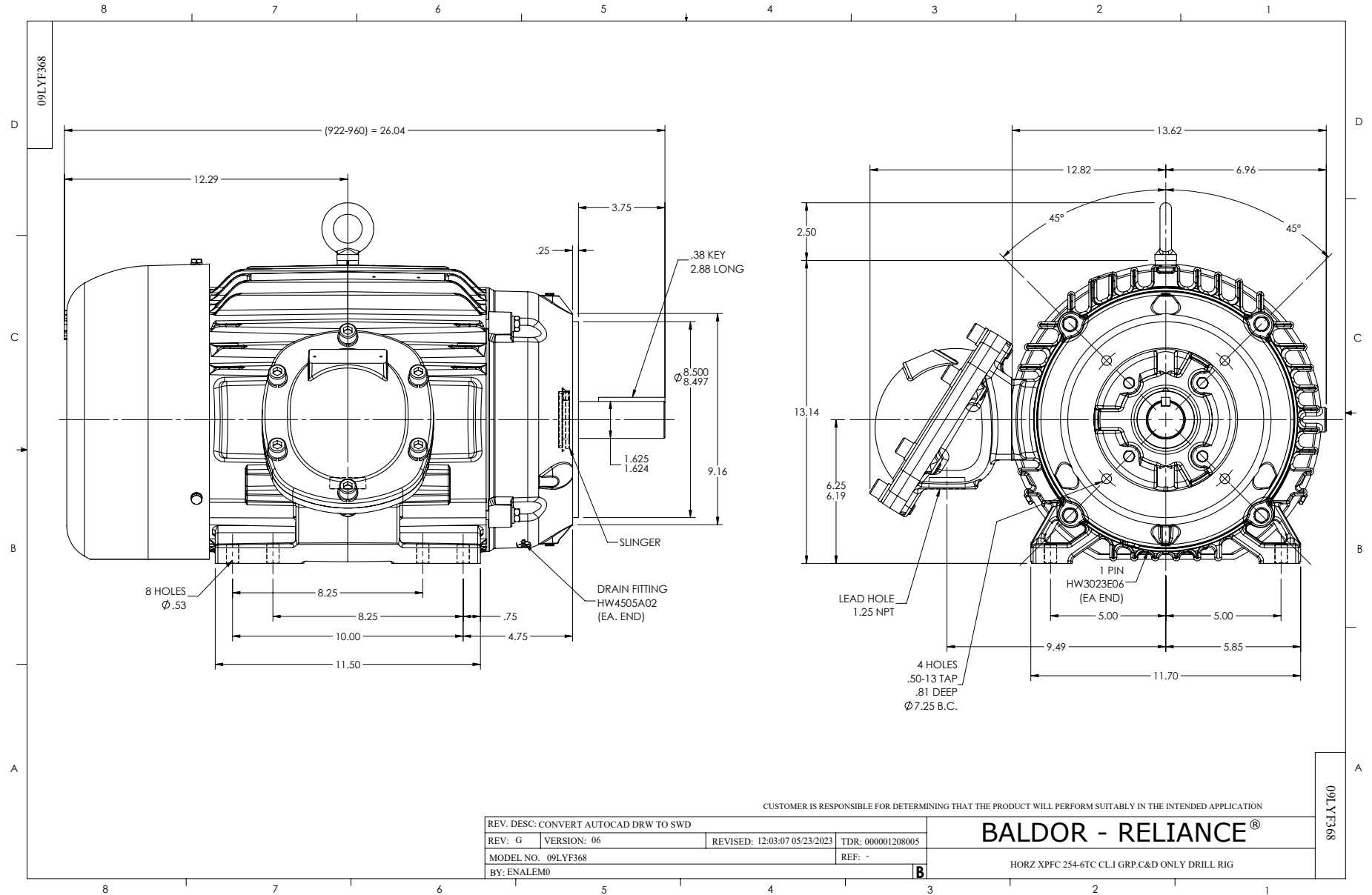
Typical performance - not guaranteed values.

10 HP 3 PH 50 HZ 2946 RPM 380 V 0934M

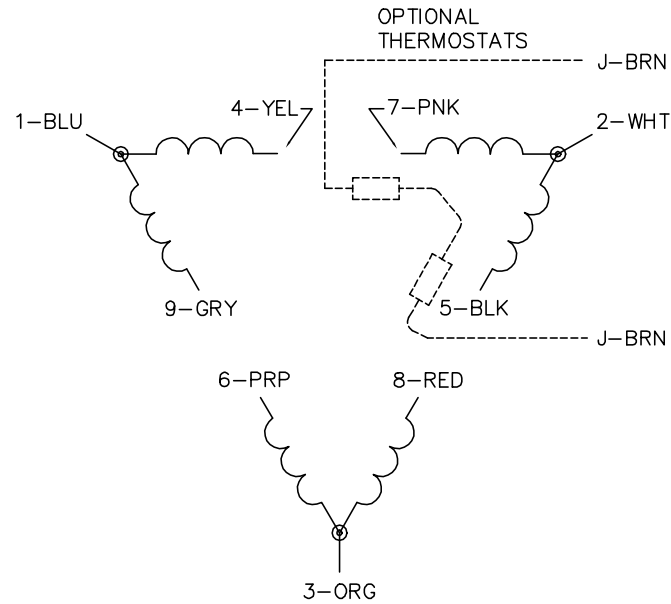
TORQUES (LB-FT): PO=97.77 PU=34.86 LR=43.23 LRA=125



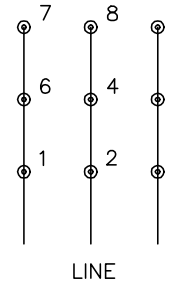
1/21/2025 ACPERF, record # 75707



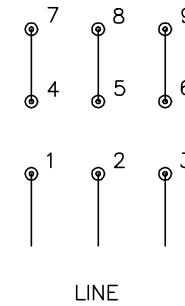
CD0180



LOW VOLTAGE
(2D)



HIGH VOLTAGE
(1D)



NOTES:

1. INTERCHANGE ANY TWO LINE LEADS TO REVERSE ROTATION.
2. OPTIONAL THERMOSTATS ARE PROVIDED WHEN SPECIFIED.
3. ACTUAL NUMBER OF INTERNAL PARALLEL CIRCUITS MAY BE A MULTIPLE OF THOSE SHOWN ABOVE.
4. LEAD COLORS ARE OPTIONAL. LEADS MUST ALWAYS BE NUMBERED AS SHOWN.

CD0180

| | | |
|-----------------------------------|--------------------------------|-------------------|
| REV. DESC: ADD CLASS CONN00000007 | | |
| REV. LTR: D | VERSION: 01 | TDR: 000001099922 |
| FILE: \AAA\00005\148 | REVISED: 10: 25: 29 02/19/2019 | BY: ENBRIRO |
| MTL: - | © □ | |

BALDOR - RELIANCE®

3PH, DV, 9 LEADS, DELTA CONNECTION

SH 1 of 1