

**BALDOR® • RELIANCE®**

---

# Customer information packet

## 1022WD

28C 4P GRNDR W/EXH

**Specifications**

<b>Frequency</b>	60.00 Hz
<b>Nameplate Output</b>	1
<b>Number of Poles</b>	4
<b>Phase</b>	1
<b>Product Style</b>	GRINDER
<b>Shaft Diameter</b>	0.875 IN
<b>Speed</b>	1800 rpm
<b>Voltage</b>	115 V 230 V

**Part detail**

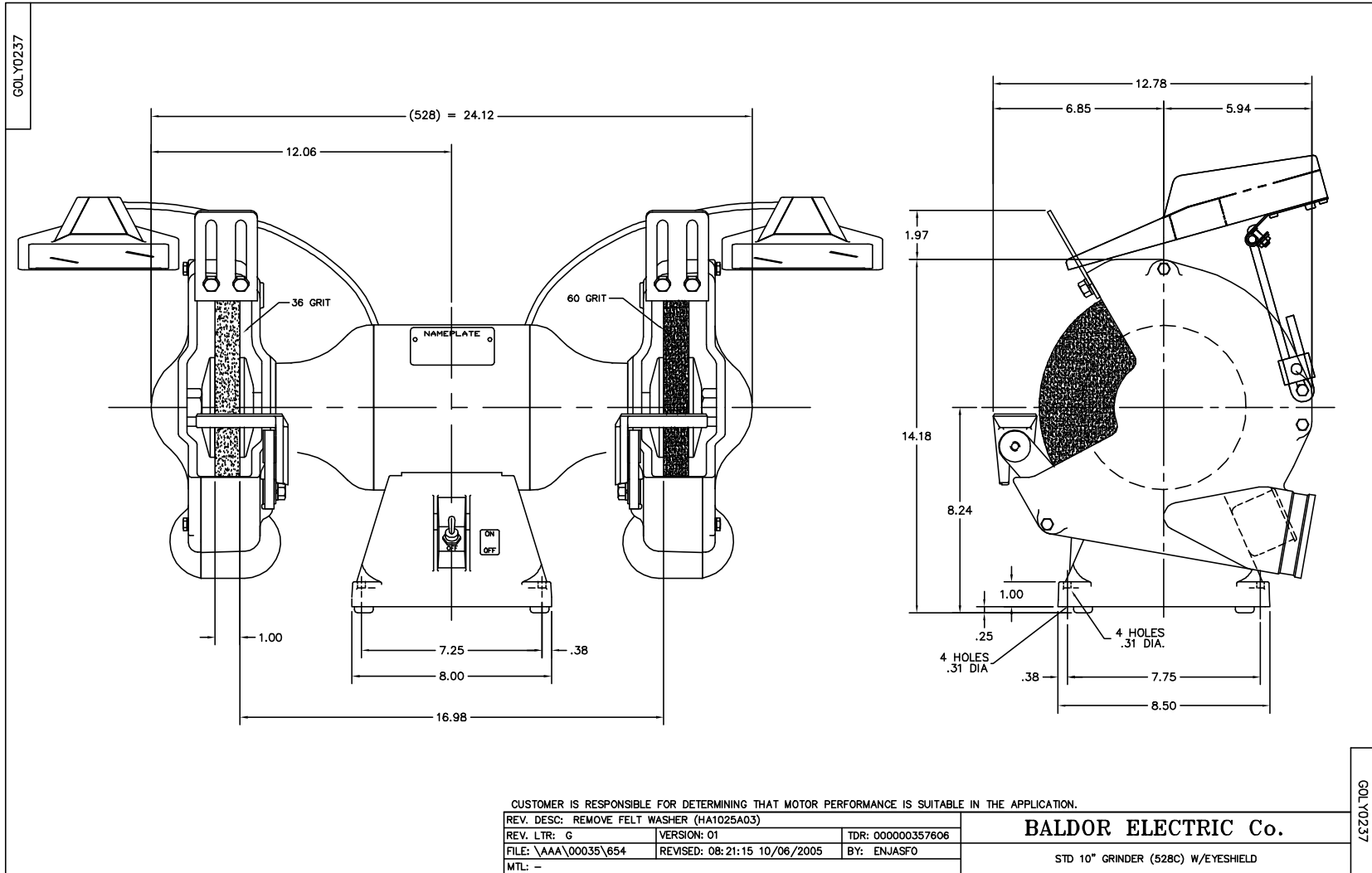
<b>Revision</b>	BA
<b>Type</b>	AC
<b>Mech. spec.</b>	G10-237
<b>Base</b>	
<b>Status</b>	PRD/A
<b>Elec. spec.</b>	G0WG0002
<b>Layout</b>	G0LY0237
<b>Eff. date</b>	08-16-2024
<b>CD Diagram</b>	CD0279
<b>Poles</b>	04
<b>Leads</b>	4#18 SEE NOTES Y
<b>Proprietary</b>	False
<b>Created date</b>	01-01-0001

**Nameplate**

<b>NP3118</b>			
<b>CAT.NO.</b>	1022WD		
<b>HP</b>	1	<b>VOLTS</b>	115/230
<b>PHASE</b>	1	<b>AMPS</b>	9.8/4.9
<b>HZ</b>	60	<b>RPM</b>	1800
<b>SER.NO</b>			
<b>SPEC.</b>	G10-237-2		

**Accessories**

<b>Part number</b>	<b>Description</b>	<b>Multiplier</b>
GA16	PEDESTAL INDUSTRIAL, CAST IRON 6" - 10"	A8
GA14	PEDESTAL FABRICATED STEEL W/SHELVES	A8
GA20	PEDESTAL INDUSTRIAL, CAST IRON 8"-14"	A8
GA20E	PEDESTAL LIGHT INDUSTRIAL,STEEL	A8
B102	10" 36 GRIT GRINDING WHEEL	A8
B103	10" 60 GRIT GRINDING WHEEL	A8
GA9	PAIR LIGHTED EYESHIELDS	A8
GA9-1	SINGLE LIGHTED EYESHIELD	A8
GA9S	PAIR EYESHIELDS W/ ON-OFF SWITCH	A8
GA11	PAIR EYESHIELDS	A8
DC10	DUST CONTROL UNIT	A8
BQ1-015-CC	1PH Brake, NEMA 1,110-125 VAC, 50/60Hz	
BQ1-015-CP	1PH Brake, Panel 110-125 VAC, 50/60 Hz	
BQ2-015-CC	1PH Brake,NEMA 1 208-230 VAC,50/60Hz	
BQ2-015-CP	1PH Brake, Panel 208-230 VAC, 50/60 Hz	



CUSTOMER IS RESPONSIBLE FOR DETERMINING THAT MOTOR PERFORMANCE IS SUITABLE IN THE APPLICATION.

REV. DESC: REMOVE FELT WASHER (HA1025A03)		
REV. LTR: G	VERSION: 01	TDR: 000000357606
FILE: \AAA\00035\654	REVISED: 08:21:15 10/06/2005	BY: ENJASF0
MTL: -		

**BALDOR ELECTRIC Co.**

STD 10" GRINDER (528C) W/EYESHIELD

