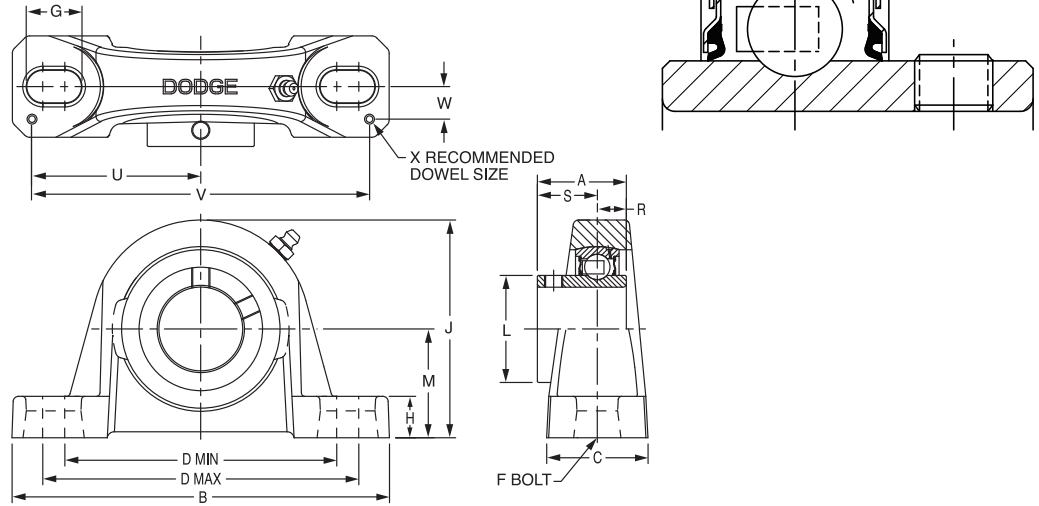


SELECTION/DIMENSIONS



Setscrew Ball Bearings SCMAH AIR HANDLING MEDIUM DUTY PILLOW BLOCKS



Lube Fitting
203 series - 1/4-28 tapered thread
204 series and larger - 1/8-27 NPT

Series	Shaft Size	Part No.	Description
206	1	126110	P2B-SCMAH-100
	25mm	073416	P2B-SCMAH-25M
207	1-3/16	126112	P2B-SCMAH-103
	1-1/4	123907	P2B-SCAH-104
208	30mm	064756	P2B-SCMAH-30M
	1-7/16	126835	P2B-SCMAH-107
209	35mm	062304	P2B-SCMAH-35M
	1-1/2	126836	P2B-SCMAH-108
210	1-5/8	@	P2B-SCAH-110L
	40mm	064136	P2B-SCMAH-40M
211	1-11/16	126837	P2B-SCMAH-111
	1-3/4	126838	P2B-SCMAH-112
212	45mm	062321	P2B-SCMAH-45M
	1-15/16	126839	P2B-SCMAH-115
214	2	126847	P2B-SCMAH-200
	50mm	056811	P2B-SCMAH-50M
215	2-3/16	126840	P2B-SCMAH-203
	2-1/4	@	P2B-SCMAH-204
216	55mm	049816	P2B-SCMAH-55M
	2-7/16	126841	P2B-SCMAH-207
218	2-1/2	064537	P2B-SCMAH-208
	65mm	075262	P2B-SCMAH-65M
219	2-11/16	126842	P2B-SCMAH-211
	70mm	049818	P2B-SCMAH-70M
220	2-15/16	126843	P2B-SCMAH-215
	3	074381	P2B-SCMAH-300
221	75mm	053719	P2B-SCM-75M
	3-7/16	126844	P2B-SCMAH-307
222	3-1/2	@	P2B-SCMAH-308
	85mm	@	P2B-SCMAH-85M

@ Assembled to order.

FEATURES/BENEFITS PAGE B4-3	HOW TO ORDER/NOMENCLATURE PAGE B4-5	SELECTION PAGE B4-6	ACCESSORIES PAGE B4-98
--------------------------------	--	------------------------	---------------------------

SELECTION/DIMENSIONS



Setscrew Ball Bearings SCMAH AIR HANDLING MEDIUM DUTY PILLOW BLOCKS

Bearing Reference Guide

ULTRA KLEEN

E-Z KLEEN

Extreme Duty

Setscrew Ball Bearing

GRIP TIGHT

D-LOK Ball Bearing

Series	Shaft Size	Weight lbs. kgs.	A	B	C	D		F	G	H	J	L	M	R	S	U	V	W	X
						Min.	Max.												
206	1	3.0	1.52	6.25	1.75	4.25	5.00	1/2	0.94	0.68	3.25	1.57	1.63	0.58	0.94	2.88	5.76	0.56	0.12
	25mm	1.3	38.6	158.8	44.5	108.0	127.0	M12	23.9	17.3	82.6	39.9	41.3	14.7	23.9	73.2	146.3	14.2	3.0
207	1-3/16	4.6	1.71	6.50	1.75	4.68	5.44	1/2	0.94	0.71	3.75	1.84	1.88	0.67	1.04	2.91	5.82	0.56	0.12
	1-1/4 30mm	4.2 2.0	43.4	165.1	44.5	118.9	138.2	M12	23.9	18.0	95.3	46.7	47.6	17.0	26.4	73.9	147.8	14.2	3.0
208	1-7/16	5.4	1.94	7.25	1.93	5.18	5.88	1/2	0.91	0.93	4.19	2.05	2.13	0.75	1.19	3.26	6.52	0.69	0.12
	35mm	2.3	49.3	184.2	49.0	131.6	149.4	M12	23.1	23.6	106.4	52.1	54.0	19.1	30.2	82.8	165.6	17.5	3.0
209	1-1/2	6.4	1.94	7.44	2.00	5.50	6.19	1/2	0.90	0.75	4.28	2.22	2.13	0.75	1.19	3.38	6.76	0.69	0.12
	1-5/8 40mm	6.3 2.7	49.3	189.0	50.8	139.7	157.2	M12	22.9	19.1	108.7	56.4	54.0	19.1	30.2	85.9	171.7	17.5	3.0
210	1-11/16	7.4	1.94	8.12	2.25	6.00	6.68	5/8	1.02	0.75	4.53	2.43	2.25	0.75	1.19	3.69	7.38	0.81	0.12
	1-3/4 45mm	7.3 3.2	49.3	206.2	57.2	152.4	169.7	M16	25.9	19.1	115.1	61.7	57.2	19.1	30.2	93.7	187.5	20.6	3.0
211	1-15/16	9.2	2.22	8.88	2.30	6.38	7.44	5/8	1.21	0.88	4.96	2.71	2.50	0.87	1.35	3.94	7.88	0.81	0.12
	2 50mm	9.0 3.9	56.4	225.6	58.4	162.1	189.0	M16	30.7	22.4	126.0	68.8	63.5	22.1	34.3	100.1	200.2	20.6	3.0
212	2-3/16	11.0	2.31	9.50	2.37	6.88	7.94	5/8	1.21	0.88	5.40	2.97	2.75	0.90	1.41	4.25	8.50	0.88	0.12
	2-1/4 55mm	10.8 4.7	58.7	241.3	60.2	174.8	201.7	M16	30.7	22.4	137.2	75.4	69.9	22.9	35.8	108.0	215.9	22.4	3.0
214	2-7/16	15.7	2.54	10.75	2.69	7.50	8.50	3/4	1.32	0.94	6.09	3.31	3.00	1.06	1.48	4.88	9.76	0.94	0.12
	2-1/2 65mm	15.5 6.7	64.5	273.1	68.3	190.5	215.9	M18	33.5	23.9	154.7	84.1	76.2	26.9	37.6	124.0	247.9	23.9	3.0
215	2-11/16	21.0	2.33	11.75	2.88	8.50	9.50	7/8	1.44	1.00	6.75	3.62	3.50	0.86	1.47	5.48	10.96	1.04	0.12
	70mm	9.0	59.2	298.5	73.2	215.9	241.3	M22	36.6	25.4	171.5	91.9	88.9	21.8	37.3	139.2	278.4	26.4	3.0
216	2-15/16	21.3	2.38	11.75	3.00	8.50	9.50	7/8	1.44	1.25	6.97	3.83	3.50	0.88	1.50	5.50	11.00	1.09	0.12
	3 75mm	21.1 9.1	60.5	298.5	76.2	215.9	241.3	M22	36.6	31.8	177.0	97.3	88.9	22.4	38.1	139.7	279.4	27.7	3.0
218	3-7/16	31.8	2.56	14.0	3.38	10.32	11.62	7/8	1.59	1.31	8.00	4.35	4.00	0.96	1.60	6.60	13.20	1.19	0.12
	3-1/2 85mm	31.3 13.6	65.0	355.6	85.9	262.1	295.1	M22	40.4	33.3	203.2	110.5	101.6	24.4	40.6	167.6	335.3	30.2	3.0

FEATURES/BENEFITS PAGE B4-3	HOW TO ORDER/NOMENCLATURE PAGE B4-5	SELECTION PAGE B4-6	ACCESSORIES PAGE B4-98
--------------------------------	--	------------------------	---------------------------