



Breakers and switches

Enclosed switches
Heavy duty safety switches
Fusible and non-fusible
30...1200 Amperes

Heavy duty fusible and non-fusible safety switches 30...1200 Amperes

Features, product overview

Features	4
Enclosed heavy duty fusible 3-pole safety switches	6
Enclosed heavy duty non-fusible 3-pole safety switches	8
Product overview	10

Technical data

Enclosed heavy duty fusible safety switches	12
Enclosed heavy duty non-fusible safety switches	14

Catalog numbering system

Heavy duty safety switches	16
----------------------------	----

Ordering information

Heavy duty fusible safety switches	
NEMA 1, 12, 3R, 4X	17
Heavy duty non-fusible safety switches	
NEMA 1, 12, 3R, 4X	20

Accessories

Selection overview	23
--------------------	----

Ordering information, field-installable accessories

Neutral assembly, auxiliary contact blocks	24
Hubs, rejection members, fuse adapter kits	25
Terminal shrouds	26

Replacement parts

Selection overview	27
--------------------	----

Ordering information, replacement parts

Switch-disconnects	28
Fuse bases	29
Handle kit, door interlock mechanism	30
Line side lug assembly, load side lug assembly	31

Dimensional drawings

Fusible safety switches, NEMA 1, 12, 3R, 4X	32
Fusible safety switches, cable outlets / knockouts	35
Non-fusible safety switches, NEMA 1, 12, 3R, 4X	36
Non-fusible safety switches, cable outlets / knockouts	39

Index

List of products with page number in alphabetical order	40
---	----

New range of heavy duty safety switches

Safe, modern, high performance range



The next generation of heavy duty safety switches offer a complete range of fusible and non-fusible solutions from 30 to 1200 Amperes. Our new range meets all relevant standards UL98, UL50, UL50E, NEMA KS-1 and CSA.

Designed for heavy duty applications

ABB's safety switches are designed for applications requiring heavy duty performance and are suitable for use as service equipment where applicable. Our products are well suited for the food & beverage industry, HVAC, water/wastewater treatment facilities, commercial buildings and much more.

Choose safety and high performance – choose ABB

Our next generation engineered heavy duty safety switches are designed to live up to our customers needs.

High performance

200 kA short-circuit withstand capability across the whole range makes EOH and EOHU suitable for the most demanding applications.

Increased safety

Visible double break contacts through windows in the modern touch safe switch insert.

Easy installation

Spacious interior and rounded edges make wiring safe, easy and fast. Gasket included in all NEMA classes.

Savings in maintenance

The modular switch insert and related components can easily be replaced creating savings in both downtime and money.

Complete range of fusible and non-fusible HD safety switches from 30 to 1200 Amperes

The robust enclosures are made in steel, stainless steel or acid proof steel sheet covering all NEMA classes up to 4X.

The next generation of heavy duty safety switches offer a complete range of fusible and non-fusible solutions from 30 to 1200 Amperes. Our new range meets all relevant standards UL98, UL50, UL50E, NEMA KS-1 and CSA.



Enclosed heavy duty fusible 3-pole safety switches

From 30 to 1200 Amperes



NEMA 1, Steel sheet enclosed			EOH361K	EOH362K	EOH363K	
General purpose current rating			[A]	30	60	100
Max. horse power rating (Three phase), when time delay fuses are used	240 V	[HP]	7.5	15	30	
	480 V	[HP]	15	30	60	
	600 V	[HP]	20	50	75	



NEMA 12, Steel sheet enclosed			EOH361JK	EOH362JK	EOH363JK	
NEMA 3R, Steel sheet enclosed			EOH361RK	EOH362RK	EOH363RK	
General purpose current rating			[A]	30	60	100
Max. horse power rating (Three phase), when time delay fuses are used	240 V	[HP]	7.5	15	30	
	480 V	[HP]	15	30	60	
	600 V	[HP]	20	50	75	



NEMA 4X, Stainless steel sheet enclosed, Grade 304			EOH361S	EOH362S	EOH363S	
NEMA 4X, Stainless steel sheet enclosed, Grade 316			EOH361SS	EOH362SS	EOH363SS	
General purpose current rating			[A]	30	60	100
Max. horse power rating (Three phase), when time delay fuses are used	240 V	[HP]	7.5	15	30	
	480 V	[HP]	15	30	60	
	600 V	[HP]	20	50	75	



EOH364K

EOH365K

EOH366K

EOH367

EOH368

200

400

600

800

1200

60

125

200

250

250

125

250

400

500

500

150

350

500

500

500



EOH364JK

EOH365JK

EOH366JK

EOH367J

EOH368J

EOH364RK

EOH365RK

EOH366RK

EOH367R

EOH368R

200

400

600

800

1200

60

125

200

250

250

125

250

400

500

500

150

350

500

500

500



EOH364S

EOH365S

EOH366S

EOH367S

EOH368S

EOH364SS

EOH365SS

EOH366SS

EOH367SS

EOH368SS

200

400

600

800

1200

60

125

200

250

250

125

250

400

500

500

150

350

500

500

500

Enclosed heavy duty non-fusible 3-pole safety switches

From 30 to 1200 Amperes



NEMA 1, Steel sheet enclosed			EOHU361K	EOHU362K	EOHU363K
General purpose current rating		[A]	30	60	100
Max. horse power rating (Three phase), when time delay fuses are used	240 V	[HP]	10	20	40
	480 V	[HP]	20	50	75
	600 V	[HP]	30	60	100



NEMA 12, Steel sheet enclosed			EOHU361JK	EOHU362JK	EOHU363JK
NEMA 3R, Steel sheet enclosed			EOHU361RK	EOHU362RK	EOHU363RK
General purpose current rating		[A]	30	60	100
Max. horse power rating (Three phase), when time delay fuses are used	240 V	[HP]	10	20	40
	480 V	[HP]	20	50	75
	600 V	[HP]	30	60	100



NEMA 4X, Stainless steel sheet enclosed, Grade 304			EOHU361S	EOHU362S	EOHU363S
NEMA 4X, Stainless steel sheet enclosed, Grade 316			EOHU361SS	EOHU362SS	EOHU363SS
General purpose current rating		[A]	30	60	100
Max. horse power rating (Three phase), when time delay fuses are used	240 V	[HP]	10	20	40
	480 V	[HP]	20	50	75
	600 V	[HP]	30	60	100



EOHU364K

EOHU365K

EOHU366K

EOHU367

EOHU368

200

400

600

800

1200

60

125

200

250

250

125

250

400

500

500

150

350

500

500

500



EOHU364JK

EOHU365JK

EOHU366JK

EOHU367J

EOHU368J

EOHU364RK

EOHU365RK

EOHU366RK

EOHU367R

EOHU368R

200

400

600

800

1200

60

125

200

250

250

125

250

400

500

500

150

350

500

500

500



EOHU364S

EOHU365S

EOHU366S

EOHU367S

EOHU368S

EOHU364SS

EOHU365SS

EOHU366SS

EOHU367SS

EOHU368SS

200

400

600

800

1200

60

125

200

250

250

125

250

400

500

500

150

350

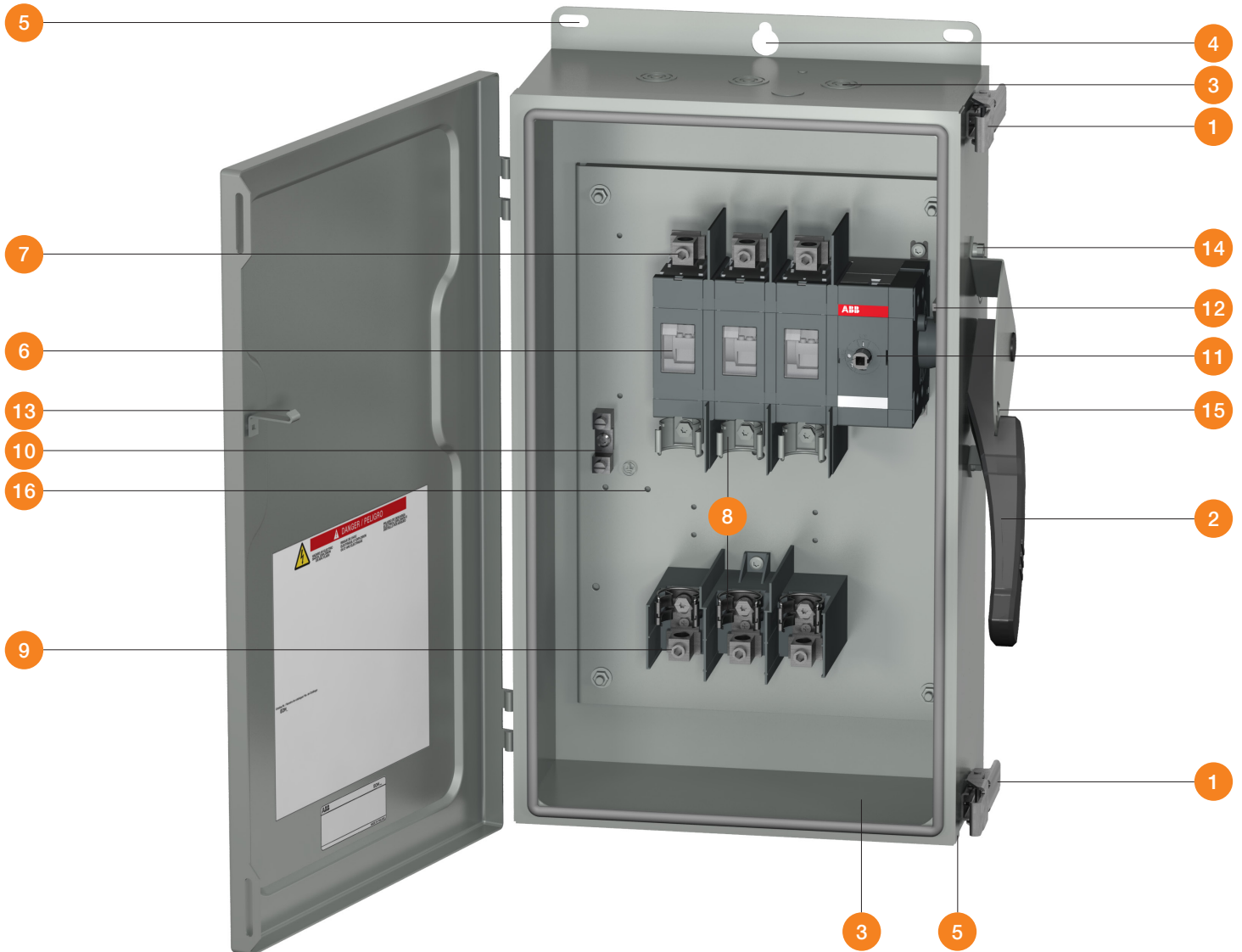
500

500

500

Product overview

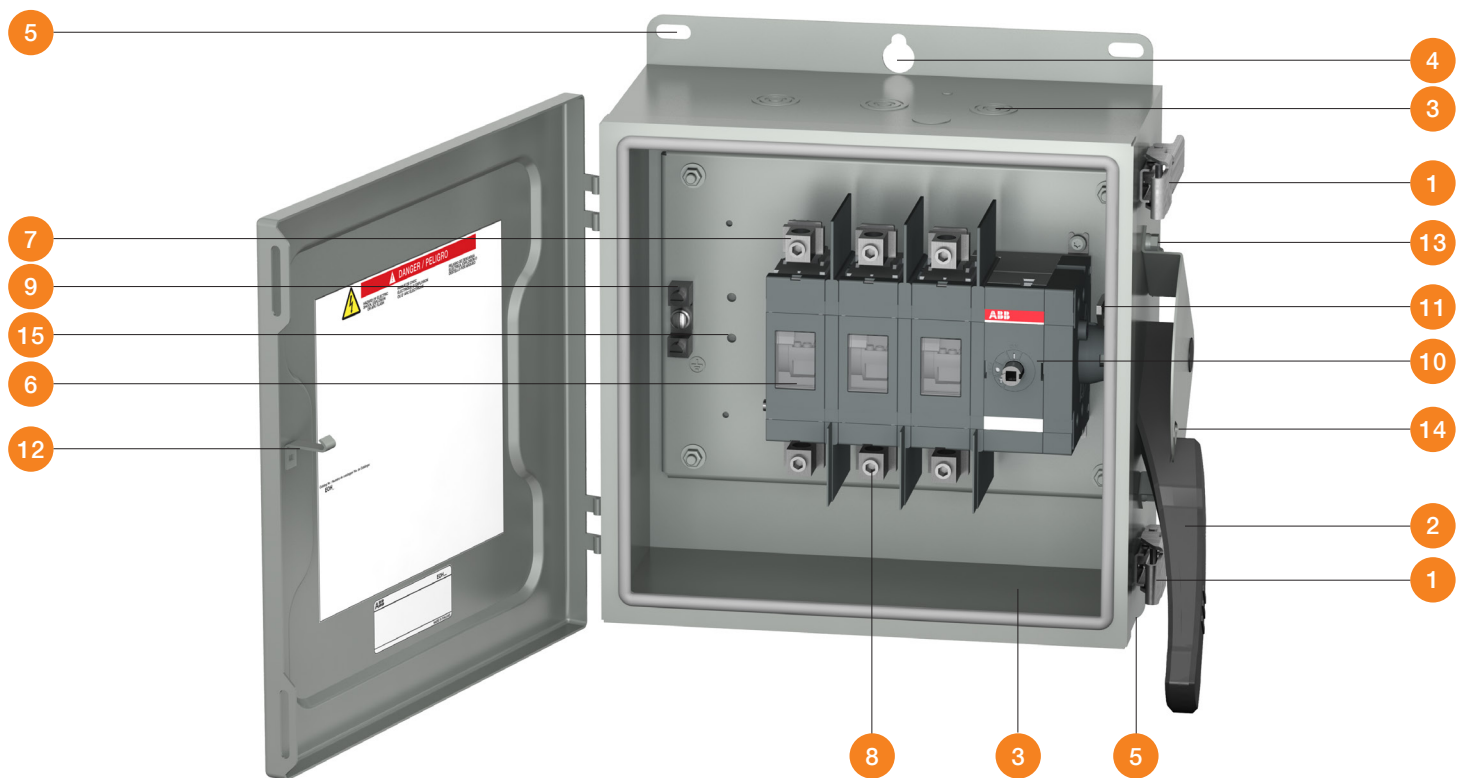
Enclosed heavy duty fusible 3-pole safety switches



1. Door latches, provision for padlocking
2. Handle
3. Knockouts
4. Keyslot mounting hole
5. Mounting holes (4 pcs)
6. 3-pole switch, double breaking contacts with viewing windows
7. Line side (switch terminals) terminal lugs
8. Fuse base
9. Load side (fuse base terminals) terminal lugs
10. Ground bus (2 lugs)
11. Operating mechanism, inside place for auxiliary contacts (optional)
12. Door interlock mechanism
13. Locking hook for door interlock mechanism
14. Door interlock bypass shaft
(Only qualified personnel should perform this procedure)
15. Hole for padlocking the handle (3 padlocks)
16. Place for neutral assembly (optional)

Product overview

Enclosed heavy duty non-fusible 3-pole safety switches



1. Door latches, provision for padlocking
2. Handle
3. Knockouts
4. Keyslot mounting hole
5. Mounting holes (4 pcs)
6. 3-pole switch, double breaking contacts with viewing windows
7. Line side terminal lugs
8. Load side terminal lugs
9. Ground bus (2 lugs)
10. Operating mechanism, inside place for auxiliary contacts (optional)
11. Door interlock mechanism
12. Locking hook for door interlock mechanism
13. Door interlock bypass shaft
(Only qualified personnel should perform this procedure)
14. Hole for padlocking the handle (3 padlocks)
15. Place for neutral assembly (optional)

Technical data

Enclosed heavy duty fusible safety switches

Technical data according to UL98, UL50, UL4248-1, NEMA KS1 and CSA standards

				Catalog number	
UL file: E314773, CSA: LR58077				EOH_61 30	EOH_62 60
General purpose current rating		600 V ac / 250 V dc	A	30	60
Max. horse power rating	Single phase	240 V ac	HP	3	10
		480 V ac	HP	7.5	20
		600 V ac	HP	10	25
Max. horse power rating	Three phase	240 V ac	HP	7.5	15
		480 V ac	HP	15	30
		600 V ac	HP	20	50
Max. horse power rating		125 V dc / 250 V dc	HP	3 / 5	5 / 10
Standard horse power rating	Single phase	240 V ac	HP	1.5	3
		480 V ac	HP	3	5
		600 V ac	HP	3	10
Standard horse power rating	Three phase	240 V ac	HP	3	7.5
		480 V ac	HP	5	15
		600 V ac	HP	7.5	15
Max. motor FLA current	Single phase	240 V ac	A	17	50
		480 V ac	A	21	44
		600 V ac	A	20	44
Max. motor FLA current	Three phase	240 V ac	A	22	42
		480 V ac	A	21	40
		600 V ac	A	22	52
Short circuit rating	Class R fuses	480 V ac	kA	200	200
	Class J fuses	480 V ac	kA	200	200
	Class T fuses	480 V ac	kA	200	200
	Class L fuses	480 V ac	kA		
Short circuit rating	Class R fuses	600 V ac	kA	200	200
	Class J fuses	600 V ac	kA	200	200
	Class T fuses	600 V ac	kA	200	200
	Class L fuses	600 V ac	kA		
Maximum fuse size			A	30	60
Standard fuse clips				R, H, K	R, H, K
Fuse conversion kits				J	J, T
Electrical endurance	Power factor	0.75...0.8	op. cycles	8 000	8 000
Mechanical endurance			operations	15000	15000
Cabling					
Terminal lug	Line terminals			OZXA-100	OZXA-100
Torque: wire tightening	Line terminals	For Cu and Al cables	lbs.in.	35 (#14 - 10)	45 (#6 - 4)
Torque: wire tightening	Line terminals	For Cu and Al cables	lbs.in.	40 (#8), 45 (#6)	50 (#2)
Lug mounting torque	Line terminals		lbs.in.	132	132
Wire range	Line terminals			#14 - 6	#14 - 2
Terminal lug	Load terminals			OZXA-100	OZXA-100
Torque: wire tightening	Load terminals	For Cu and Al cables	lbs.in.	35 (#14 - 10)	45 (#6 - 4)
Torque: wire tightening	Load terminals	For Cu and Al cables	lbs.in.	40 (#8), 45 (#6)	50 (#2)
Lug mounting torque	Load terminals		lbs.in.	132	132
Wire range	Load terminals			#14 - 6	#14 - 2

¹⁾ 600V 200kA rating available. See page 16 for additional information.

EOH_63 100	EOH_64 200	EOH_65 400	EOH_66 600	EOH_67 800	EOH_68 1200
100	200	400	600	800	1200
15	15				
30	50				
40	50				
30	60	125	200	250	250
60	125	250	400	500	500
75	150	350	500	500	500
5 / 20	- / 40	- / 50	- / 50	- / 50	- / 50
7.5	15				
10	25				
15	30				
15	25	50	75	100	100
25	50	100	150	200	200
30	60	125	200	250	250
68	68				
68	108				
70	86				
80	164	312	480	600	600
77	156	302	477	590	590
77	144	336	472	472	472
200	200	200	200		
200	200	200	200		
200	200	200	200		
				200	200
200	200	100 ¹⁾	200		
200	200	200	200		
200	200	200	200		
				200	200
100	200	400	600	800	1200
R, H, K	R, H, K	R, H, K	R, H, K	L	L
J, T	J, T	J, T	J		
7 000	6 000	1500	1200	600	600
14000	12000	7500	6000	3500	2500
OZXA-100	OZXA-400	OZXA-800	OZXA-800	OZXA-1200	OZXA-1200E
50 (#3 - 2/0)	375	500	500	500	620
50 (#3 - 2/0)	375	500	500	500	620
132	228	480	480	443	319
#14 - 2/0	#2 - 250 kcmil	(2) #2 - 500 kcmil	(2) #2 - 600 kcmil	(4) #2 - 500 kcmil	(6) #2 - 500 kcmil
OZXA-100	OZXA-400	OZXA-800E	OZXA-800	OZXA-1200	OZXA-1200
50 (#3 - 2/0)	375	500	500	500	500
50 (#3 - 2/0)	375	500	500	500	500
132	72	480	480	443	319
#14 - 2/0	#2 - 250 kcmil	(2) #2 - 500 kcmil	(2) #2 - 600 kcmil	(4) #2 - 500 kcmil	(4) #2 - 500 kcmil

Technical data

Enclosed heavy duty non-fusible safety switches

Technical data according to UL98, UL50, NEMA KS1 and CSA standards

				Catalog number	
UL file: E314773, CSA: LR58077				E0HU_61	E0HU_62
				30	60
General purpose current rating		600 V ac / 250 V dc	A	30	60
Max. horse power rating	Single phase	240 V ac	HP	5	10
		480 V ac	HP	10	25
		600 V ac	HP	20	30
Max. horse power rating	Three phase	240 V ac	HP	10	20
		480 V ac	HP	20	50
		600 V ac	HP	30	60
Max. horse power rating		125 V dc / 250 V dc	HP	3 / 5	5 / 10
Max. motor FLA current	Single phase	240 V ac	A	28	50
		480 V ac	A	26	55
		600 V ac	A	25	54
Max. motor FLA current	Three phase	240 V ac	A	28	54
		480 V ac	A	27	65
		600 V ac	A	32	62
Short circuit rating	Class R fuses	480 V ac	kA	200	200
	Class J fuses	480 V ac	kA	200	200
	Class T fuses	480 V ac	kA	200	200
	Class L fuses	480 V ac	kA		
Short circuit rating	Class R fuses	600 V ac	kA	200	200
	Class J fuses	600 V ac	kA	200	200
	Class T fuses	600 V ac	kA	200	200
	Class L fuses	600 V ac	kA		
Short circuit rating	Class R fuses	250 V dc	kA	100	100
	Class J fuses	250 V dc	kA	100	100
	Class T fuses	250 V dc	kA	100	100
	Class L fuses	250 V dc	kA		
Min. electrical endurance	Power factor	0.75...0.8	op. cycles	8 000	8 000
Mechanical endurance			operations	20 000	20 000

Cabling

Terminal lug	Line terminals			OZXA-100	OZXA-100
Torque: wire tightening	Line terminals	For Cu and Al cables	lbs.in.	35 (#14 - 10)	35 (#14 - 10), 40 (#8)
Torque: wire tightening	Line terminals	For Cu and Al cables	lbs.in.	40 (#8)	45 (#6 - 4), 50 (#3)
Lug mounting torque	Line terminals		lbs.in.	132	132
Wire range	Line terminals			#14 - 8	#14 - 3
Terminal lug	Load terminals			OZXA-100	OZXA-100
Torque: wire tightening	Load terminals	For Cu and Al cables	lbs.in.	35 (#14 - 10)	35 (#14 - 10), 40 (#8)
Torque: wire tightening	Load terminals	For Cu and Al cables	lbs.in.	40 (#8)	45 (#6 - 4), 50 (#3 - 1)
Lug mounting torque	Load terminals		lbs.in.	132	132
Wire range	Load terminals			#14 - 8	#14 - 1

¹⁾ 600V 200kA rating available. See page 16 for additional information.

EOHU_63 100	EOHU_64 200	EOHU_65 400	EOHU_66 600	EOHU_67 800	EOHU_68 1200
100	200	400	600	800	1200
20	40				
40	50				
50	50				
40	60	125	200	250	250
75	125	250	400	500	500
100	150	350	500	500	500
10 / 25	- / 40	- / 50	- / 50	- / 50	- / 50
88	176				
88	108				
86	86				
104	192	360	480	600	600
96	156	302	477	590	590
99	144	336	472	472	472
200	200	200	200		
200	200	200	200		
200	200	200	200	200	200
200	200	100 ¹⁾	200		
200	200	200	200		
200	200	200	200	200	200
100	100	100	100		
100	100	100	100		
100	100	100		100	100
7 000	6 000	6 000	1200	600	600
20 000	20 000	16 000	10 000	6 000	6 000
OZXA-100	OZXA-400	OZXA-800	OZXA-800	OZXA-1200	OZXA-1200E
50 (#3-1)	375	500	500	500	620
50 (#3-1)	375	500	500	500	620
132	228	480	480	443	319
#14 - 1	#2 - 250 kcmil	(2) #2 - 500 kcmil	(2) #2 - 600 kcmil	(4) #2 - 500 kcmil	(6) #2 - 500 kcmil
OZXA-100	OZXA-400	OZXA-800	OZXA-800	OZXA-1200	OZXA-1200E
50 (#3-1)	375	500	500	500	620
50 (#3-1)	375	500	500	500	620
132	228	480	480	443	319
#14 - 1	#2 - 250 kcmil	(2) #2 - 500 kcmil	(2) #2 - 600 kcmil	(4) #2 - 500 kcmil	(6) #2 - 500 kcmil

Catalog numbering system

Heavy duty safety switches

Explanation of the catalog number

EO	H	U	3	6	1	N	R	W	K	R6	- 0
1	2	3	4	5	6	7	8	9	10	11	12

1	Brand
EO:	ABB brand
2	Duty
H:	Heavy duty
3	Fusible or non-fusible
Blank:	Fusible
U:	Non-fusible
4	Number of poles
3:	Three poles
5	Maximum voltage
6:	600V
6	Ampere rating
1:	30A
2:	60A
3:	100A
4:	200A
5:	400A
6:	600A
7:	800A
8:	1200A
7	Neutral
Blank:	No neutral
N:	Neutral included**
8	Enclosure NEMA type
Blank:	TYPE 1: Indoor, painted steel
J:	TYPE 12: Indoor, painted steel
R:	TYPE 3R: Indoor/outdoor, painted steel
S:	TYPE 4X: Indoor/outdoor, stainless steel grade 304**
SS:	TYPE 4X: Indoor/outdoor, stainless steel grade 316**
9	Special constructions and applications
W:	Viewing window**
10	Cable entries
Blank:	Without knockouts
K:	With concentric knockouts
11	Special ratings
Blank:	Standard ratings
R6:	600V/200kA with RK-fuses (400A switch only)

12	Auxiliary contacts
Blank	No auxiliary contacts
without	
dash:	
- 0:	One normally closed 1nc
- 1:	One normally open 1no

** Coming soon

Ordering information

Steel sheet enclosed heavy duty fusible safety switches



EOH361K



EOH362K

Side operated fusible safety switch, black handle, NEMA 1

Ground bus included. Cabling accessories, fuses and auxiliary contacts are to be ordered separately. Colour: ANSI 61 (light grey). Standards: UL98, UL50, UL4248-1, NEMA KS1, CSA. Units/catalog number = 1 piece. Note: 30A – 600A fusible switches are supplied as standard with fuse clips spaced to accept class R fuses. To prevent installation of any other fuse classes, rejection pins/members are available as optional accessories. To convert for class J or class T fuses, move the load side fuse bases/clips to the alternate holes indicated inside the enclosure. Note that 600A class J and all class T fuses also require an accessory adapter kit. See page 25 for all noted accessories.



EOH363K



EOH364K

General purpose current rating [A]	Max. Horse power rating [HP]			Standard fuse link	Auxiliary contacts max.	Cable outlets, top and bottom	Catalog number	Weight/unit [kg]
	240 V	480 V	600 V					
NEMA 1, indoor, modest amounts of falling dirt								
30	7,5	15	20	R	2no+2nc	Knockouts	EOH361K	10
60	15	30	50	R	2no+2nc	Knockouts	EOH362K	10
100	30	60	75	R	2no+2nc	Knockouts	EOH363K	14
200	60	125	150	R	4no+4nc	Knockouts	EOH364K	24
400	125	250	350	R	4no+4nc	Knockouts	EOH365K	48
600	200	400	500	R	4no+4nc	Knockouts	EOH366K	61
800	250	500	500	L	2no+2nc	Blank	EOH367	59
1200	250	500	500	L	2no+2nc	Blank	EOH368	145



EOH365K



EOH366K

Cable outlets, knock-outs

Catalog number	Cable entry/exit, knockouts / top and bottom [ø inch]	Cable entry/exit, knockouts / top and bottom [ø mm]
EOH361K	3×(ø1.12+ø0.76+ø0.5+ø0.32)+ø0.25	3×(ø28.2+ø19.1+ø12.7+ø8.0)+ø6.4
EOH362K	3×(ø1.4+ø1.12+ø0.76+ø0.5)+ø0.25+ø0.8	3×(ø35.2+ø28.2+ø19.1+ø12.7)+ø6.4+ø20.0
EOH363K	2×(ø1.4+ø1.12+ø0.76+ø0.5)+ 1×(ø2.03+ø1.4+ø1.125+ø0.89+ø0.64)+ø0.25+ø0.8	2×(ø35.2+ø28.2+ø19.1+ø12.7)+ 1×(ø50.8+ø35.2+ø28.2+ø22.4+ø16.0)+ø6.4+ø20.0
EOH364K	3×(ø2.5+ø2.03+ø1.4+ø1.125+ø0.89+ø0.64)+ø0.25+ø0.8	3×(ø62.5+ø50.8+ø35.2+ø28.2+ø22.4+ø16.0)+ø6.4+ø20.0
EOH365K	3×(ø3.68+ø3.06+ø2.5+ø2.03+ø1.77)+2×(ø0.76+ø0.5)	3×(ø92.0+ø76.5+ø62.5+ø50.8+ø44.4)+2×(ø19.1+ø12.7)
EOH366K	4×(ø3.68+ø3.06+ø2.5+ø2.03+ø1.77)+2×(ø0.76+ø0.5)	4×(ø92.0+ø76.5+ø62.5+ø50.8+ø44.4)+2×(ø19.1+ø12.7)
EOH367	Blank	Blank
EOH368	Blank	Blank



EOH367



EOH368

Ordering information

Steel sheet enclosed heavy duty fusible safety switches



EOH361JK/RK



EOH362JK/RK



EOH363JK/RK



EOH364JK/RK



EOH365JK/RK



EOH366JK/RK



EOH367J/R



EOH368J/R

Side operated fusible safety switch, black handle, NEMA 12 and 3R

Ground bus included. Cabling accessories, fuses and auxiliary contacts are to be ordered separately. Colour: ANSI 61 (light grey). Standards: UL98, UL50, UL4248-1, NEMA KS1, CSA. Units/catalog number = 1 piece. Note: 30A – 600A fusible switches are supplied as standard with fuse clips spaced to accept class R fuses. To prevent installation of any other fuse classes, rejection pins/members are available as optional accessories. To convert for class J or class T fuses, move the load side fuse bases/clips to the alternate holes indicated inside the enclosure. Note that 600A class J and all class T fuses also require an accessory adapter kit. See page 25 for all noted accessories.

General purpose current rating [A]	Max. Horse power rating [HP] Three phase			Standard fuse link	Auxiliary contacts max.	Cable outlets, top and bottom	Catalog number	Weight/unit [kg]
	240 V	480 V	600 V					
NEMA 12, indoor, dust-tight/watertight/driptight, circulating dust, falling dirt, dripping non-corrosive liquids								
30	7,5	15	20	R	2no+2nc	Knockouts	EOH361JK	12
60	15	30	50	R	2no+2nc	Knockouts	EOH362JK	13
100	30	60	75	R	2no+2nc	Knockouts	EOH363JK	16
200	60	125	150	R	4no+4nc	Knockouts	EOH364JK	26
400	125	250	350	R	4no+4nc	Knockouts	EOH365JK	54
600	200	400	500	R	4no+4nc	Knockouts	EOH366JK	68
800	250	500	500	L	2no+2nc	Blank	EOH367J	67
1200	250	500	500	L	2no+2nc	Blank	EOH368J	145
NEMA 3R, outdoor, weather-proof/rainproof, windblown rain, sleet, ice								
30	7,5	15	20	R	2no+2nc	Knockouts	EOH361RK	12
60	15	30	50	R	2no+2nc	Knockouts	EOH362RK	13
100	30	60	75	R	2no+2nc	Knockouts	EOH363RK	16
200	60	125	150	R	4no+4nc	Knockouts	EOH364RK	26
400	125	250	350	R	4no+4nc	Knockouts	EOH365RK	54
600	200	400	500	R	4no+4nc	Knockouts	EOH366RK	68
800	250	500	500	L	2no+2nc	Blank	EOH367R	67
1200	250	500	500	L	2no+2nc	Blank	EOH368R	145

Cable outlets, knock-outs

Catalog number	Cable entry/exit, knockouts / top and bottom [ø inch]	Cable entry/exit, knockouts / top and bottom [ø mm]
EOH361_K	3×(ø1.12+ø0.76+ø0.5+ø0.32)+ø0.25	3×(ø28.2+ø19.1+ø12.7+ø8.0)+ø6.4
EOH362_K	3×(ø1.4+ø1.12+ø0.76+ø0.5)+ø0.25+ø0.8	3×(ø35.2+ø28.2+ø19.1+ø12.7)+ø6.4+ø20.0
EOH363_K	2×(ø1.4+ø1.12+ø0.76+ø0.5)+ 1×(ø2.03+ø1.4+ø1.125+ø0.89+ø0.64)+ø0.25+ø0.8	2×(ø35.2+ø28.2+ø19.1+ø12.7)+ 1×(ø50.8+ø35.2+ø28.2+ø22.4+ø16.0)+ø6.4+ø20.0
EOH364_K	3×(ø2.5+ø2.03+ø1.4+ø1.125+ø0.89+ø0.64)+ø0.25+ø0.8	3×(ø62.5+ø50.8+ø35.2+ø28.2+ø22.4+ø16.0)+ø6.4+ø20.0
EOH365_K	3×(ø3.68+ø3.06+ø2.5+ø2.03+ø1.77)+2×(ø0.76+ø0.5)	3×(ø92.0+ø76.5+ø62.5+ø50.8+ø44.4)+2×(ø19.1+ø12.7)
EOH366_K	4×(ø3.68+ø3.06+ø2.5+ø2.03+ø1.77)+2×(ø0.76+ø0.5)	4×(ø92.0+ø76.5+ø62.5+ø50.8+ø44.4)+2×(ø19.1+ø12.7)
EOH367_	Blank	Blank
EOH368_	Blank	Blank

Ordering information

Stainless steel enclosed heavy duty fusible safety switches



EOH361S/SS



EOH362S/SS



EOH363S/SS



EOH364S/SS



EOH365S/SS



EOH366S/SS



EOH367S/SS



EOH368S/SS

Side operated fusible safety switch, black handle, NEMA 4X, Grade 304

Ground bus included. Cabling accessories, fuses and auxiliary contacts are to be ordered separately. Colour: Grade 304 stainless steel sheet enclosure. Standards: UL98, UL50, UL4248-1, NEMA KS1, CSA. Cable outlets / top and bottom: Blank. Units/catalog number = 1 piece. Note: 30A – 600A fusible switches are supplied as standard with fuse clips spaced to accept class R fuses. To prevent installation of any other fuse classes, rejection pins/members are available as optional accessories. To convert for class J or class T fuses, move the load side fuse bases/clips to the alternate holes indicated inside the enclosure. Note that 600A class J and all class T fuses also require an accessory adapter kit. See page 25 for all noted accessories.

General purpose current rating [A]	Max. Horse power rating [HP] Three phase			Standard fuse link	Auxiliary contacts max.	Cable outlets, top and bottom	Catalog number	Weight/unit [kg]
	240 V	480 V	600 V					
NEMA 4X, outdoor, watertight/raintight, splashing and hose-directed water, windblown dust, ice, corrosion resistance								
30	7,5	15	20	R	2no+2nc	Blank	EOH361S	12
60	15	30	50	R	2no+2nc	Blank	EOH362S	13
100	30	60	75	R	2no+2nc	Blank	EOH363S	16
200	60	125	150	R	4no+4nc	Blank	EOH364S	26
400	125	250	350	R	4no+4nc	Blank	EOH365S	54
600	200	400	500	R	4no+4nc	Blank	EOH366S	68
800	250	500	500	L	2no+2nc	Blank	EOH367S	67
1200	250	500	500	L	2no+2nc	Blank	EOH368S	145

Side operated fusible safety switch, black handle, NEMA 4X, Grade 316

Ground bus included. Cabling accessories, fuses and auxiliary contacts are to be ordered separately. Colour: Grade 316 stainless steel sheet enclosure. Standards: UL98, UL50, UL4248-1, NEMA KS1, CSA. Cable outlets / top and bottom: Blank. Units/catalog number = 1 piece. Note: 30A – 600A fusible switches are supplied as standard with fuse clips spaced to accept class R fuses. To prevent installation of any other fuse classes, rejection pins/members are available as optional accessories. To convert for class J or class T fuses, move the load side fuse bases/clips to the alternate holes indicated inside the enclosure. Note that 600A class J and all class T fuses also require an accessory adapter kit. See page 25 for all noted accessories.

General purpose current rating [A]	Max. Horse power rating [HP] Three phase			Standard fuse link	Auxiliary contacts max.	Cable outlets, top and bottom	Catalog number	Weight/unit [kg]
	240 V	480 V	600 V					
NEMA 4X, outdoor, watertight/raintight, splashing and hose-directed water, windblown dust, ice, corrosion resistance								
30	7,5	15	20	R	2no+2nc	Blank	EOH361SS	12
60	15	30	50	R	2no+2nc	Blank	EOH362SS	13
100	30	60	75	R	2no+2nc	Blank	EOH363SS	16
200	60	125	150	R	4no+4nc	Blank	EOH364SS	26
400	125	250	350	R	4no+4nc	Blank	EOH365SS	54
600	200	400	500	R	4no+4nc	Blank	EOH366SS	68
800	250	500	500	L	2no+2nc	Blank	EOH367SS	67
1200	250	500	500	L	2no+2nc	Blank	EOH368SS	145

Ordering information

Steel sheet enclosed heavy duty non-fusible safety switches



EOHU361K



EOHU362K

Side operated non-fusible safety switch, black handle, NEMA 1

Ground bus included. Cabling accessories, fuses and auxiliary contacts are to be ordered separately. Colour: ANSI 61 (light grey). Standards: UL98, UL50, NEMA KS1, CSA.

Units/catalog number = 1 piece.



EOHU363K



EOHU364K



EOHU365K



EOHU366K



EOHU367



EOHU368

General purpose current rating [A]	Max. Horse power rating [HP] Three phase			Auxiliary contacts max.	Cable outlets, top and bottom	Catalog number	Weight/unit [kg]
	240 V	480 V	600 V				
NEMA 1, indoor, modest amounts of falling dirt							
30	10	20	30	2no+2nc	Knockouts	EOHU361K	7
60	20	50	60	2no+2nc	Knockouts	EOHU362K	7
100	40	75	100	2no+2nc	Knockouts	EOHU363K	8
200	60	125	150	4no+4nc	Knockouts	EOHU364K	16
400	125	250	350	4no+4nc	Knockouts	EOHU365K	33
600	200	400	500	4no+4nc	Knockouts	EOHU366K	47
800	250	500	500	2no+2nc	Blank	EOHU367	56
1200	250	500	500	2no+2nc	Blank	EOHU368	135

Cable outlets, knock-outs

Catalog number	Cable entry/exit, knockouts / top and bottom [ø inch]	Cable entry/exit, knockouts / top and bottom [ø mm]
EOH361K	3×(ø1+ø0.75+ø0.5+ø0.315)+ø0.25+2×(ø0.19)	3×(ø25.4+ø19.0+ø12.7+ø8.0)+ø6.4+2×(ø4.9)
EOH362K	3×(ø1.25+ø1+ø0.75+ø0.5+ø0.315)+ø0.25+ø0.8	3×(ø31.8+ø25.4+ø19.0+ø12.7+ø8)+ø6.4+ø20.4
EOH363K	2×(ø1.5+ø1.25+ø1+ø0.75+ø0.5)+ 1×(ø2+ø1.5+ø1.25+ø1+ø0.63)+ø0.25+ø0.8	2×(ø38.1+ø31.8+ø25.4+ø19.0+ø12.0)+ 1×(ø50.8+ø38.1+ø31.8+ø25.4+ø16.0)+ø6.4+ø20.4
EOH364K	3×(ø2.5+ø2+ø1.5+ø1.25+ø0.79)+ø0.25+ø0.9	3×(ø63.5+ø50.8+ø38.1+ø31.75+ø20)+ø6.35+ø22.4
EOH365K	3×(ø3.5+ø3+ø2.5+ø2+ø1.57)+2×(ø0.75+ø0.5)	3×(ø88.9+ø76.2+ø63.5+ø50.8+ø40)+2×(ø19.05+ø12.7)
EOH366K	4×(ø3.5+ø3+ø2.5+ø2+ø1.57)+2×(ø0.75+ø0.5)	4×(ø88.9+ø76.2+ø63.5+ø50.8+ø40)+2×(ø19.05+ø12.7)
EOH367	Blank	Blank
EOH368	Blank	Blank

Ordering information

Steel sheet enclosed heavy duty non-fusible safety switches



EOHU361JK/RK



EOHU362JK/RK

Side operated non-fusible safety switch, black handle, NEMA 12 and 3R

Ground bus included. Cabling accessories, fuses and auxiliary contacts are to be ordered separately. Colour: ANSI 61 (light grey). Standards: UL98, UL50, NEMA KS1, CSA.

Units/catalog number = 1 piece.



EOHU363JK/RK



EOHU364JK/RK



EOHU365JK/RK



EOHU366JK/RK



EOHU367J/R



EOHU368J/R

General purpose current rating [A]	Max. Horse power rating [HP] Three phase			Auxiliary contacts max.	Cable outlets, top and bottom	Catalog number	Weight/unit [kg]
	240 V	480 V	600 V				
NEMA 12, indoor, dust-tight/watertight/driptight, circulating dust, falling dirt, dripping non-corrosive liquids							
30	10	20	30	2no+2nc	Knockouts	EOHU361JK	8
60	20	50	60	2no+2nc	Knockouts	EOHU362JK	9
100	40	75	100	2no+2nc	Knockouts	EOHU363JK	9
200	60	125	150	4no+4nc	Knockouts	EOHU364JK	18
400	125	250	350	4no+4nc	Knockouts	EOHU365JK	39
600	200	400	500	4no+4nc	Knockouts	EOHU366JK	50
800	250	500	500	2no+2nc	Blank	EOHU367J	59
1200	250	500	500	2no+2nc	Blank	EOHU368J	135
NEMA 3R, outdoor, weather-proof/rainproof, windblown rain, sleet, ice							
30	10	20	30	2no+2nc	Knockouts	EOHU361RK	8
60	20	50	60	2no+2nc	Knockouts	EOHU362RK	9
100	40	75	100	2no+2nc	Knockouts	EOHU363RK	9
200	60	125	150	4no+4nc	Knockouts	EOHU364RK	18
400	125	250	350	4no+4nc	Knockouts	EOHU365RK	39
600	200	400	500	4no+4nc	Knockouts	EOHU366RK	50
800	250	500	500	2no+2nc	Blank	EOHU367R	59
1200	250	500	500	2no+2nc	Blank	EOHU368R	135

Cable outlets, knock-outs

Catalog number	Cable entry/exit, knockouts / top and bottom [ø inch]	Cable entry/exit, knockouts / top and bottom [ø mm]
EOH361_K	3×(ø1+ø0.75+ø0.5+ø0.315)+ø0.25+2×(ø0.19)	3×(ø25.4+ø19.0+ø12.7+ø8.0)+ø6.4+2×(ø4.9)
EOH362_K	3×(ø1.25+ø1+ø0.75+ø0.5+ø0.315)+ø0.25+ø0.8	3×(ø31.8+ø25.4+ø19.0+ø12.7+ø8)+ø6.4+ø20.4
EOH363_K	2×(ø1.5+ø1.25+ø1+ø0.75+ø0.5)+ 1×(ø2+ø1.5+ø1.25+ø1+ø0.63)+ø0.25+ø0.8	2×(ø38.1+ø31.8+ø25.4+ø19.0+ø12.0)+ 1×(ø50.8+ø38.1+ø31.8+ø25.4+ø16.0)+ø6.4+ø20.4
EOH364_K	3×(ø2.5+ø2+ø1.5+ø1.25+ø0.79)+ø0.25+ø0.9	3×(ø63.5+ø50.8+ø38.1+ø31.75+ø20)+ø6.35+ø22.4
EOH365_K	3×(ø3.5+ø3+ø2.5+ø2+ø1.57)+2×(ø0.75+ø0.5)	3×(ø88.9+ø76.2+ø63.5+ø50.8+ø40)+2×(ø19.05+ø12.7)
EOH366_K	4×(ø3.5+ø3+ø2.5+ø2+ø1.57)+2×(ø0.75+ø0.5)	4×(ø88.9+ø76.2+ø63.5+ø50.8+ø40)+2×(ø19.05+ø12.7)
EOH367_	Blank	Blank
EOH368_	Blank	Blank

Ordering information

Stainless steel enclosed heavy duty non-fusible safety switches



EOHU361S/SS



EOHU362S/SS

Side operated non-fusible safety switch, black handle, NEMA 4X, Grade 304

Ground bus included. Cabling accessories, fuses and auxiliary contacts are to be ordered separately. Colour: Grade 304 stainless steel sheet enclosure. Standards: UL98, UL50, NEMA KS1, CSA. Cable outlets / top and bottom: Blank.
Units/catalog number = 1 piece.



EOHU363S/SS



EOHU364S/SS

General purpose current rating [A]	Max. Horse power rating [HP] Three phase			Auxiliary contacts max.	Cable outlets, top and bottom	Catalog number	Weight/unit [kg]
	240 V	480 V	600 V				
NEMA 4X, outdoor, watertight/raintight, splashing and hose-directed water, windblown dust, ice, corrosion resistance							
30	10	20	30	2no+2nc	Blank	EOHU361S	8
60	20	50	60	2no+2nc	Blank	EOHU362S	9
100	40	75	100	2no+2nc	Blank	EOHU363S	9
200	60	125	150	4no+4nc	Blank	EOHU364S	18
400	125	250	350	4no+4nc	Blank	EOHU365S	39
600	200	400	500	4no+4nc	Blank	EOHU366S	50
800	250	500	500	2no+2nc	Blank	EOHU367S	59
1200	250	500	500	2no+2nc	Blank	EOHU368S	135



EOHU365S/SS



EOHU366S/SS

Side operated non-fusible safety switch, black handle, NEMA 4X, Grade 316

Ground bus included. Cabling accessories, fuses and auxiliary contacts are to be ordered separately. Colour: Grade 316 stainless steel sheet enclosure. Standards: UL98, UL50, NEMA KS1, CSA. Cable outlets / top and bottom: Blank.
Units/catalog number = 1 piece.



EOHU367S/SS



EOHU368S/SS

General purpose current rating [A]	Max. Horse power rating [HP] Three phase			Auxiliary contacts max.	Cable outlets, top and bottom	Catalog number	Weight [kg]
	240 V	480 V	600 V				
NEMA 4X, outdoor, watertight/raintight, splashing and hose-directed water, windblown dust, ice, corrosion resistance							
30	10	20	30	2no+2nc	Blank	EOHU361SS	8
60	20	50	60	2no+2nc	Blank	EOHU362SS	9
100	40	75	100	2no+2nc	Blank	EOHU363SS	9
200	60	125	150	4no+4nc	Blank	EOHU364SS	18
400	125	250	350	4no+4nc	Blank	EOHU365SS	39
600	200	400	500	4no+4nc	Blank	EOHU366SS	50
800	250	500	500	2no+2nc	Blank	EOHU367SS	59
1200	250	500	500	2no+2nc	Blank	EOHU368SS	135

Accessories

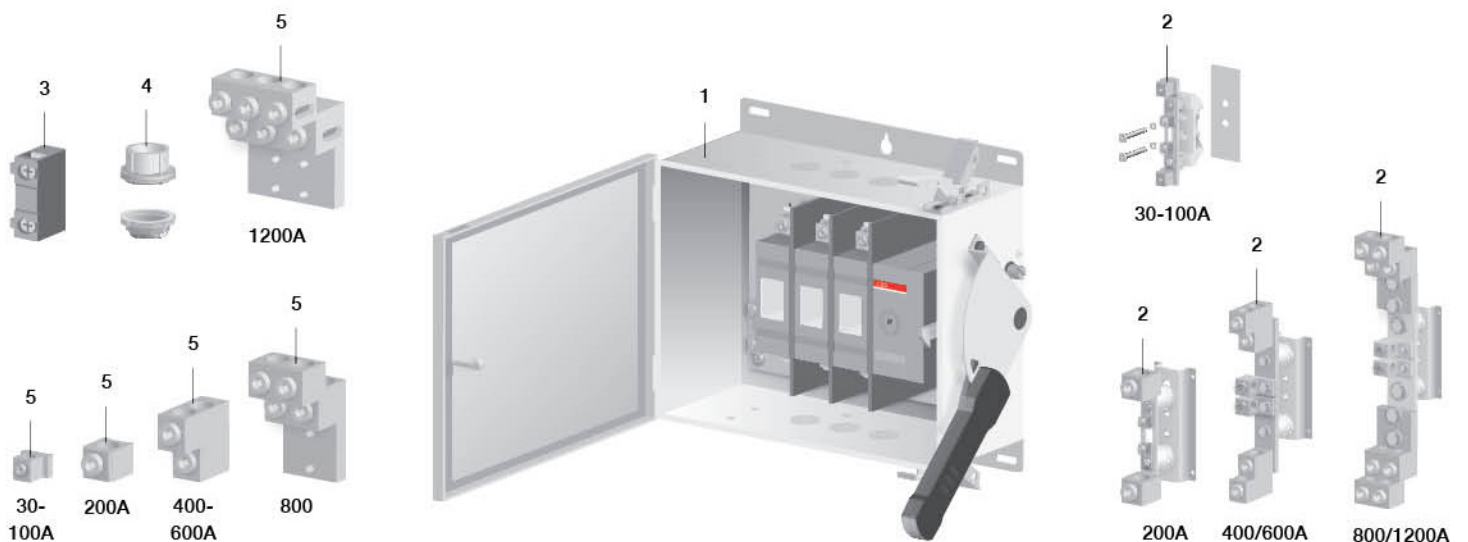
Selection overview

Fusible safety switches



1 Terminal shrouds | 2 Neutral assembly (for switch size) | 3 Auxiliary contact block | 4 Hub | 5 Rejection members | 6 Fuse clip (T 60A) | 7 Fuse mounting bolt kit (T and J fuses)

Non-fusible safety switches



1 Terminal shrouds | 2 Neutral assembly (for switch size) | 3 Auxiliary contact block | 4 Hub

Ordering information

Field-installable accessories

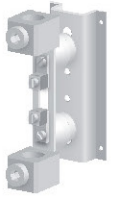


EOHXS13

Neutral assembly

Mounting screws included as standard. Units/catalog number = 1 piece.

Suitable for safety switch	Catalog number	Weight/unit [kg]
EOH/EOHU361_, 362_, 363_	EOHXS13	0.15
EOH/EOHU364_	EOHXS4	0.30
EOH/EOHU365_, 366_	EOHXS56	0.70
EOH/EOHU367_, 368_	EOHXS78	1.50



EOHXS4

Auxiliary contact blocks, IP20

Contact numbering according to EN 50013. Units/catalog number = 1 piece.

Mounting under the mechanism cover:

EOH/EOHU361_, 362_, 363_: Max. 4 auxiliary contacts

EOH/EOHU363_, 364_: Max. 8 auxiliary contacts

EOH/EOHU366_, 367_, 368_: Max. 2 auxiliary contacts (Max. 4 auxiliary contacts if the mechanism cover is not placed)



EOHXS56

Function	Catalog number	Delivery batch ²⁾ [pcs]	Weight/unit [kg]
1NO	OA1G10	10	0.03
1NO	OA1G10AU ¹⁾	10	0.03
1NC	OA3G01	10	0.03
1NC	OA3G01AU ¹⁾	10	0.03

¹⁾ Types _AU are gold plated for extremely difficult circumstances and low voltages.

²⁾ Auxiliary contacts OA1G_ are available in larger packing as well. A bulk package includes 50 switches. Catalog number: add a suffix: /B, e.g. OA1G01/B.



EOHXS78

Performance data of auxiliary contacts / IEC / NEMA

For OA1G_, OA3G_, according to IEC 60947-5-1

U _p [V]	AC15/I _p [A]	U _p [V]	DC12/I _p [A]	DC12/P [W]	DC13/I _p [A]	DC13/P [W]
230	6	24	10	240	2	50
400	4	72	4	290	0.8	60
415	4	125	2	250	0.55	70
690	2	250	0.55	140	0.27	70
		440	0.1	44		

For OA1G_, OA3G_ / IEC

U _i [V]	U _{imp} [kV]	Pollution degree	I _m [A]	Cable size [mm ²]	Maximum fuse [A]
690	4	3	16	1...2 x 0.75...2.5	16 / gG

For OA1G_, OA3G_ / NEMA

Nema ratings, AC, AC600

AC rated voltage [VAC]	AC rated thermal current [A]	AC maximum volt-ampere making [VA]	AC maximum volt-ampere breaking [VA]
600	10	7200	720

Nema ratings, DC, R300

DC rated voltage [VDC]	DC rated thermal current [A]	DC maximum make-break [VA]	Wire size [AWG]
300	1	28	18 - 14, 1(2)



OA_

Ordering information

Field-installable accessories



H_-TB



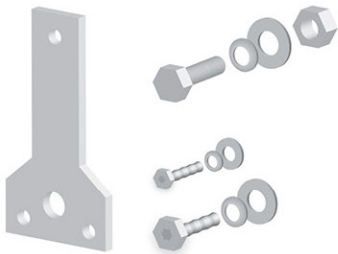
EOHRM1 R/2R



EOHRM34R/5R/6R



EOHFC2T



EOHFBK3...5



EOHFBK6

Hubs

Hexagonal/splined body design for fast, easy installation with wrench or hammer and screwdriver.
 - Hub and locknut: Zinc or copper-free aluminum. Insulating throat: Thermoplastic temp. rating – 105° C.
 - Flammability rating – 94V-0. Sealing ring: Nitrile (BUNA “N”).

Meets NEMA sealing requirements for NEMA 1 and 3R enclosures, with suffix CP and SST also rated NEMA12 and 4X. UL Listed per NEC® 501.10(B). CSA Certified for hazardous locations Class II Groups E, F, G, Class III. UL File No. E-23018 CSA File No. 4484.

Suitable for fusible and non-fusible safety switches	Conduit size [in]	Catalog number	Weight/unit [kg]
EOH/EOHU361_K, 362_K, 363_K, 365_K, 366_K	1/2	H050-TB	0.093
EOH/EOHU361_K, 362_K, 363_K, 365_K, 366_K	3/4	H075-TB	0.125
EOH/EOHU362_K, 363_K, 364_K	1 1/4	H125-TB	0.244
EOH/EOHU363_K, 364_K	1 1/2	H150-TB	0.281
EOH/EOHU363_K, 364_K, 365_K, 366_K	2	H200-TB	0.505
EOH/EOHU364_K, 365_K, 366_K	2 1/2	H250-TB	0.847
EOH/EOHU365_K, 366_K	3	H300-TB	1.052
EOH/EOHU365_K, 366_K	3 1/2	H350-TB	1.347

Rejection members

The rejection members for class R -fuse clips prevent any other class of fuses from being installed. Units/catalog number = 3 pieces.

Suitable for fusible safety switches	Suitable for fuse / size	Catalog number	Weight/unit [kg]
EOH361_	RK 30A	EOHRM1R	0.020
EOH362_	RK 60A	EOHRM2R	0.020
EOH363_, EOH364_	RK 100A, RK 200A	EOHRM34R	0.020
EOH365_	RK 400A	EOHRM5R	0.065
EOH366_	RK 600A	EOHRM6R	0.095

Fuse adapter kits

Units/catalog number = 6 pieces.

Suitable for fusible safety switches	Suitable for fuse / size	Screw size	Catalog number	Weight/unit [kg]
Fuse clip				
EOH362_	T 60 A		EOHFC2T	0.110

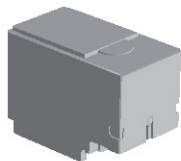
Class T-fuse mounting kits

Include the mounting bolts, allied washers and connection bars.

EOH363_	T -fuse /100 A	UNC 1/4-20x1/2"	EOHFBK3	0.535
EOH364_	T -fuse / 200 A	UNC 5/16-18x5/8"	EOHFBK4	0.905
EOH365_	T -fuse / 400 A	UNC 3/8-16x5/8"	EOHFBK5	1.525
Include the mounting bolts and allied washers				
EOH366_	J-fuse/600A	UNC7/16-14X7/8"	EOHFBK6	0.313

Ordering information

Field-installable accessories



OTS250/400G1S_



OTS400G1L_

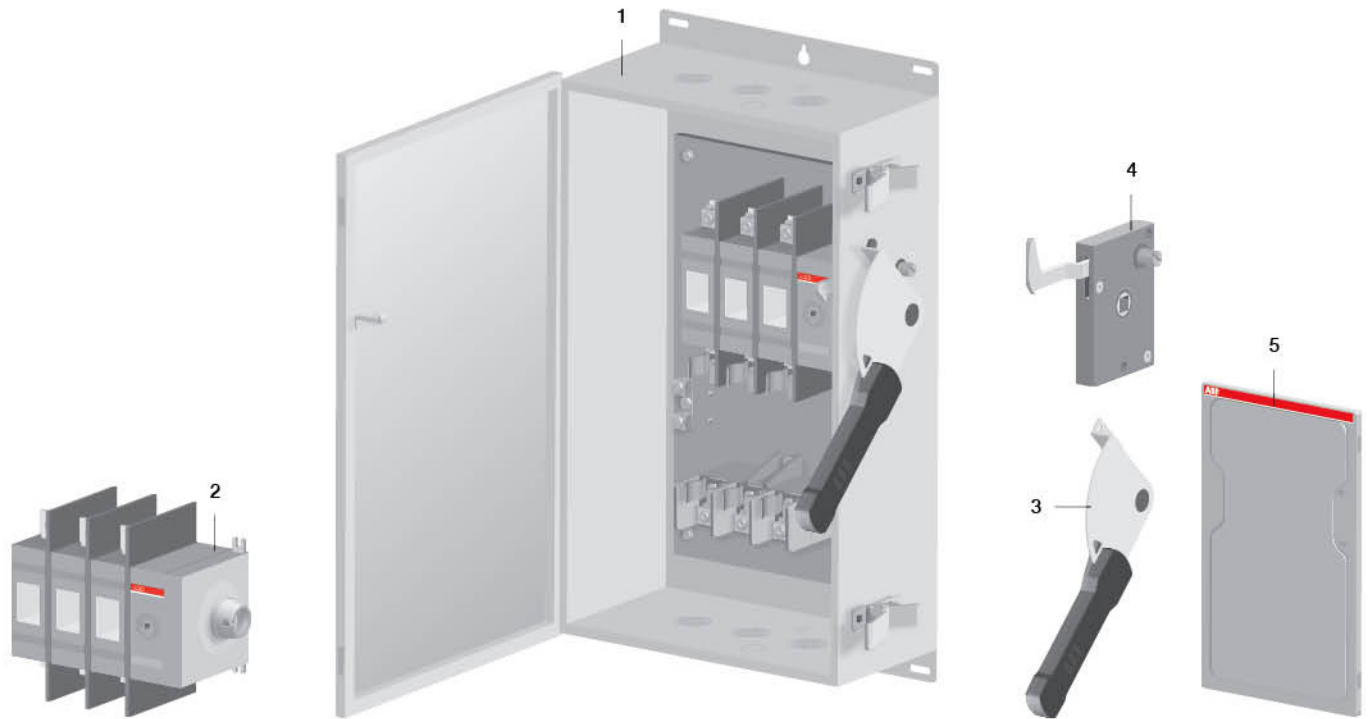
Terminal shrouds, grey plastic

Units/catalog number = 3 pieces. Snap-on mounting on the switches. Shrouds can be used on either side of the switch. Transparent shrouds available on request, please replace the letter "G" with "T".

Suitable for safety switch	Description	Catalog number	Weight/unit [kg]
For heavy duty fusible and non-fusible safety switch			
EOH/EOHU361_, 362_, 363_	Short type	OTS250G1S/3	0.06
EOH/EOHU364	Short type	OTS400G1S/3	0.10
EOH/EOHU364	Long type	OTS400G1L/3	0.15

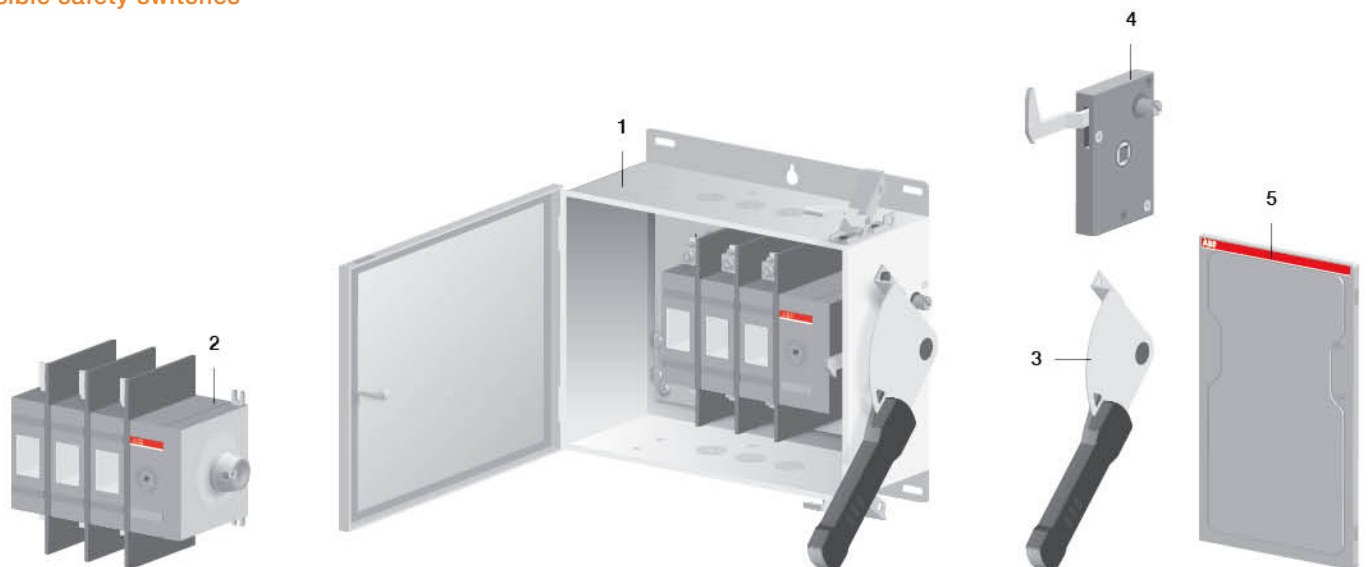
Replacement parts Selection overview

Fusible safety switches



1 Door assembly | 2 Switch-disconnect | 3 Handle kit | 4 Door interlock mechanism | 5 Line / load side lug assembly (for switch size) | 6 Fuse bases

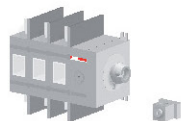
Non-fusible safety switches



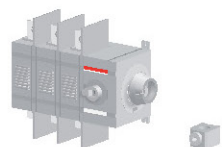
1 Door assembly | 2 Switch-disconnect | 3 Handle kit | 4 Door interlock mechanism | 5 Line / load side lug assembly (for switch size)

Ordering information

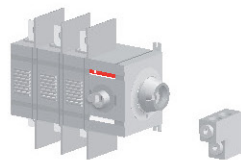
Replacement parts



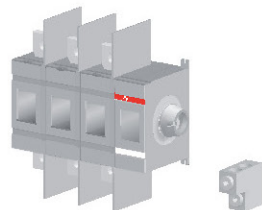
OT30/60/100US30EOHR



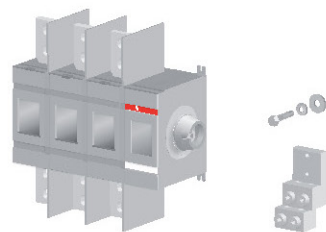
OT200US30EOHR



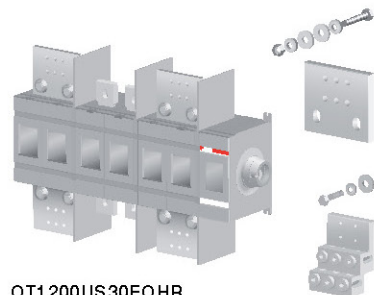
OT400US30EOHR



OT600US30EOHR



OT800US30EOHR



OT1200US30EOHR

Switch-disconnects

Includes terminal lugs, 6 pcs. Units/catalog number = 1 piece.

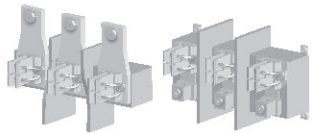
Suitable for safety switch	General purpose current rating [A]	Max. Horse power rating [HP] Three phase			Catalog number	Weight/unit [kg]
		240 V	480 V	600 V		
EOH/EOHU361_	30	10	20	30	OT30US30EOHR	1.500
EOH/EOHU362_	60	20	50	60	OT60US30EOHR	1.500
EOH/EOHU363_	100	40	75	100	OT100US30EOHR	1.500
EOH/EOHU364_	200	60	125	150	OT200US30EOHR	2.940
EOH/EOHU365_	400	150	250	350	OT400US30EOHR	6.300
EOH/EOHU366_	600	200	400	500	OT600US30EOHR	13.598
EOH/EOHU367_	800	250	500	500	OT800US30EOHR	14.780
EOH/EOHU368_	1200	250	500	500	OT1200US30EOHR	39.900

Ordering information

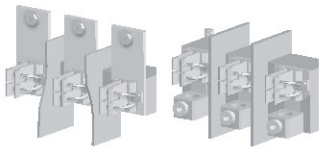
Replacement parts



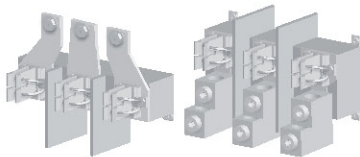
EOHFBR1/2



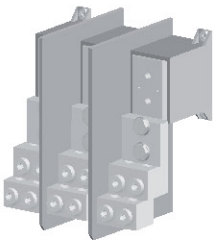
EOHFBR3LU



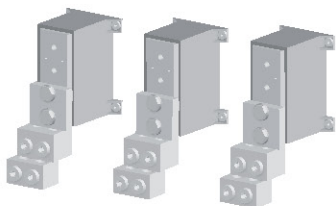
EOHFBR4LU



EOHFBK5LU/6LU



EOHFBL7



EOHFBL8

Fuse bases

Mounting screws, terminal lugs and fuse clips included as standard.

Units/catalog number = 1 piece for 3-pole switch.

Suitable for safety switch	Fuse type	Catalog number	Weight/unit [kg]
For heavy duty fusible safety switch			
EOH361_	Class H, K, R	EOHFBR1	0.415
EOH362_	Class H, K, R	EOHFBR2	0.415
EOH363_	Class H, K, R	EOHFBR3LU	0.894
EOH364_	Class H, K, R	EOHFBR4LU	1.971
EOH365_	Class H, K, R	EOHFBR5LU	4.346
EOH366_	Class H, K, R	EOHFBR6LU	6.313
EOH367_	Class L	EOHFBL7	5.555
EOH368_	Class L	EOHFBL8	5.460

Ordering information

Replacement parts



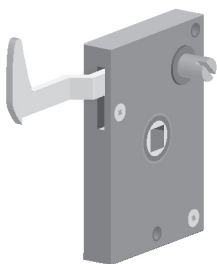
EOHH1/2/3

Handle kit

Handle, handle shield and mounting screws included as standard.

Units/catalog number = 1 piece.

Suitable for safety switch	Catalog number	Weight/unit [kg]
EOH/EOHU361, 362, 363K, JK, RK	EOHH1	0.200
EOH/EOHU364, 365, 366K, JK, RK, EOH/EOHU367, J, R	EOHH2	0.350
EOH/EOHU368, J, R	EOHH3	1.200
OH/EOHU361, 362, 363S, SS	EOHH1SS	0.300
EOH/EOHU364, 365, 366, 367S, SS	EOHH2SS	0.420
EOH/EOHU368S, SS	EOHH3SS	1.300



EOHLM_

Door interlock mechanism

Mounting screws included as standard. Units/catalog number = 1 piece.

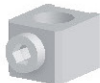
Suitable for safety switch	Catalog number	Weight/unit [kg]
EOH/EOHU361K, 362K, 363K	EOHLM1	0.150
EOH/EOHU361, 362, 363JK, RK, S, SS	EOHLM2	0.150
EOH/EOHU364JK, RK, S, SS	EOHLM3	0.150
EOH/EOHU365, 366JK, RK, S, SS, EOH/EOHU367J, R, S, SS	EOHLM4	0.150
EOH/EOHU368, EOH/EOHU368J, R	EOHLM5	0.150
EOH/EOHU365K, 366K, EOH/EOHU367	EOHLM6	0.150
EOH/EOHU364K	EOHLM7	0.150

Ordering information

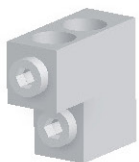
Replacement parts



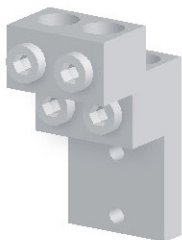
OZXA-100



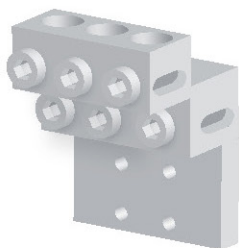
OZXA-400



OZXA-800



OZXA-1200



OZXA-1200E

Line side lug assembly

Mounting screws included as standard. Units/catalog number = 3 pieces.

Suitable for safety switch	Catalog number	Weight/unit [kg]
EOH/EOHU361_, 362_, 363_	OZXA-100/3	0.007
EOH/EOHU364_	OZXA-400/3	0.067
EOH/EOHU365_, 366_	OZXA-800/3	0.207
EOH/EOHU367_	OZXA-1200/3	0.367
EOH/EOHU368_	OZXA-1200E/3	0.717

Load side lug assembly

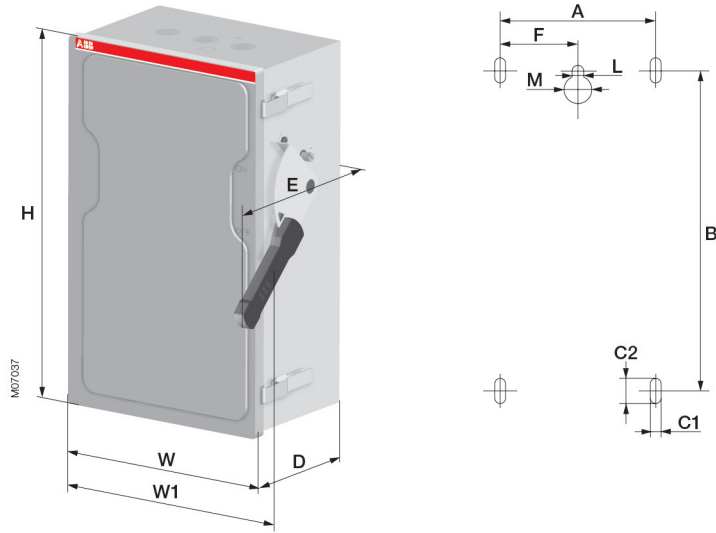
Mounting screws included as standard. Units/catalog number = 3 pieces.

Suitable for safety switch	Catalog number	Weight/unit [kg]
For heavy duty fusible safety switch		
EOH361_, 362_, 363_	OZXA-100/3	0.007
EOH364_	OZXA-400/3	0.067
EOH365_	OZXA-800E/3	0.212
EOH366_	OZXA-800/3	0.207
EOH367_, 368_	OZXA-1200/3	0.367
For heavy duty non-fusible safety switch		
EOHU361_, 362_, 363_	OZXA-100/3	0.007
EOHU364_	OZXA-400/3	0.067
EOHU365_, 366_	OZXA-800/3	0.207
EOHU367_	OZXA-1200/3	0.367
EOHU368_	OZXA-1200E/3	0.717

Dimensional drawings

Fusible safety switches

NEMA 1: 30...800 A



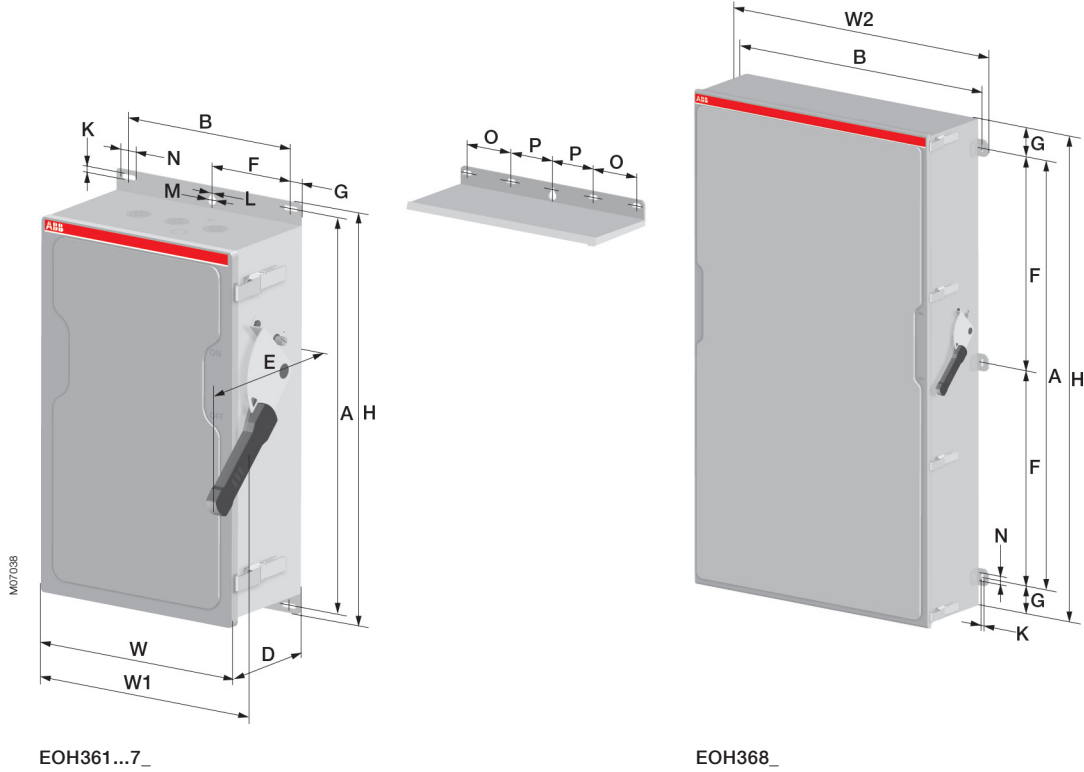
Catalog number	Size									
	H		W		W1		D		E	
	[in]	[mm]	[in]	[mm]	[in]	[mm]	[in]	[mm]	[in]	[mm]
NEMA 1 type										
EOH361K	17.99	457	12.91	328	14.41	366	6.46	164	8.70	221
EOH362K	21.3	541	12.91	328	14.41	366	6.46	164	8.70	221
EOH363K	29.33	745	12.91	328	14.41	366	6.46	164	8.70	221
EOH364K	38.39	975	17.28	439	18.54	471	7.48	190	10.28	261
EOH365K	56.06	1424	23.0	584	24.49	622	8.50	216	10.95	278
EOH366K	64.33	1634	23.0	584	24.49	622	8.50	216	11.26	286
EOH367	62.68	1592	23.0	584	24.53	623	8.50	216	11.61	295

Catalog number	Fixing dimensions						Fixing hole							
	A		B		F		C1		C2		L		M	
	[in]	[mm]	[in]	[mm]	[in]	[mm]	[in]	[mm]	[in]	[mm]	[in]	[mm]	[in]	[mm]
NEMA 1 type														
EOH361K	9.72	247	14.69	373	4.88	124	0.31	8	0.79	20	0.28	7	0.67	17
EOH362K	9.72	247	17.99	457	4.88	124	0.31	8	0.79	20	0.28	7	0.67	17
EOH363K	13.78	350	26.02	661	6.89	175	0.31	8	0.79	20	0.39	10	0.87	22
EOH364K	13.78	350	22.05	560	6.89	175	0.31	8	0.79	20	0.39	10	0.87	22
EOH365K	19.69	500	52.76	1340	9.84	250	0.31	8	0.79	20	0.51	13	0.98	25
EOH366K	19.69	500	61.02	1550	9.84	250	0.31	8	0.79	20	0.51	13	0.98	25
EOH367	19.69	500	60.32	1532	9.84	250	0.31	8	0.79	20	0.55	14	0.98	25

Dimensional drawings

Fusible safety switches

NEMA 12 / 3R: 30...1200 A,
NEMA 1: 1200 A



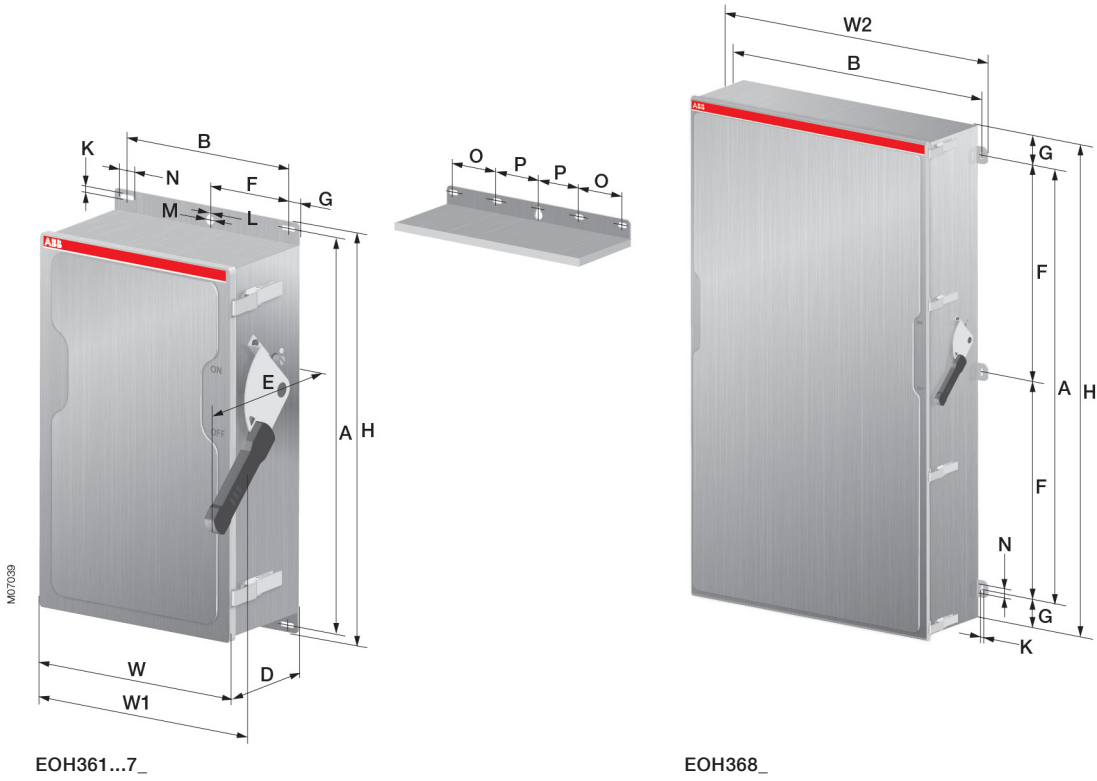
Catalog number	Size											
	H		W		W1		W2		D		E	
	[in]	[mm]	[in]	[mm]	[in]	[mm]	[in]	[mm]	[in]	[mm]	[in]	[mm]
NEMA 12 and 3R												
EOH361JK_RK	19.41	493	13.23	336	14.49	368	-	-	6.30	160	9	229
EOH362JK_RK	22.72	577	13.23	336	14.49	368	-	-	6.30	160	9	229
EOH363JK_RK	30.75	781	13.23	336	14.49	368	-	-	6.30	160	9	229
EOH364JK_RK	39.80	1011	17.28	439	18.54	471	-	-	7.36	187	9.25	235
EOH365JK_RK	58.66	1490	22.99	584	24.53	623	-	-	8.50	216	10.39	264
EOH366JK_RK	66.93	1700	22.99	584	24.53	623	-	-	8.50	216	11.61	295
EOH367J_R	66.61	1692	22.99	584	24.53	623	-	-	8.50	216	11.61	295
EOH368J_R	68.90	1750	39.96	1015	41.77	1061	43.11	1095	12.60	320	14.76	375
NEMA 1												
EOH368	68.90	1750	39.96	1015	41.77	1061	43.11	1095	12.60	320	14.76	375

Catalog number	Fixing dimensions										Fixing hole									
	A		B		F		O		P		G		N		K		L		M	
	[in]	[mm]	[in]	[mm]	[in]	[mm]	[in]	[mm]	[in]	[mm]	[in]	[mm]	[in]	[mm]	[in]	[mm]	[in]	[mm]	[in]	[mm]
NEMA 12 and 3R																				
EOH361JK_RK	18.62	473	10.59	269	5.28	134	-	-	-	-	1.10	28	0.83	21	0.35	9	0.35	9	0.75	19
EOH362JK_RK	21.93	557	10.59	269	5.28	134	-	-	-	-	1.10	28	0.83	21	0.35	9	0.35	9	0.75	19
EOH363JK_RK	29.96	761	10.59	269	5.28	134	-	-	-	-	1.10	28	0.83	21	0.35	9	0.35	9	0.75	19
EOH364JK_RK	39.02	991	14.65	372	7.32	186	-	-	-	-	1.18	30	0.83	21	0.35	9	0.35	9	0.75	19
EOH365JK_RK	57.48	1460	20.16	512	10.08	256	5.20	132	4.82	122.5	1.00	25.5	1.14	29	0.55	14	0.55	14	0.98	25
EOH366JK_RK	65.75	1670	20.16	512	10.08	256	5.20	132	4.82	122.5	1.00	25.5	1.14	29	0.55	14	0.55	14	0.98	25
EOH367J_R	65.43	1662	20.16	512	10.08	256	5.20	132	4.82	122.5	1.00	25.5	1.14	29	0.55	14	0.55	14	0.98	25
EOH368J_R	60.95	1548	41.14	1045	30.47	774	-	-	-	-	3.98	101	1.18	30	0.39	10	-	-	-	-
NEMA 1																				
EOH368	60.95	1548	41.14	1045	30.47	774	-	-	-	-	3.98	101	1.18	30	0.39	10	-	-	-	-

Dimensional drawings

Fusible safety switches

NEMA 4X: 30...1200 A



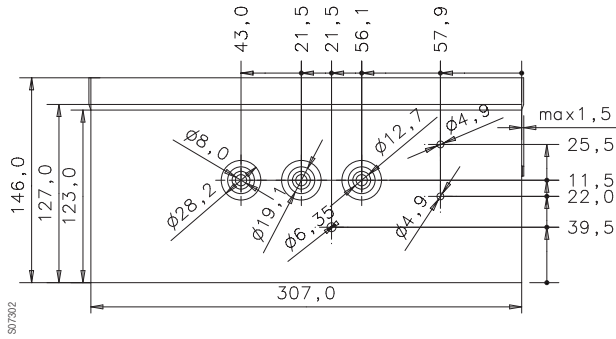
Catalog number	Size											
	H		W		W1		W2		D		E	
	[in]	[mm]	[in]	[mm]	[in]	[mm]	[in]	[mm]	[in]	[mm]	[in]	[mm]
EOH361S,_SS	19.41	493	13.23	336	14.49	368	-	-	6.30	160	9	229
EOH362S,_SS	22.72	577	13.23	336	14.49	368	-	-	6.30	160	9	229
EOH363S,_SS	30.75	781	13.23	336	14.49	368	-	-	6.30	160	9	229
EOH364S,_SS	39.80	1011	17.28	439	18.54	471	-	-	7.36	187	9.25	235
EOH365S,_SS	58.66	1490	22.99	584	24.53	623	-	-	8.50	216	10.39	264
EOH366S,_SS	66.93	1700	22.99	584	24.53	623	-	-	8.50	216	11.61	295
EOH367S,_SS	66.61	1692	22.99	584	24.53	623	-	-	8.50	216	11.61	295
EOH368S,_SS	68.90	1750	39.96	1015	41.77	1061	43.11	1095	12.60	320	14.76	375

Catalog number	Fixing dimensions										Fixing hole									
	A		B		F		O		P		G		N		K		L		M	
	[in]	[mm]	[in]	[mm]	[in]	[mm]	[in]	[mm]	[in]	[mm]	[in]	[mm]	[in]	[mm]	[in]	[mm]	[in]	[mm]	[in]	[mm]
EOH361S,_SS	18.62	473	10.59	269	5.28	134	-	-	-	-	1.10	28	0.83	21	0.35	9	0.35	9	0.75	19
EOH362S,_SS	21.93	557	10.59	269	5.28	134	-	-	-	-	1.10	28	0.83	21	0.35	9	0.35	9	0.75	19
EOH363S,_SS	29.96	761	10.59	269	5.28	134	-	-	-	-	1.10	28	0.83	21	0.35	9	0.35	9	0.75	19
EOH364S,_SS	39.02	991	14.65	372	7.32	186	-	-	-	-	1.18	30	0.83	21	0.35	9	0.35	9	0.75	19
EOH365S,_SS	57.48	1460	20.16	512	10.08	256	5.20	132	4.82	122.5	1.00	25.5	1.14	29	0.55	14	0.55	14	0.98	25
EOH366S,_SS	65.75	1670	20.16	512	10.08	256	5.20	132	4.82	122.5	1.00	25.5	1.14	29	0.55	14	0.55	14	0.98	25
EOH367S,_SS	65.43	1662	20.16	512	10.08	256	5.20	132	4.82	122.5	1.00	25.5	1.14	29	0.55	14	0.55	14	0.98	25
EOH368S,_SS	60.95	1548	41.14	1045	30.47	774	-	-	-	-	3.98	101	1.18	30	0.39	10	-	-	-	-

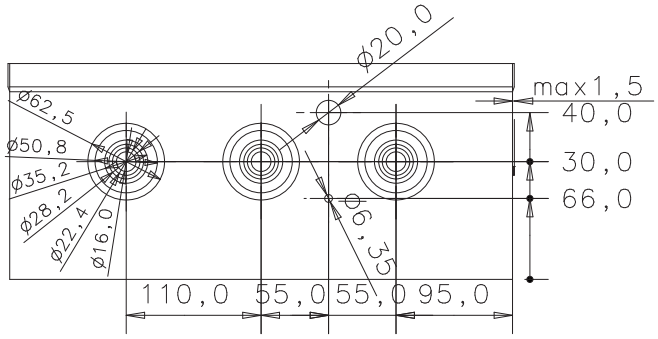
Dimensional drawings

Fusible safety switches, cable outlets / knockouts

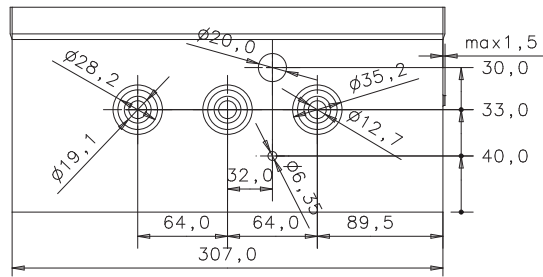
EOH361K, EOH361JK, EOH361RK



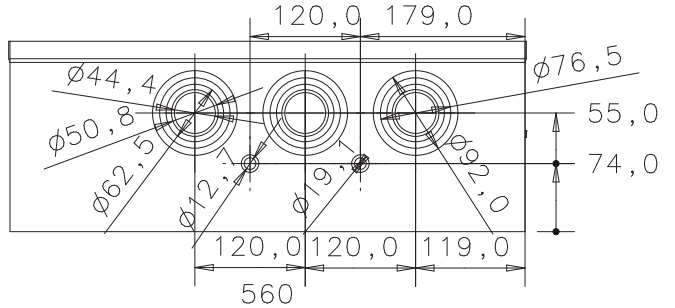
EOH364K, EOH364JK, EOH364RK



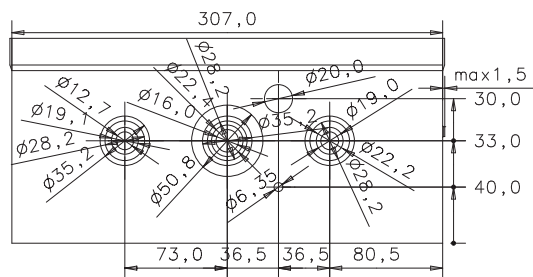
EOH362K, EOH362JK, EOH362RK



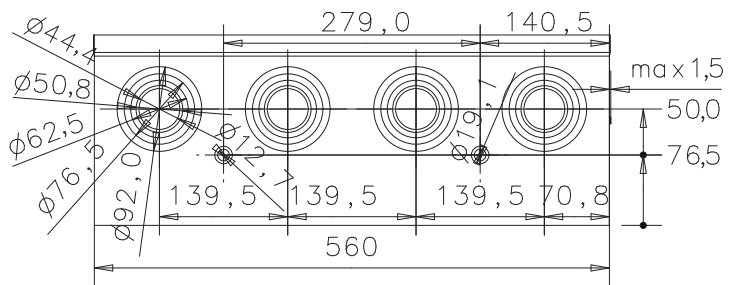
EOH365K, EOH365JK, EOH365RK



EOH363K, EOH363JK, EOH363RK



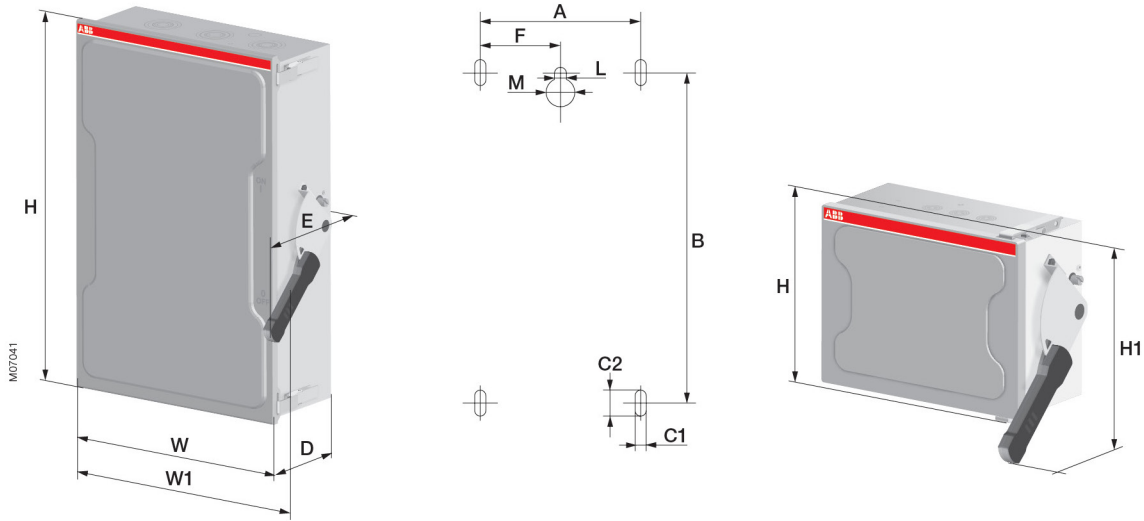
EOH366K, EOH366JK, EOH366RK



Dimensional drawings

Non-fusible safety switches

NEMA 1: 30...800 A



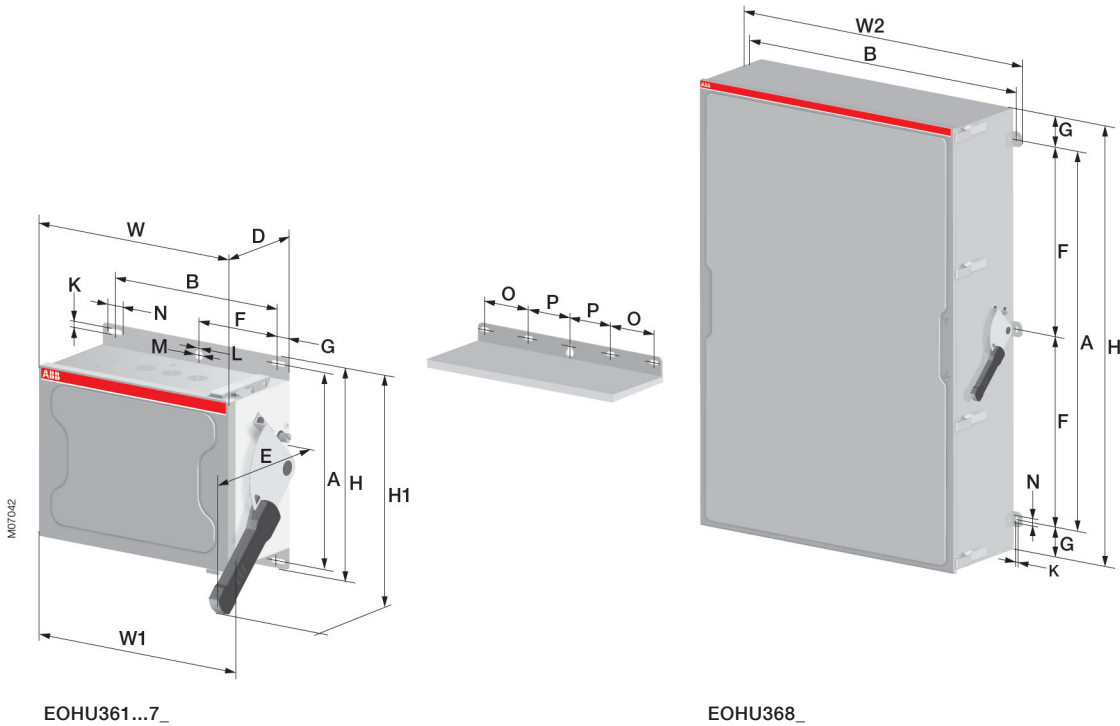
Catalog number	Size											
	H		H1		W		W1		D		E	
	[in]	[mm]	[in]	[mm]	[in]	[mm]	[in]	[mm]	[in]	[mm]	[in]	[mm]
NEMA 1 type												
EOHU361K	10.59	269	11.93	303	12.80	325	14.49	368	6.34	161	8.70	221
EOHU362K	12.72	323	12.99	330	12.80	325	14.49	368	6.34	161	8.70	221
EOHU363K	15.67	398	-	-	12.80	325	14.49	368	6.34	161	8.70	221
EOHU364K	25.35	644	-	-	17.28	439	18.54	471	7.48	190	10.28	261
EOHU365K	40.91	1039	-	-	22.99	584	24.53	623	8.78	223	10.83	275
EOHU366K	47.40	1204	-	-	22.99	584	24.53	623	8.78	223	10.83	286
EOHU367	55.12	1322	-	-	22.99	584	24.53	623	8.50	216	11.61	295

Catalog number	Fixing dimensions						Fixing hole							
	A		B		F		C1		C2		L		M	
	[in]	[mm]	[in]	[mm]	[in]	[mm]	[in]	[mm]	[in]	[mm]	[in]	[mm]	[in]	[mm]
NEMA 1 type														
EOHU361K	9.09	230	6.81	173	4.88	124	0.31	8	0.79	20	0.28	7	0.67	17
EOHU362K	9.09	230	9.41	239	4.88	124	0.31	8	0.79	20	0.28	7	0.67	17
EOHU363K	9.09	230	11.57	294	4.88	124	0.31	8	0.79	20	0.28	7	0.67	17
EOHU364K	13.78	350	22.05	560	6.90	175	0.31	8	0.79	20	0.39	10	0.87	22
EOHU365K	19.69	500	37.60	955	9.84	250	0.31	8	0.79	20	1.56	14.3	0.98	25
EOHU366K	19.69	500	44.09	1120	9.84	250	0.31	8	0.79	20	1.56	14.3	0.98	25
EOHU367	19.69	500	48.82	1240	9.84	250	0.31	8	0.79	20	1.56	14.3	0.98	25

Dimensional drawings

Non-fusible safety switches

NEMA 12 / 3R: 30...1200 A,
NEMA 1: 1200 A



EOHU361...7_

EOHU368_

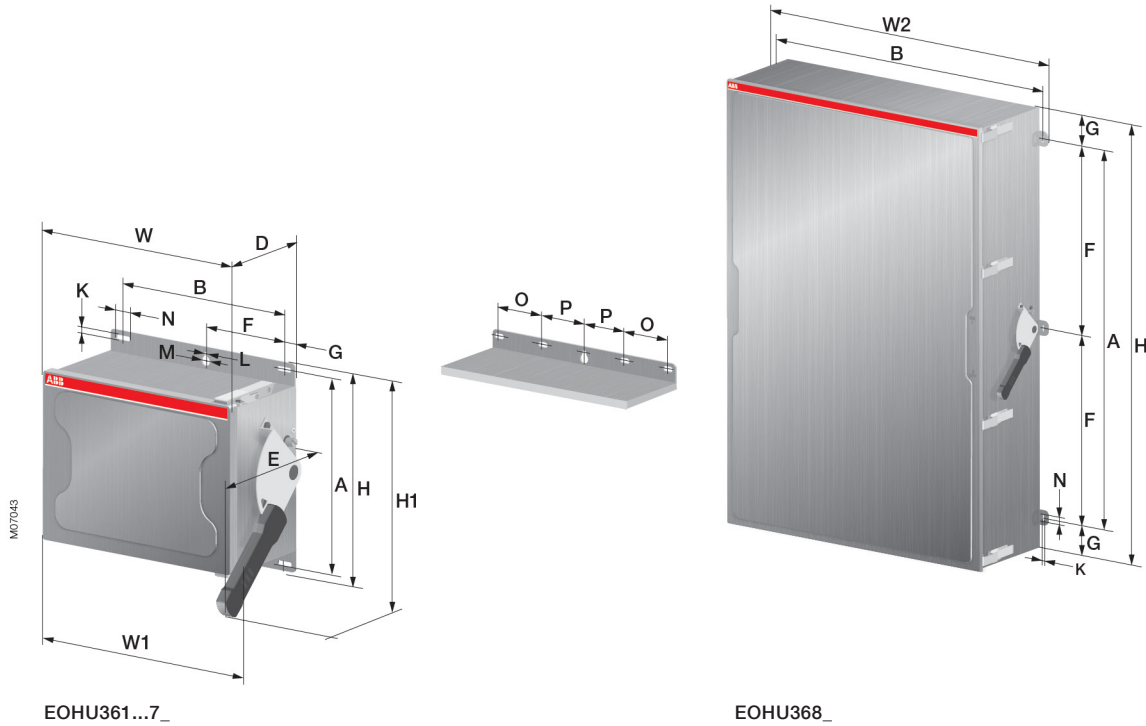
Catalog number	Size													
	H		H1		W		W1		W2		D		E	
	[in]	[mm]	[in]	[mm]	[in]	[mm]	[in]	[mm]	[in]	[mm]	[in]	[mm]	[in]	[mm]
NEMA 12 and 3R														
EOHU361JK_RK	11.54	293	12.40	315	12.80	325	14.49	368	-	-	6.14	156	8.70	221
EOHU362JK_RK	14.13	359	13.74	349	12.80	325	14.49	368	-	-	6.14	156	8.70	221
EOHU363JK_RK	17.32	440	-	-	12.80	325	14.49	368	-	-	6.14	156	8.70	221
EOHU364JK_RK	26.77	680	-	-	17.01	432	19.09	485	-	-	7.36	187	10.16	258
EOHU365JK_RK	42.72	1085	-	-	23.0	584	24.53	623	-	-	8.50	216	11.61	295
EOHU366JK_RK	50.39	1280	-	-	23.0	584	24.53	623	-	-	8.50	216	11.61	295
EOHU367J_R	55.12	1400	-	-	23.0	584	24.53	623	-	-	8.50	216	11.61	295
EOHU368J_R	57.48	1460	-	-	40.32	1024	41.89	1064	43.11	1095	12.56	319	14.76	375
NEMA 1														
EOHU368	57.48	1460	-	-	40.32	1024	41.89	1064	43.11	1095	12.56	319	14.76	375

Catalog number	Fixing dimensions										Fixing hole									
	A		B		F		O		P		G		N		K		L		M	
	[in]	[mm]	[in]	[mm]	[in]	[mm]	[in]	[mm]	[in]	[mm]	[in]	[mm]	[in]	[mm]	[in]	[mm]	[in]	[mm]	[in]	[mm]
NEMA 12 and 3R																				
EOHU361JK_RK	10.75	273	10.59	269	5.28	134	-	-	-	-	1.10	28	0.83	21	0.35	9	0.35	9	0.75	19
EOHU362JK_RK	13.35	339	10.59	269	5.28	134	-	-	-	-	1.10	28	0.83	21	0.35	9	0.35	9	0.75	19
EOHU363JK_RK	16.69	424	10.59	269	5.28	134	-	-	-	-	1.10	28	0.83	21	0.35	9	0.35	9	0.75	19
EOHU364JK_RK	25.98	660	14.65	372	7.32	186	-	-	-	-	0.87	22	0.83	21	0.35	9	0.35	9	0.75	19
EOHU365JK_RK	42.32	1075	20.16	512	10.08	256	5.2	132	4.88	124	1.00	25.5	1.14	29	0.55	14	0.55	14	0.98	25
EOHU366JK_RK	49.21	1250	20.16	512	10.08	256	5.2	132	4.88	124	1.00	25.5	1.14	29	0.55	14	0.55	14	0.98	25
EOHU367J_R	53.94	1370	20.16	512	10.08	256	5.2	132	4.88	124	1.00	25.5	1.14	29	0.55	14	0.55	14	0.98	25
EOHU368J_R	50.32	1278	41.34	1050	25.16	639	-	-	-	-	3.58	91	1.18	30	0.39	10	-	-	-	-
NEMA 1																				
EOHU368	50.32	1278	41.34	1050	25.16	639	-	-	-	-	3.58	91	1.18	30	0.39	10	-	-	-	-

Dimensional drawings

Non-fusible safety switches

NEMA 4X: 30...1200 A



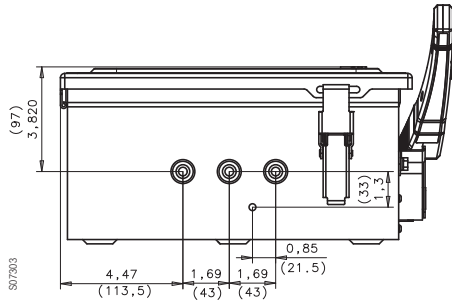
Catalog number	Size													
	H		H1		W		W1		W2		D		E	
	[in]	[mm]	[in]	[mm]	[in]	[mm]	[in]	[mm]	[in]	[mm]	[in]	[mm]	[in]	[mm]
EOHU361S_SS	11.54	293	12.40	315	12.80	336	14.49	368	-	-	6.14	160	8.70	229
EOHU362S_SS	14.13	359	13.74	349	12.80	336	14.49	368	-	-	6.14	160	8.70	229
EOHU363S_SS	17.32	440	-	-	12.80	336	14.49	368	-	-	6.14	160	8.70	229
EOHU364S_SS	26.77	680	-	-	17.01	432	19.09	485	-	-	7.36	187	10.16	258
EOHU365S_SS	42.72	1085	-	-	23.0	584	24.53	623	-	-	8.50	216	11.61	295
EOHU366S_SS	50.39	1280	-	-	23.0	584	24.53	623	-	-	8.50	216	11.61	295
EOHU367S_SS	55.12	1400	-	-	23.0	584	24.53	623	-	-	8.50	216	11.61	295
EOHU368S_SS	57.48	1460	-	-	40.32	1024	41.89	1064	43.11	1095	12.56	319	14.76	375

Catalog number	Fixing dimensions										Fixing hole									
	A		B		F		O		P		G		N		K		L		M	
	[in]	[mm]	[in]	[mm]	[in]	[mm]	[in]	[mm]	[in]	[mm]	[in]	[mm]	[in]	[mm]	[in]	[mm]	[in]	[mm]	[in]	[mm]
EOHU361S_SS	10.75	273	10.59	269	5.28	134	-	-	-	-	1.10	28	0.83	21	0.35	9	0.35	9	0.75	19
EOHU362S_SS	13.35	339	10.59	269	5.28	134	-	-	-	-	1.10	28	0.83	21	0.35	9	0.35	9	0.75	19
EOHU363S_SS	16.69	424	10.59	269	5.28	134	-	-	-	-	1.10	28	0.83	21	0.35	9	0.35	9	0.75	19
EOHU364S_SS	25.98	660	14.65	372	7.32	186	-	-	-	-	0.87	22	0.83	21	0.35	9	0.35	9	0.75	19
EOHU365S_SS	42.32	1075	20.16	512	10.08	256	5.2	132	4.88	124	1.00	25.5	1.14	29	0.55	14	0.55	14	0.98	25
EOHU366S_SS	49.21	1250	20.16	512	10.08	256	5.2	132	4.88	124	1.00	25.5	1.14	29	0.55	14	0.55	14	0.98	25
EOHU367S_SS	53.94	1370	20.16	512	10.08	256	5.2	132	4.88	124	1.00	25.5	1.14	29	0.55	14	0.55	14	0.98	25
EOHU368S_SS	50.32	1278	41.34	1050	25.16	639	-	-	-	-	3.58	91	1.18	30	0.39	10	-	-	-	-

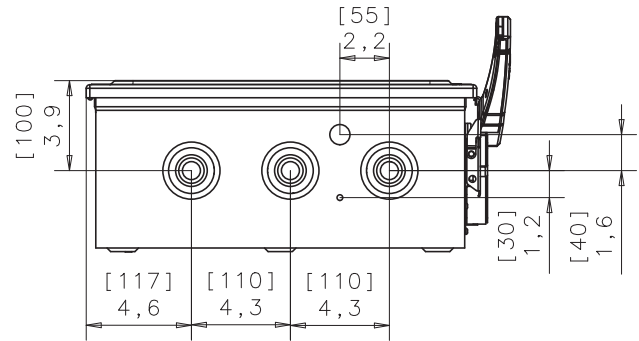
Dimensional drawings

Non-fusible safety switches, cable outlets / knockouts

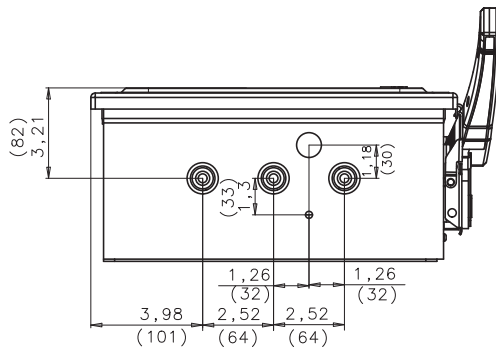
EOHU361K, EOHU361JK, EOHU361RK



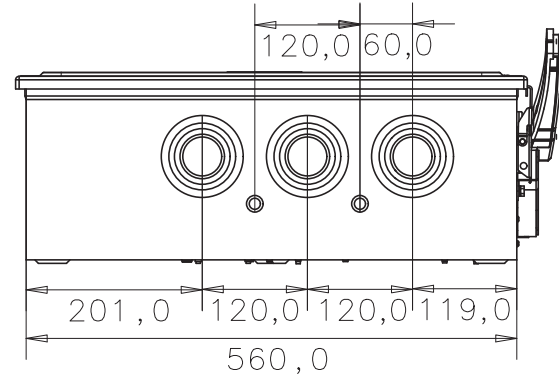
EOHU364K, EOHU364JK, EOHU364RK



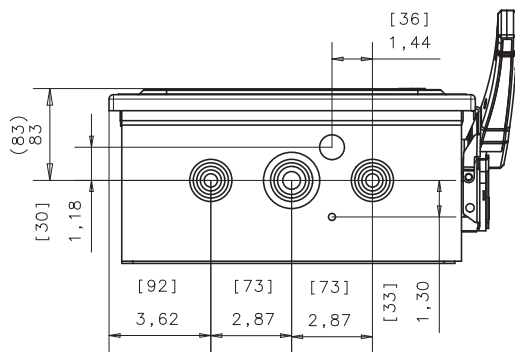
EOHU362K, EOHU362JK, EOHU362RK



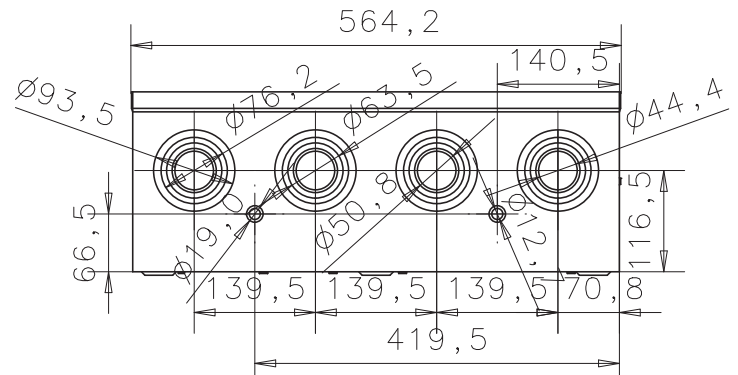
EOHU365K, EOHU365JK, EOHU365RK



EOHU363K, EOHU363JK, EOHU363RK



EOHU366K, EOHU366JK, EOHU366RK



Index

Type	Description	Page
EOH361JK	Side operated fusible safety switch, steel sheet enclosed, NEMA 12	18
EOH361K	Side operated fusible safety switch, steel sheet enclosed, NEMA 1	17
EOH361RK	Side operated fusible safety switch, steel sheet enclosed, NEMA 3R	18
EOH361S	Side operated fusible safety switch, stainless steel enclosed, NEMA 4X, grade 304	19
EOH361SS	Side operated fusible safety switch, stainless steel enclosed, NEMA 4X, grade 316	19
EOH362JK	Side operated fusible safety switch, steel sheet enclosed, NEMA 12	18
EOH362K	Side operated fusible safety switch, steel sheet enclosed, NEMA 1	17
EOH362RK	Side operated fusible safety switch, steel sheet enclosed, NEMA 3R	18
EOH362S	Side operated fusible safety switch, stainless steel enclosed, NEMA 4X, grade 304	19
EOH362SS	Side operated fusible safety switch, stainless steel enclosed, NEMA 4X, grade 316	19
EOH363JK	Side operated fusible safety switch, steel sheet enclosed, NEMA 12	18
EOH363K	Side operated fusible safety switch, steel sheet enclosed, NEMA 1	17
EOH363RK	Side operated fusible safety switch, steel sheet enclosed, NEMA 3R	18
EOH363S	Side operated fusible safety switch, stainless steel enclosed, NEMA 4X, grade 304	19
EOH363SS	Side operated fusible safety switch, stainless steel enclosed, NEMA 4X, grade 316	19
EOH364JK	Side operated fusible safety switch, steel sheet enclosed, NEMA 12	18
EOH364K	Side operated fusible safety switch, steel sheet enclosed, NEMA 1	17
EOH364RK	Side operated fusible safety switch, steel sheet enclosed, NEMA 3R	18
EOH364S	Side operated fusible safety switch, stainless steel enclosed, NEMA 4X, grade 304	19
EOH364SS	Side operated fusible safety switch, stainless steel enclosed, NEMA 4X, grade 316	19
EOH365JK	Side operated fusible safety switch, steel sheet enclosed, NEMA 12	18
EOH365K	Side operated fusible safety switch, steel sheet enclosed, NEMA 1	17
EOH365RK	Side operated fusible safety switch, steel sheet enclosed, NEMA 3R	18
EOH365S	Side operated fusible safety switch, stainless steel enclosed, NEMA 4X, grade 304	19

Type	Description	Page
EOH365SS	Side operated fusible safety switch, stainless steel enclosed, NEMA 4X, grade 316	19
EOH366JK	Side operated fusible safety switch, steel sheet enclosed, NEMA 12	18
EOH366K	Side operated fusible safety switch, steel sheet enclosed, NEMA 1	17
EOH366RK	Side operated fusible safety switch, steel sheet enclosed, NEMA 3R	18
EOH366S	Side operated fusible safety switch, stainless steel enclosed, NEMA 4X, grade 304	19
EOH366SS	Side operated fusible safety switch, stainless steel enclosed, NEMA 4X, grade 316	19
EOH367	Side operated fusible safety switch, steel sheet enclosed, NEMA 1	17
EOH367J	Side operated fusible safety switch, steel sheet enclosed, NEMA 12	18
EOH367R	Side operated fusible safety switch, steel sheet enclosed, NEMA 3R	18
EOH367S	Side operated fusible safety switch, stainless steel enclosed, NEMA 4X, grade 304	19
EOH367SS	Side operated fusible safety switch, stainless steel enclosed, NEMA 4X, grade 316	19
EOH368	Side operated fusible safety switch, steel sheet enclosed, NEMA 1	17
EOH368J	Side operated fusible safety switch, steel sheet enclosed, NEMA 12	18
EOH368R	Side operated fusible safety switch, steel sheet enclosed, NEMA 3R	18
EOH368S	Side operated fusible safety switch, stainless steel enclosed, NEMA 4X, grade 304	19
EOH368SS	Side operated fusible safety switch, stainless steel enclosed, NEMA 4X, grade 316	19
EOHFBK3	Class T-fuse mounting kit	25
EOHFBK4	Class T-fuse mounting kit	25
EOHFBK5	Class T-fuse mounting kit	25
EOHFBK6	Class T-fuse mounting kit	25
EOHFBL7	Fuse base	29
EOHFBL8	Fuse base	29
EOHFBR1	Fuse base	29
EOHFBR2	Fuse base	29
EOHFBR3LU	Fuse base	29
EOHFBR4LU	Fuse base	29
EOHFBR5LU	Fuse base	29
EOHFBR6LU	Fuse base	29
EOHFC2T	Fuse clip	25
EOHH1	Handle kit	30
EOHH2	Handle kit	30
EOHH3	Handle kit	30

Type	Description	Page
EOHH1SS	Handle kit	30
EOHH2SS	Handle kit	30
EOHH3SS	Handle kit	30
EOHLM1	Door interlock mechanism	30
EOHLM2	Door interlock mechanism	30
EOHLM3	Door interlock mechanism	30
EOHLM4	Door interlock mechanism	30
EOHLM5	Door interlock mechanism	30
EOHLM6	Door interlock mechanism	30
EOHLM7	Door interlock mechanism	30
EOHRM1R	Rejection member	25
EOHRM2R	Rejection member	25
EOHRM34R	Rejection member	25
EOHRM5R	Rejection member	25
EOHRM6R	Rejection member	25
EOHU361JK	Side operated non-fusible safety switch, steel sheet enclosed, NEMA 12	21
EOHU361K	Side operated non-fusible safety switch, steel sheet enclosed, NEMA 1	20
EOHU361RK	Side operated non-fusible safety switch, steel sheet enclosed, NEMA 3R	21
EOHU361S	Side operated non-fusible safety switch, stainless steel enclosed, NEMA 4X, grade 304	22
EOHU361SS	Side operated non-fusible safety switch, stainless steel enclosed, NEMA 4X, grade 316	22
EOHU362JK	Side operated non-fusible safety switch, steel sheet enclosed, NEMA 12	21
EOHU362K	Side operated non-fusible safety switch, steel sheet enclosed, NEMA 1	20
EOHU362RK	Side operated non-fusible safety switch, steel sheet enclosed, NEMA 3R	21
EOHU362S	Side operated non-fusible safety switch, stainless steel enclosed, NEMA 4X, grade 304	22
EOHU362SS	Side operated non-fusible safety switch, stainless steel enclosed, NEMA 4X, grade 316	22
EOHU363JK	Side operated non-fusible safety switch, steel sheet enclosed, NEMA 12	21
EOHU363K	Side operated non-fusible safety switch, steel sheet enclosed, NEMA 1	20
EOHU363RK	Side operated non-fusible safety switch, steel sheet enclosed, NEMA 3R	21
EOHU363S	Side operated non-fusible safety switch, stainless steel enclosed, NEMA 4X, grade 304	22
EOHU363SS	Side operated non-fusible safety switch, stainless steel enclosed, NEMA 4X, grade 316	22
EOHU364JK	Side operated non-fusible safety switch, steel sheet enclosed, NEMA 12	21
EOHU364K	Side operated non-fusible safety switch, steel sheet enclosed, NEMA 1	20
EOHU364RK	Side operated non-fusible safety switch, steel sheet enclosed, NEMA 3R	21
EOHU364S	Side operated non-fusible safety switch, stainless steel enclosed, NEMA 4X, grade 304	22
EOHU364SS	Side operated non-fusible safety switch, stainless steel enclosed, NEMA 4X, grade 316	22
EOHU365JK	Side operated non-fusible safety switch, steel sheet enclosed, NEMA 12	21

Type	Description	Page
EOHU365K	Side operated non-fusible safety switch, steel sheet enclosed, NEMA 1	20
EOHU365RK	Side operated non-fusible safety switch, steel sheet enclosed, NEMA 3R	21
EOHU365S	Side operated non-fusible safety switch, stainless steel enclosed, NEMA 4X, grade 304	22
EOHU365SS	Side operated non-fusible safety switch, stainless steel enclosed, NEMA 4X, grade 316	22
EOHU366JK	Side operated non-fusible safety switch, steel sheet enclosed, NEMA 12	21
EOHU366K	Side operated non-fusible safety switch, steel sheet enclosed, NEMA 1	20
EOHU366RK	Side operated non-fusible safety switch, steel sheet enclosed, NEMA 3R	21
EOHU366S	Side operated non-fusible safety switch, stainless steel enclosed, NEMA 4X, grade 304	22
EOHU366SS	Side operated non-fusible safety switch, stainless steel enclosed, NEMA 4X, grade 316	22
EOHU367	Side operated non-fusible safety switch, steel sheet enclosed, NEMA 1	20
EOHU367J	Side operated non-fusible safety switch, steel sheet enclosed, NEMA 12	21
EOHU367R	Side operated non-fusible safety switch, steel sheet enclosed, NEMA 3R	21
EOHU367S	Side operated non-fusible safety switch, stainless steel enclosed, NEMA 4X, grade 304	22
EOHU367SS	Side operated non-fusible safety switch, stainless steel enclosed, NEMA 4X, grade 316	22
EOHU368	Side operated non-fusible safety switch, steel sheet enclosed, NEMA 1	20
EOHU368J	Side operated non-fusible safety switch, steel sheet enclosed, NEMA 12	21
EOHU368R	Side operated non-fusible safety switch, steel sheet enclosed, NEMA 3R	21
EOHU368S	Side operated non-fusible safety switch, stainless steel enclosed, NEMA 4X, grade 304	22
EOHU368SS	Side operated non-fusible safety switch, stainless steel enclosed, NEMA 4X, grade 316	22
EOXSN13	Neutral assembly	24
EOXSN4	Neutral assembly	24
EOXSN56	Neutral assembly	24
EOXSN78	Neutral assembly	24
H050-TB	Hub	25
H075-TB	Hub	25
H125-TB	Hub	25
H150-TB	Hub	25
H200-TB	Hub	25
H250-TB	Hub	25
H300-TB	Hub	25
H350-TB	Hub	25
OA1G10	Auxiliary contact block	24
OA1G10AU	Auxiliary contact block	24
OA3G01	Auxiliary contact block	24
OA3G01AU	Auxiliary contact block	24
OT100US30E0HR	Switch-disconnect	28
OT1200U-S30E0HR	Switch-disconnect	28

Type	Description	Page
OT200US30EOHR	Switch-disconnect	28
OT30US30EOHR	Switch-disconnect	28
OT400US30EOHR	Switch-disconnect	28
OT600US30EOHR	Switch-disconnect	28
OT60US30EOHR	Switch-disconnect	28
OT800US30EOHR	Switch-disconnect	28
OTS250G1S/3	Therminal shroud	26
OTS400G1L/3	Therminal shroud	26
OTS400G1S/3	Therminal shroud	26
OZXA-100/3	Lug assembly	31
OZXA-1200/3	Lug assembly	31
OZXA-1200E/3	Lug assembly	31
OZXA-400/3	Lug assembly	31
OZXA-800/3	Lug assembly	31
OZXA-800E/3	Lug assembly	31

Contact us

ABB Inc. / USA

Low Voltage Control Products

16250 W Glendale Drive
New Berlin, WI 53151
Phone: 888-385-1221
Fax: 800-726-1441

USA Technical Support & Customer Service:

888-385-1221, Option 4
7:30AM to 5:30PM, CST, Monday - Friday
E-Mail: lvps.support@us.abb.com

www.abb.us/lowvoltage

ABB Inc. / CANADA

Low Voltage Products

2117 32nd Avenue
Lachine QC H8T 3J1
Canada

Tel.: 514-420-3100
1-800-567-0283

Technical support: lvps.support@ca.abb.com

www.abb.ca/lowvoltage

Note: We reserve the right to make technical changes or modify the contents of this document without prior notice. With regard to purchase orders, the agreed particulars shall prevail. ABB does not accept any responsibility whatsoever for potential errors or possible lack of information in this document.

We reserve all rights in this document and in the subject matter and illustrations contained therein. Any reproduction, disclosure to third parties or utilization of its contents – in whole or in parts – is forbidden without prior written consent of ABB.